

*Midway's*

GAME NO. 569  
MAY, 1974

# TWIN PIRATE

## PARTS CATALOG



**MIDWAY MFG. CO.**  
10750 WEST GRAND AVENUE  
FRANKLIN PARK, ILLINOIS, 60131, U. S. A.

PHONE: (312) 451-1360

CABLE ADDRESS: MIDCO

TELEX NO.: 72-1596

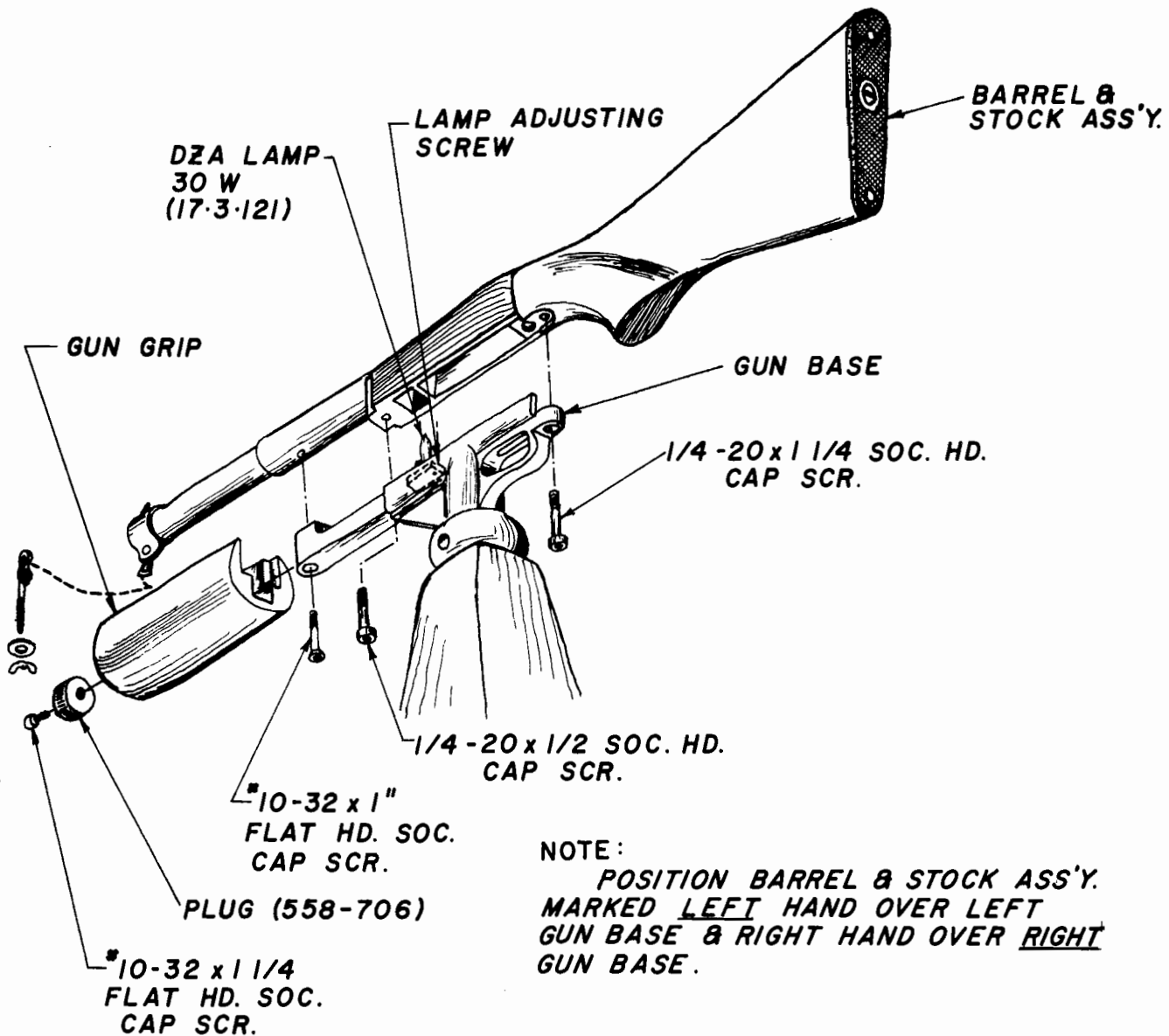
# TABLE OF CONTENTS

---

	Page No.
GENERAL INSTRUCTIONS	1—2—3
SHOT GUN ASSEMBLY	4—5
OSCILLATING DRIVE ASSEMBLY	6—7
MAIN BRACKET ASSEMBLY	8—9
CLIMBING PIRATE & POP-UP TARGET UNIT	10—11
OCTOPUS & PARROT TARGET ASSEMBLY	12—13
GUN BOAT DROP TARGET ASSEMBLY	14—15
FLAG BOAT DROP TARGET ASSEMBLY	16—17
SCORE, CREDIT & CONTROL UNIT	18—19
SHOT UNIT	20—21
STEP-UP UNIT	22—23
TAPE DECK	24—25
SCENERY	26—27
ADDITIONAL PARTS LIST	28
EQUIPMENT CHART	Inside Cover

## GENERAL INSTRUCTIONS FOR TWIN PIRATE GUN

1. INSTALLATION:
  - Remove each rifle assembly from shipping carton and install as per enclosed drawing.
  - Attach four cabinet levelers to bottom of cabinet. The power is controlled by a switch located on top of the cabinet. Plug line cord into A.C. only, 60 cycles, 115 volts.
2. VOLTAGE CONTROL:
  - In low line areas (100 volts or less), an additional boost in the 50 volt output of the transformer may be obtained by removing the wire from the 50 volt position of the transformer, and re-wiring to the 55 volt position.
3. 25¢ JACK:
  - Located on back door to control 1, 2, or 3 plays for a quarter.
4. EXTENDED PLAY JACK:
  - Located on back door to give either extended play (additional units of time), or 1 replay.
5. TOP SCORE CONTROL JACK:
  - Located on back door and is adjustable from conservative (highest score values), to liberal (lowest score values).
6. TIME CONTROL JACK:
  - Located on back door and is adjustable from 30 to 50 time units.
7. SOUND VOLUME CONTROLS:
  - Located on Amplifier Unit (PC 569-907). To increase volume, rotate controls as indicated by arrows on Amplifier Unit.
8. PHOTO-CELL SENSITIVITY CONTROLS:
  - Located on Photo-Cell Detector Unit (PC 569-921). To increase sensitivity of each target, rotate controls as indicated by arrows on Detector Unit.
9. TRIGGER CONTROL SLIDE SWITCH:
  - Located on back door. In 'ON' position, each trigger must be released after every shot (single shot operation). In 'OFF' position, trigger may be held in a depressed state (rapid fire).



### HOW TO ASSEMBLE SHOT GUN

- I. REMOVE ALL PROTECTIVE COVER FROM GUN BASE.
  - A. POSITION BARREL & STOCK ASS'Y. OVER GUN BASE MAKE CERTAIN THAT HOLES IN BARREL & STOCK ASS'Y. ARE IN LINE.
  - B. ASSEMBLE BARREL & STOCK ASS'Y. WITH (3) SCREWS AS SHOWN.
  - C. POSITION GUN GRIP AS SHOWN & ASSEMBLE WITH PLUG & (1) SCREW.

### LAMP ADJUSTMENT

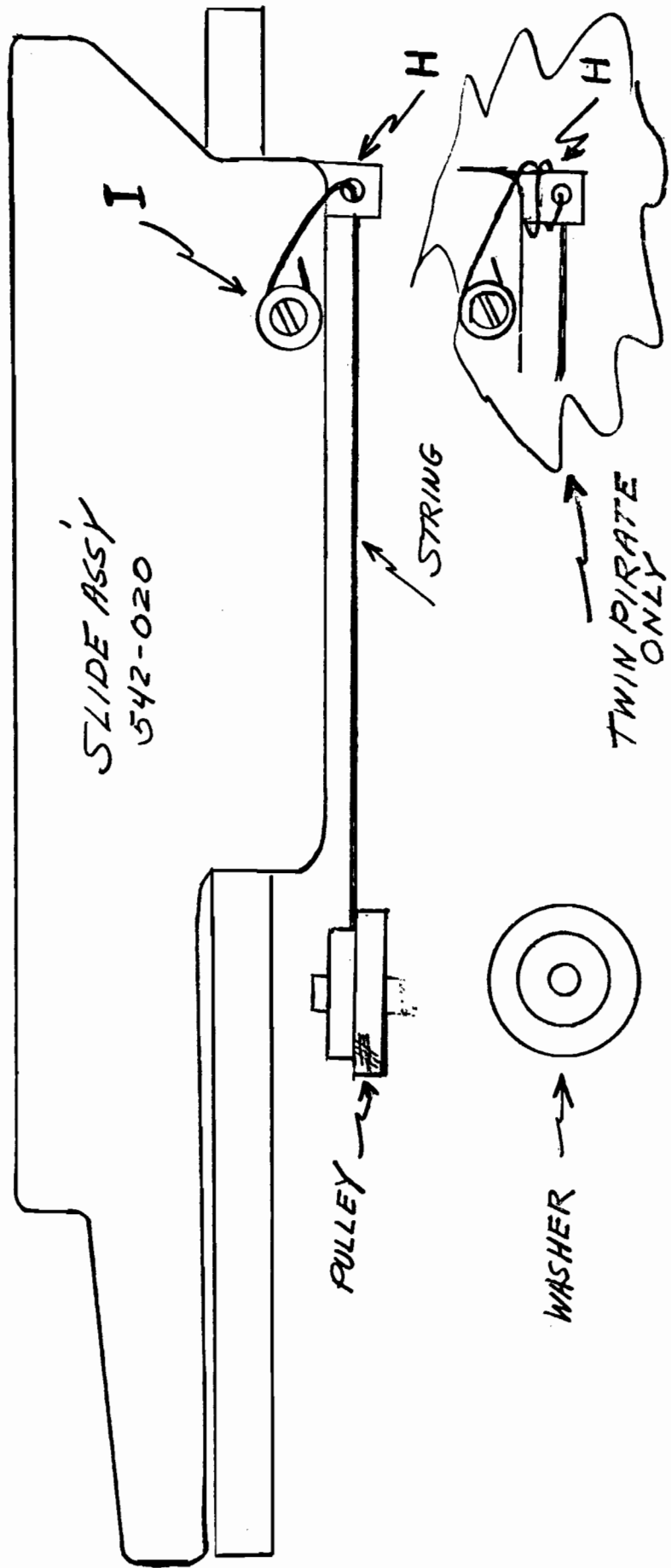
THE LAMP IS ADJUSTED AT THE FACTORY. AFTER REPLACING A LAMP IT MUST BE ADJUSTED FOR MAX. SPOT OF LIGHT. ADJUST BY LOWERING OR RAISING AT ADJUSTING SCREW.

5-14-74

MIDWAY MFG CO

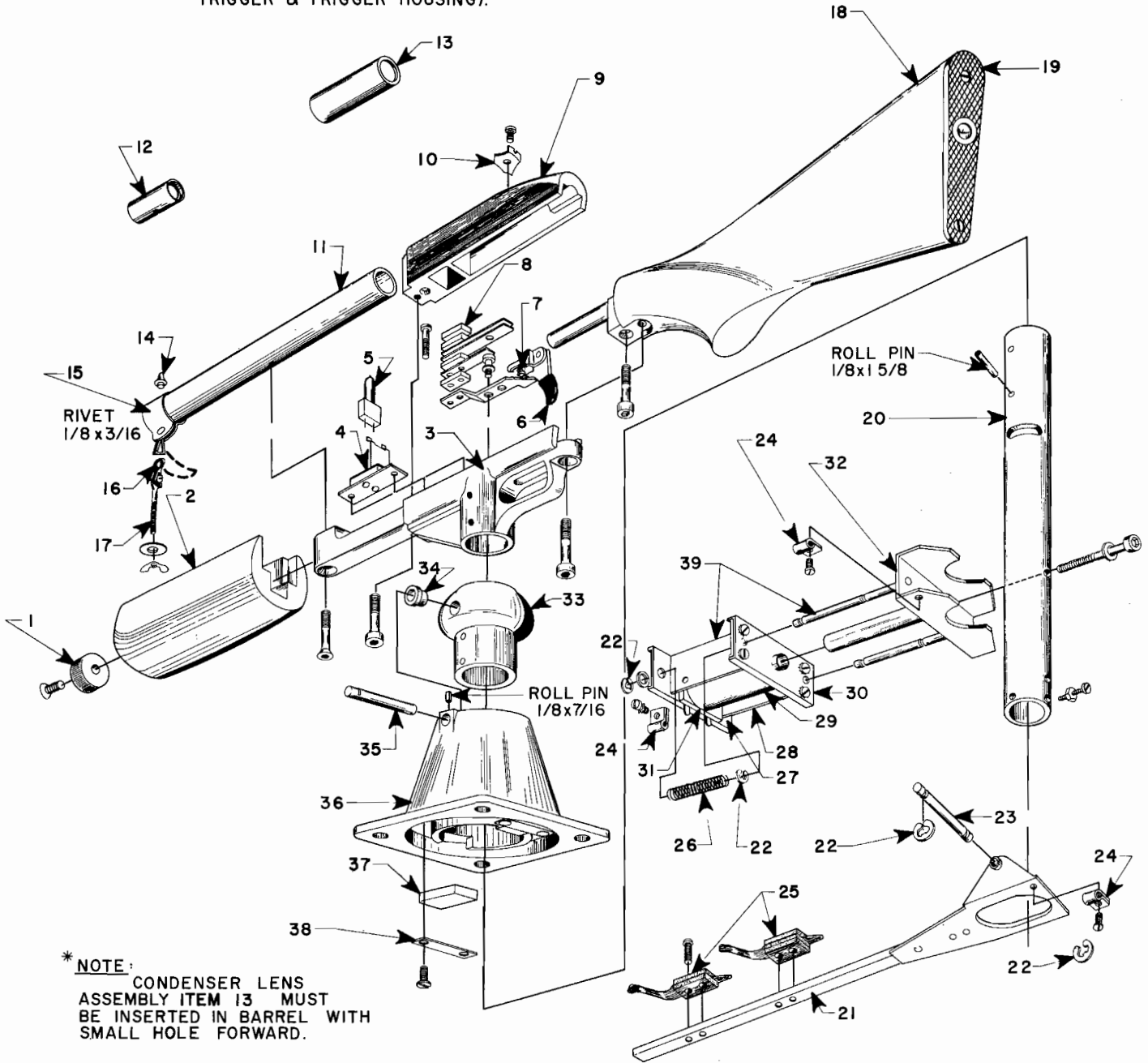
## DIAGRAM FOR RESTRING CARRIAGE

To restring drive string, remove retaining ring and washer from drive post and lift off pulley. Take a one foot piece of same string, lace thru hold and loop around oilite with a slip knot. Replace pulley on post. Replace washer and retaining ring, lace string thru hole in L bracket (H) and end up winding string around grommet and anchor screw (I), snug but not tight.



**NO. 569 TWIN PIRATE - SHOT GUN ASS'Y.**

**COMPLETE SHOT GUN ASSEMBLY**  
**40 (INCLUDES: BARREL, LENSES,**  
**STOCK, SWITCH, CHAIN, BULB,**  
**TRIGGER & TRIGGER HOUSING).**



**\* NOTE:**  
 CONDENSER LENS  
 ASSEMBLY ITEM 13 MUST  
 BE INSERTED IN BARREL WITH  
 SMALL HOLE FORWARD.

MIDWAY MFG. CO.

## NO. 569 PIRATE GUN – SHOT GUN ASSEMBLY

**PRICE LIST****ORDER BY PART NUMBER ONLY**

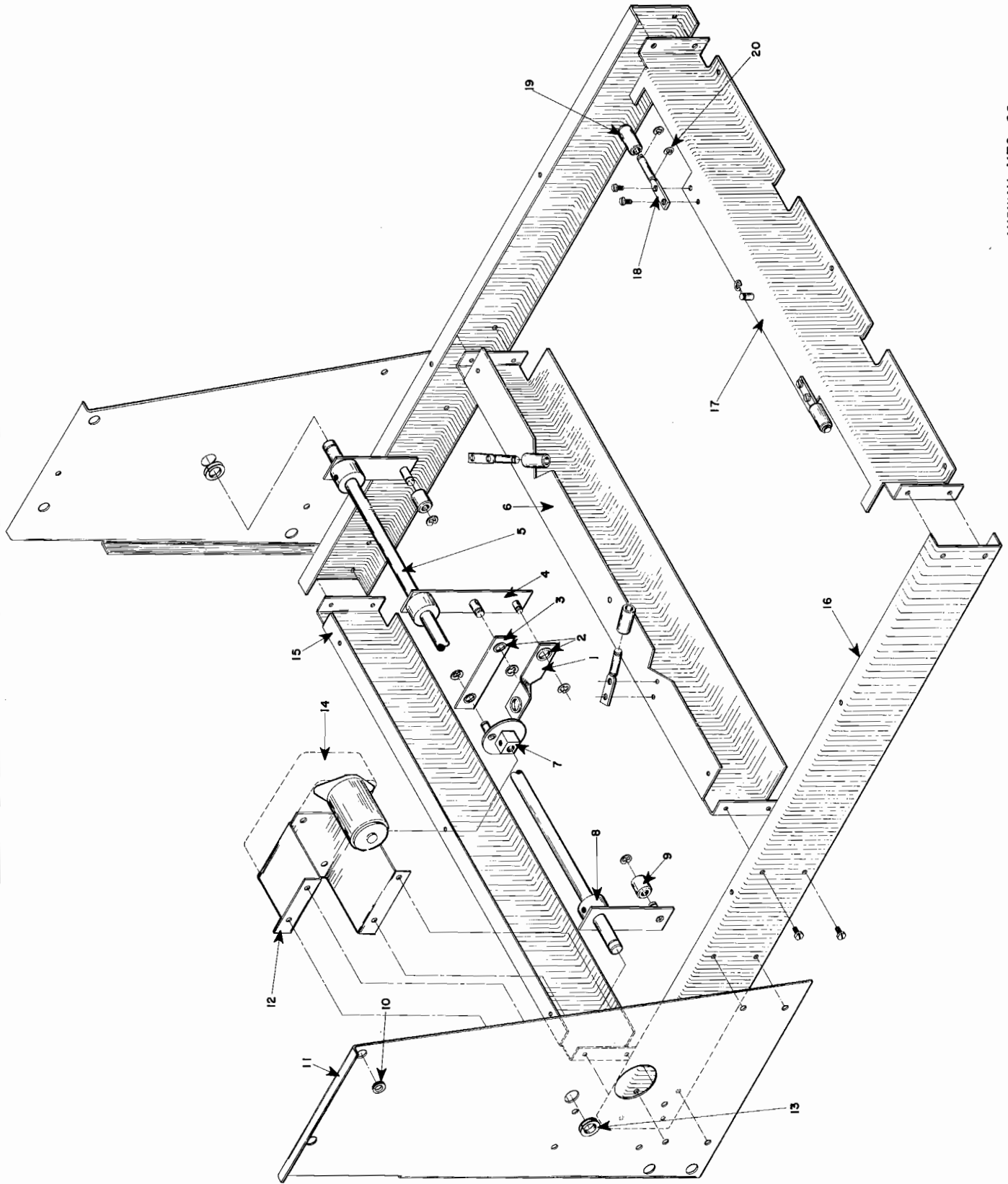
ITEM	PART NO	DESCRIPTION	PRICE
1	558-706	PLUG	.80 EA.
2	558-501-1	GRIP – GUN	8.00 EA.
3	558-901-1	BASE – GUN	29.20 EA.
4	569-034	BASE PLATE SUB ASSEMBLY	11.40 EA.
5	17-3-121	LAMP G.E. DZA	12.50 EA.
6	542-010	TRIGGER ASSEMBLY	2.40 EA.
7	10-176-1	SPRING – TRIGGER	.20 EA.
8	569-027	TRIGGER SWITCH ASSEMBLY	1.00 EA.
9	558-900	BODY – GUN	15.00 EA.
10	558-137	GUN SIGHT – REAR	.50 EA.
11	569-025	BARREL ASSEMBLY W/O LENS	15.70 EA.
12	569-020	BARREL TIP SUB ASSEMBLY	13.00 EA.
13	569-024	CONDENSER LENS ASSEMBLY	10.60 EA.
14	558-702	SIGHT	.20 EA.
15	569-112	BRACKET	1.30 EA.
16	542-012	CHAIN (10" LONG) & BOLT ASSEMBLY	1.60 EA.
18	558-030	WOOD GUN STOCK ASSEMBLY	31.00 EA.
19	539-919	RECOIL PAD	.80 EA.
20	518-706	GUN SUPPORT TUBE	16.00 EA.
21	568-007	CONTACT ARM ASSEMBLY	4.50 EA.
22	17-100-25	"E" RING	.20 EA.
23	518-715	PIN	.40 EA.
24	17-062-42-01	CLAMP (3 REQUIRED)	.20 EA.
25	553-021-3	WIPER (2 REQUIRED)	.80 EA.
26	10-140	SPRING (2 REQUIRED)	.20 EA.
27	17-066-104-63	WASHER – SPRING	.20 EA.
28	518-122	SOLENOID BRACKET ASSEMBLY	4.00 EA.
29	G23-1300	COIL – SOLENOID	5.00 EA.
30	518-123	END PLATE	.40 EA.
31	535-149	INSULATOR	.20 EA.
32	518-116	PIPE BRACKET ASSEMBLY	4.00 EA.
33	518-901-1	PIVOT HOUSING	12.00 EA.
34	518-700	THRUST BUSHING (2 REQUIRED)	.60 EA.
35	518-701	PIVOT SHAFT	.50 EA.
36	518-902	GUN MOUNT	18.00 EA.
37	518-918-3	STOP – GUN	.55 EA.
38	518-182	RETAINER – STOP (2 REQUIRED)	.30 EA.
39	569-058	KICKER COIL ASSEMBLY	17.00 EA.
40	569-060	SHOT GUN ASSEMBLY (COMPLETE)	135.00 EA.
41	563-721	BARREL SEAL TIP	1.20 EA.

NOTE: Item #39 was also used in Games: Flying Carpet, Wild Kingdom, Haunted House and Sportsman.

**MIDWAY MFG. CO.**

PRICES SUBJECT TO CHANGE WITHOUT NOTICE

PAGE 5





NO. 569 PIRATE GUN – OSCILLATING DRIVE ASSEMBLY

**PRICE LIST**

*ORDER BY PART NUMBER ONLY*

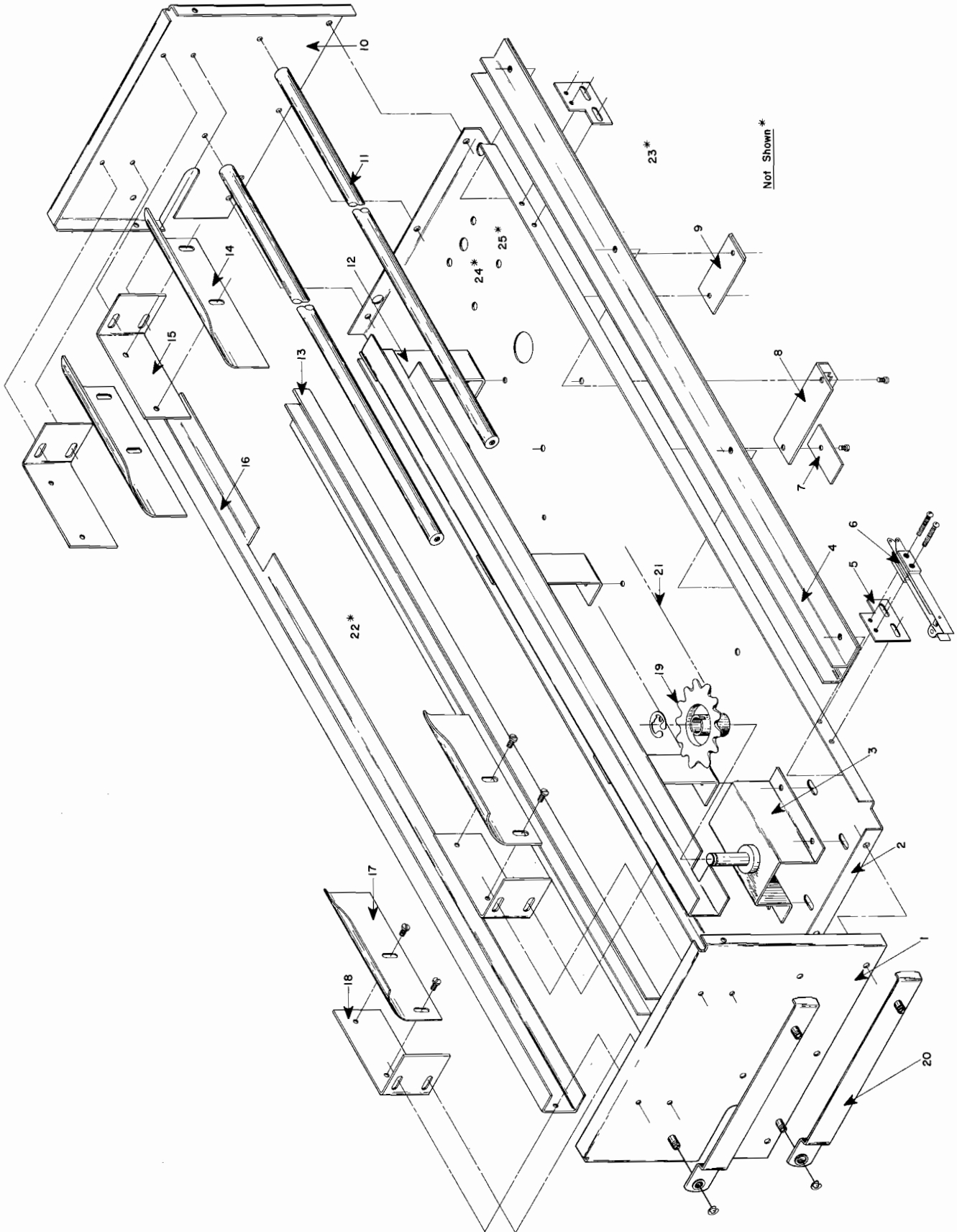
<b>ITEM</b>	<b>PART N<sup>o</sup></b>	<b>DESCRIPTION</b>	<b>PRICE</b>
1	569-057	SHIP LINK ASSEMBLY W/NYLINER BEARINGS	.60 EA.
2	17-42-93	NYLINER BEARING (4 REQUIRED)	.20 EA.
3	569-137	POWER LINK W/NYLINER BEARING	.40 EA.
4	569-011	POWER LEVER ASSEMBLY	2.40 EA.
5	569-706	PIVOT ROD	4.00 EA.
6	569-133	CENTER BRACE	4.00 EA.
7	569-019	CRANK ASSEMBLY	1.40 EA.
8	569-010	LEVER ASSEMBLY (RIGHT & LEFT)	1.50 EA.
9	569-712	ROLLER – ACTUATOR	.40 EA.
10	17-42-93	NYLINER BEARING (4 REQUIRED)	.20 EA.
11	569-105	SIDE SUPPORT PLATE (LEFT & RIGHT)	4.00 EA.
12	569-126	MOTOR MOUNTING BRACKET	.70 EA.
13	17-223-42-18	NYLINER BEARING (2 REQUIRED)	.20 EA.
14	40-2299	MOTOR	20.00 EA.
15	569-138	REAR BRACE	2.90 EA.
16	569-134	SIDE BRACE (LEFT & RIGHT)	1.60 EA.
17	569-038	FRONT BRACE SUB. ASSEMBLY	3.80 EA.
18	569-708	SHAFT – ROLLER (4 REQUIRED)	.40 EA.
19	538-703	ROLLER (4 REQUIRED)	.40 EA.
20	17-100-18	“E” RING (8 REQUIRED)	.20 EA.

**MIDWAY MFG. CO.**

PRICES SUBJECT TO CHANGE WITHOUT NOTICE

PAGE 7

NO. 569 PIRATE GUN - MAIN BRACKET ASSEMBLY



**PRICE LIST****ORDER BY PART NUMBER ONLY**

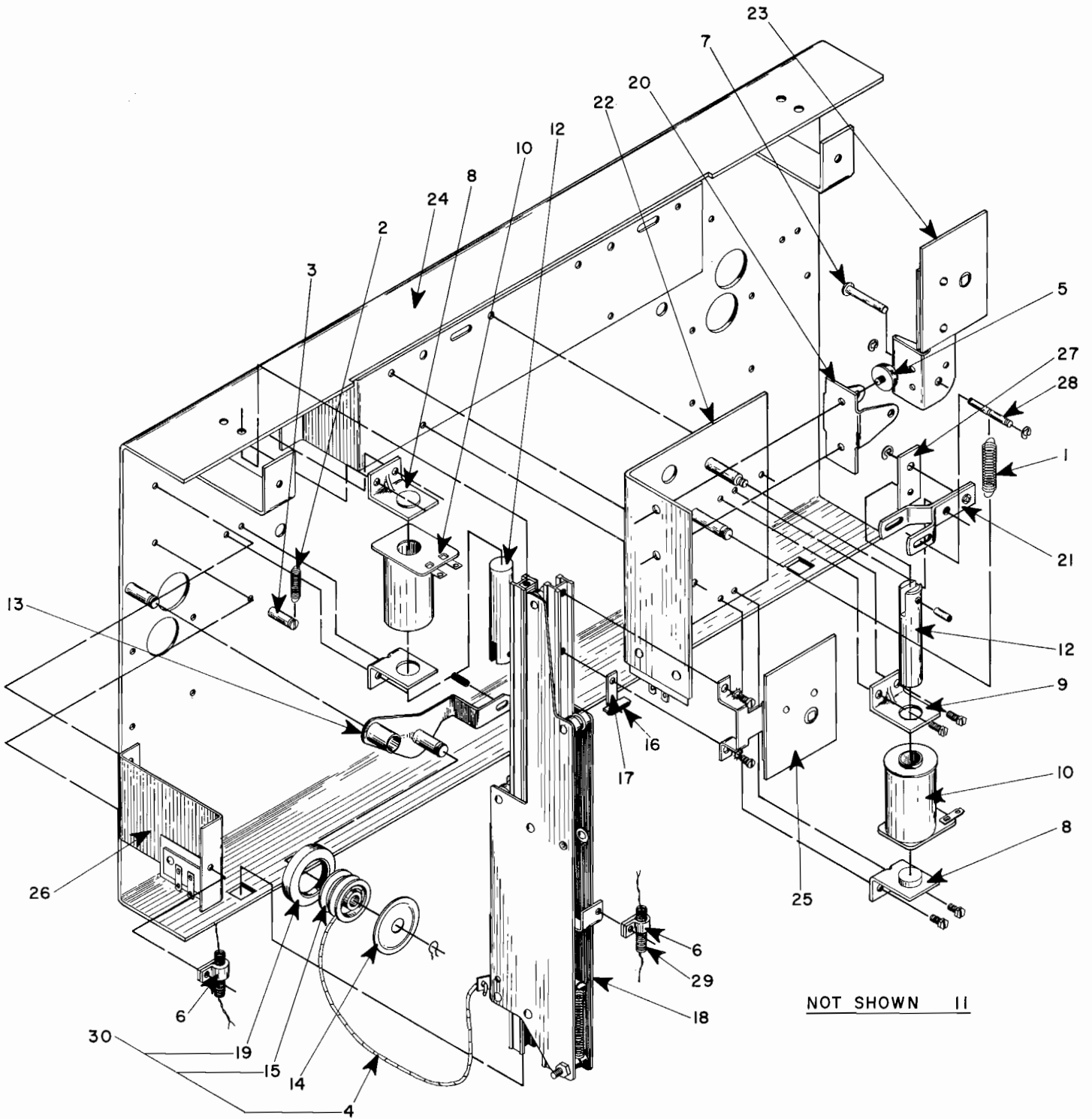
<b>ITEM</b>	<b>PART NO</b>	<b>DESCRIPTION</b>	<b>PRICE</b>
1	569-043L	SIDE BRACE SUB. ASSEMBLY (LEFT)	2.00 EA.
2	569-100	MAIN BRACKET	5.00 EA.
3	569-016	SHAFT BRACKET & SHAFT SUB. ASSEMBLY	2.00 EA.
4	569-104	"L" BRACKET (2 REQUIRED)	.70 EA.
5	569-142	SWITCH BRACKET (2 REQUIRED)	.60 EA.
6	569-051	SWITCH (2 REQUIRED)	1.10 EA.
7	569-162	CLAMP	.20 EA.
8	569-156	2, CABLE CONNECTOR BRACKET	.50 EA.
9	569-157	CABLE CONNECTOR BRACKET	.40 EA.
10	569-043R	SIDE BRACE SUB. ASSEMBLY (RIGHT)	2.00 EA.
11	569-707	RUNNER BARS (2 REQUIRED)	5.10 EA.
12	569-014	CHANNEL ASSEMBLY	2.90 EA.
13	569-103	GUIDE BRACKET (2 REQUIRED)	.80 EA.
14	569-106R	RESET (2 REQUIRED) RIGHT	.90 EA.
15	569-107R	RESET BRACKET (2 REQUIRED) RIGHT	.40 EA.
16	569-140	CHANNEL	1.20 EA.
17	569-106L	RESET (2 REQUIRED) LEFT	.90 EA.
18	569-107L	RESET BRACKET (2 REQUIRED) LEFT	.40 EA.
19	569-148	SPROCKET	1.20 EA.
20	569-044	PIVOT LINK SUB. ASSEMBLY (4 REQUIRED)	1.30 EA.
21	569-151	DRIVE CHAIN (51 LINKS)	1.80 EA.
22	569-152	INSULATOR – CABLE (NOT SHOWN)	.20 EA.
23	569-146	SCENERY SUPPORT (NOT SHOWN)	.80 EA.
24	40-2300	MOTOR (NOT SHOWN)	22.00 EA.
25	569-026	SPROCKET ASSEMBLY (NOT SHOWN)	2.70 EA.

**MIDWAY MFG. CO.**

PRICES SUBJECT TO CHANGE WITHOUT NOTICE

PAGE 9

**NO. 569 PIRATE GUN - CLIMBING PIRATE & POP-UP TARGET UNIT**



NOT SHOWN II

MIDWAY MFG. CO.

**PRICE LIST****ORDER BY PART NUMBER ONLY**

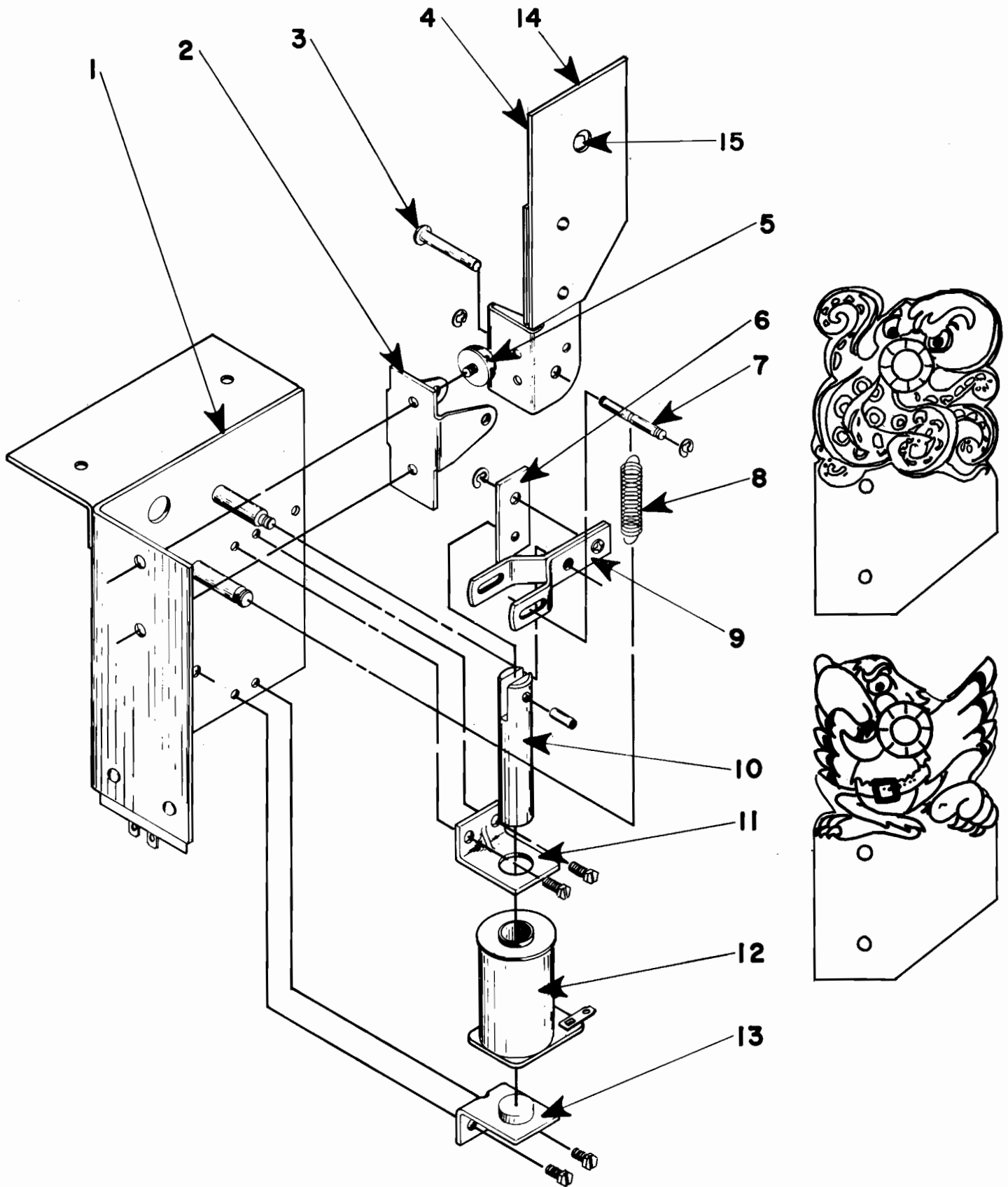
ITEM	PART NO	DESCRIPTION	PRICE
1	10-134	SPRING	.20 EA.
2	10-152	SPRING (2 REQUIRED)	.20 EA.
3	11-100-1	POST (2 REQUIRED)	.30 EA.
4	17-087-9-04	PULLEY CORD (2 REQUIRED)	.20 EA.
5	17-41-23	RUBBER FEET	.20 EA.
6	17-42-02	CLAMP 3/16" DIAMETER (4 REQUIRED)	.20 EA.
7	17-72-67	RIVET 3/16 X 1-1/4	.20 EA.
8	22-001	STOP BRACKET ASSEMBLY (2 REQUIRED)	1.00 EA.
9	22-200-3	STOP BRACKET (2 REQUIRED)	.30 EA.
10	A26-1200	COIL (2 REQUIRED)	2.80 EA.
11	40-A2-1775-1	DRIVE MOTOR (2 REQUIRED) NOT SHOWN	15.00 EA.
12	512-702	PLUNGER SOLENOID	1.00 EA.
13	538-013	DRIVE MTG. BRK'T SUB. ASS'Y (2 REQ'D.)	1.10 EA.
14	538-160	WASHER DRIVE (2 REQUIRED)	.40 EA.
15	538-723	DRIVE WHEEL (2 REQUIRED)	.90 EA.
16	539-136	CUSHION PAD (2 REQUIRED)	.20 EA.
17	539-138	SLIDE STOP (2 REQUIRED)	.40 EA.
18	542-020	CARRIAGE SUB. ASSEMBLY (2 REQUIRED)	17.60 EA.
19	542-902	DRIVE RING (2 REQUIRED)	1.30 EA.
20	563-121	MOUNTING BRACKET	.50 EA.
21	569-003	LINK	1.50 EA.
22	569-004	TARGET BRACKET & POST SUB. ASSEMBLY	2.10 EA.
23	569-005L	TARGET PIVOT BRACKET ASSEMBLY (LEFT)	6.00 EA.
24	569-034	BASE PLATE SUB. ASSEMBLY	11.40 EA.
25	569-037	CLIMBING MAN TARGET ASSEMBLY (LEFT & RIGHT) (2 REQUIRED)	6.00 EA.
26	569-047	TERMINAL BRK'T. SUB. ASS'Y. (2 REQ'D.)	1.50 EA.
27	569-117	PHENOLIC LINK	.20 EA.
28	569-705	PIN	.20 EA.
29	10-219	EXTENSION SPRING	.60 EA.
30	569-054	COMPLETE DRIVE WHEEL ASSEMBLY	2.20 EA.
	569-002	COMPLETE POP-UP TARGET ASSEMBLY (2 REQUIRED PER GAME)	18.00 EA.
	569-039	COMPLETE CLIMBING PIRATE TARGET UNIT	133.10 EA.

**MIDWAY MFG. CO.**

PRICES SUBJECT TO CHANGE WITHOUT NOTICE

PAGE 11

# NO. 569 PIRATE GUN - OCTOPUS & PARROT TARGET



MIDWAY MFG. CO.

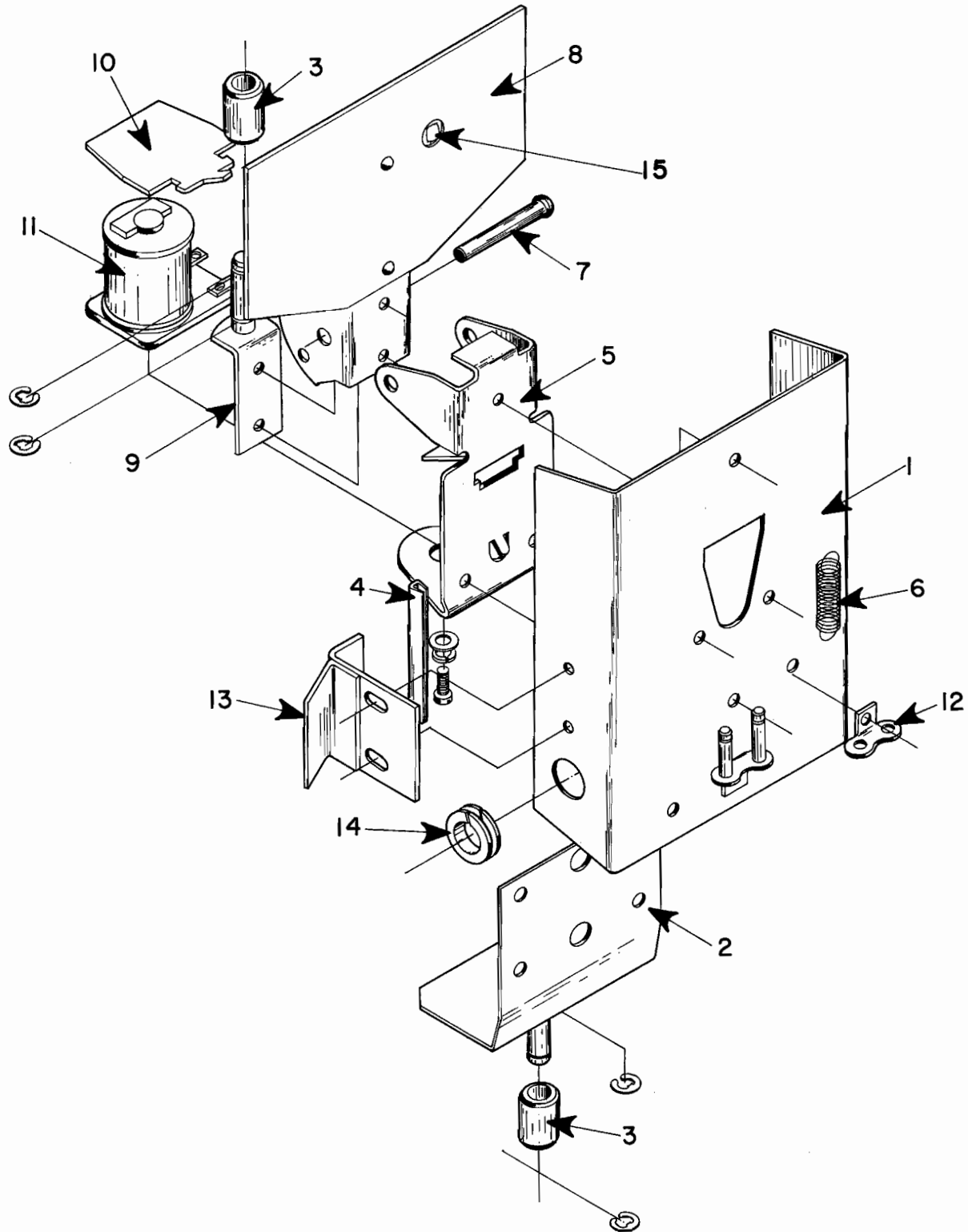
**PRICE LIST***ORDER BY PART NUMBER ONLY*

<b>ITEM</b>	<b>PART N<sup>o</sup></b>	<b>DESCRIPTION</b>	<b>PRICE</b>
1	569-006	MOUNTING BRACKET & POST WELD ASS'Y.	3.00 EA.
2	563-121	MOUNTING BRACKET	.50 EA.
3	17-72-67	RIVET 3/16 X 1-1/4	.20 EA.
4	569-013	OCTOPUS TARGET – PIVOT BRK'T. S.A.	6.20 EA.
5	17-41-23	RUBBER FEET	.20 EA.
6	569-117	PHENOLIC LINK	.20 EA.
7	569-705	PIN	.20 EA.
8	10-134	SPRING	.20 EA.
9	569-003	LINK	1.50 EA.
10	512-702	PLUNGER SOLENOID	1.00 EA.
11	22-200-3	STOP BRACKET	.30 EA.
12	A26-1200	COIL	2.80 EA.
13	22-001	STOP BRACKET ASSEMBLY	1.00 EA.
14	569-052	PARROT TARGET – PIVOT BRK'T. S.A.	6.20 EA.
15	17-13-100	PHOTO CELL	1.20 EA.
	569-012	COMPLETE TARGET ASSEMBLY	19.10 EA.

**MIDWAY MFG. CO.**

PRICES SUBJECT TO CHANGE WITHOUT NOTICE

NO. 569 PIRATE GUN - GUN BOAT DROP TARGET ASS'Y.



*MIDWAY MFG. CO.*



**PRICE LIST***ORDER BY PART NUMBER ONLY*

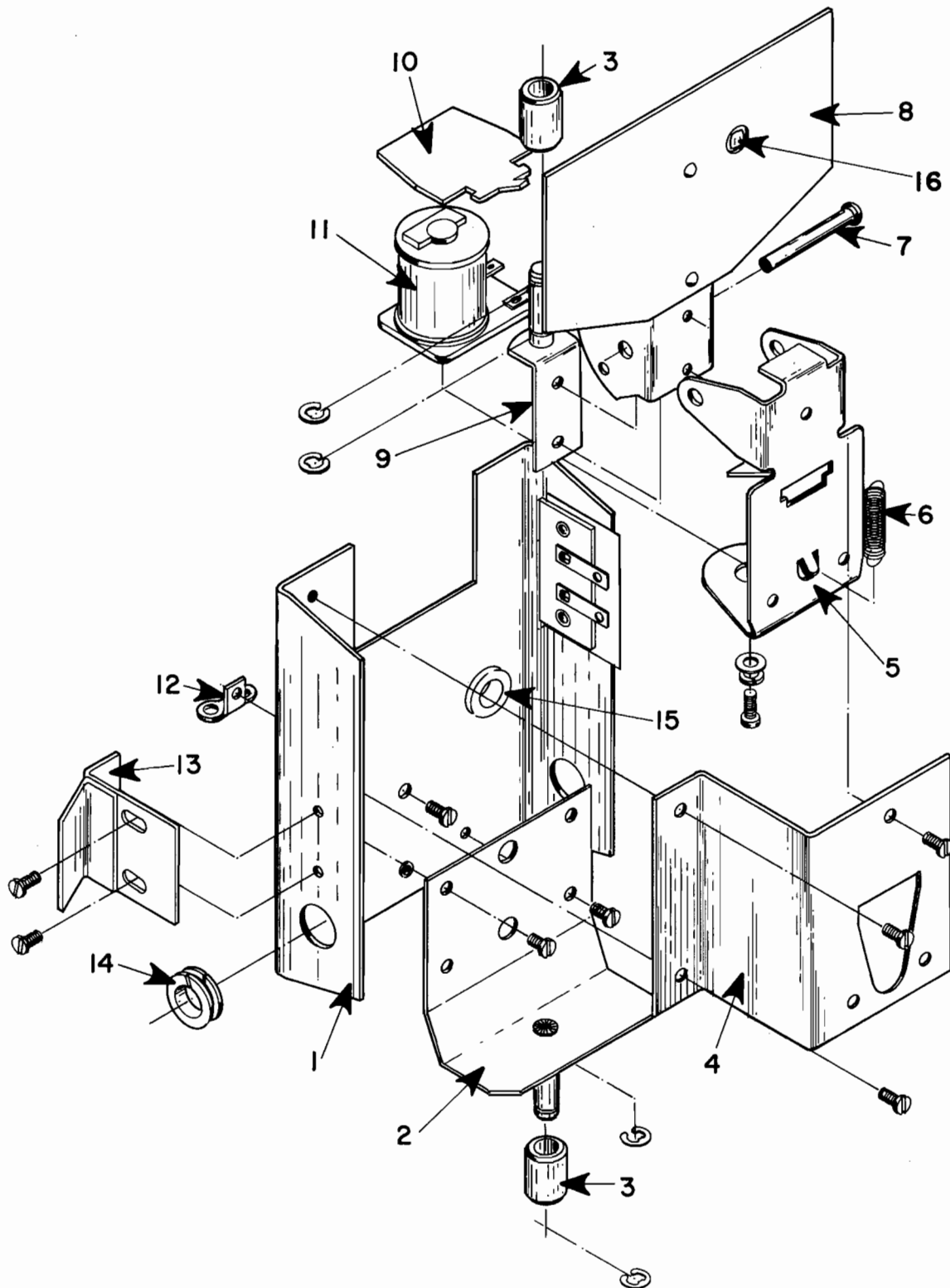
<b>ITEM</b>	<b>PART N<sup>o</sup></b>	<b>DESCRIPTION</b>	<b>PRICE</b>
1	569-041	LOWER CARRIAGE SUB. ASSEMBLY	2.80 EA.
2	569-015	ROLLER BRACKET & POST SUB. ASSEMBLY	1.10 EA.
3	528-708	RESET ROLLER (2 REQUIRED)	.30 EA.
4	540-138-10	EDGE PROTECTOR	.20 EA.
5	528-001	MOUNTING BRACKET	2.00 EA.
6	10-181-1	SPRING	.20 EA.
7	17-72-67	RIVET 3/16 X 1-1/4" LG.	.20 EA.
8	569-029	ROW BOAT TARGET ASSEMBLY (GUN)	5.80 EA.
9	569-032	BRACKET & POST SUB. ASSEMBLY	.80 EA.
10	528-132	ARMATURE TARGET TRIP COIL	.50 EA.
11	D29-1400	COIL	2.40 EA.
12	17-120-9-23	"L" LINK	.20 EA.
13	569-028	CLAMP BRACKET ASSEMBLY	1.20 EA.
14	17-223-42-18	NYLINER (2 REQUIRED)	.20 EA.
15	17-13-100	PHOTO CELL	1.20 EA.
	569-036-1	COMPLETE DROP TARGET ASSEMBLY (INCLUDES ONLY #3, #5, #6, #7, #8, #9, #10, #11)	12.50 EA.
		NOTE: WHEN ORDERING PART NO. 569-029, SPECIFY <u>GUN</u> OR <u>FLAG</u> .	

**MIDWAY MFG. CO.**

PRICES SUBJECT TO CHANGE WITHOUT NOTICE

PAGE 15

NO. 569 PIRATE GUN - FLAG BOAT DROP TARGET ASS'Y.



MIDWAY MFG. CO.

**PRICE LIST***ORDER BY PART NUMBER ONLY*

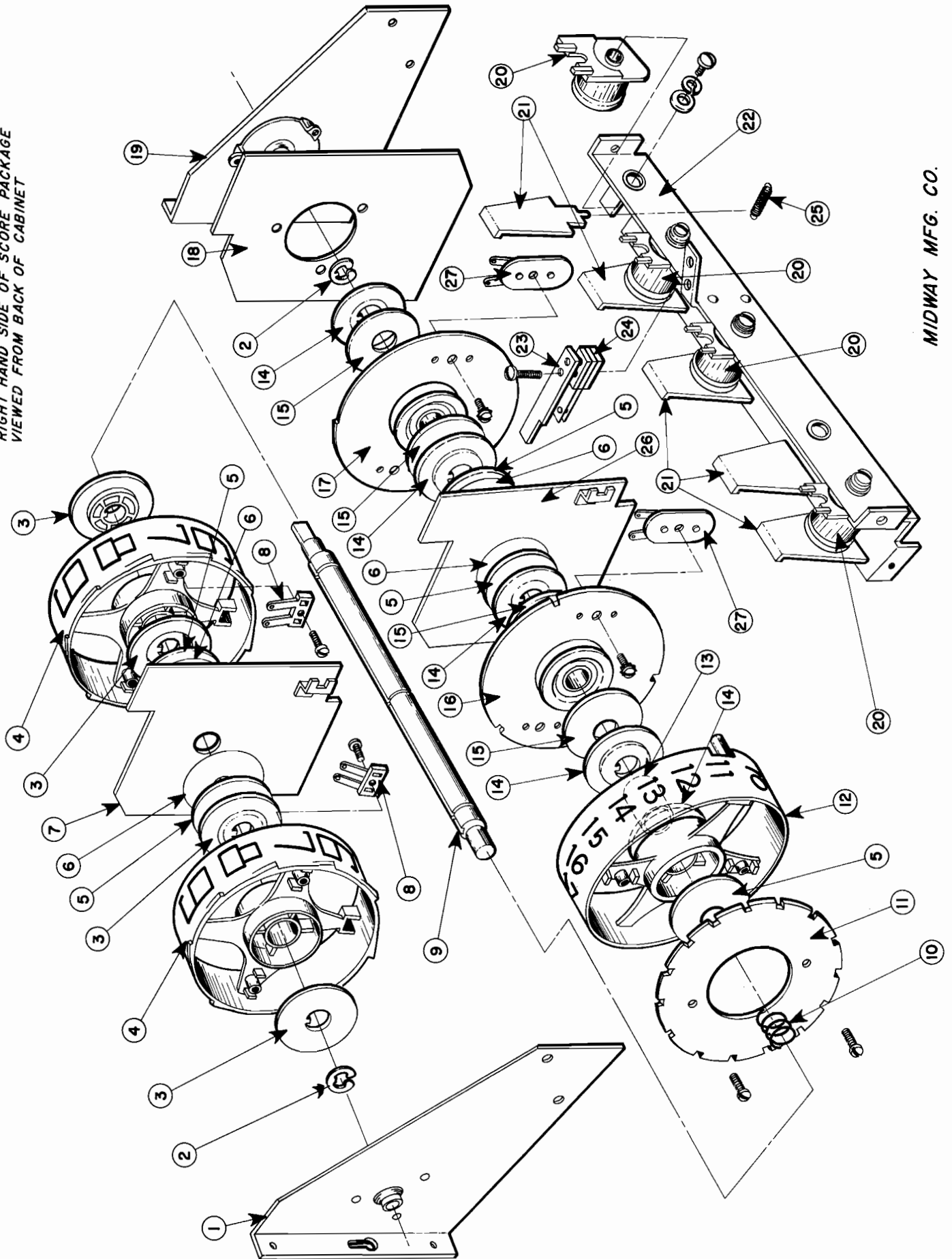
<b>ITEM</b>	<b>PART NO</b>	<b>DESCRIPTION</b>	<b>PRICE</b>
1	569-035	UPPER CARRIAGE SUB. ASSEMBLY	2.90 EA.
2	569-015	ROLLER BRACKET & POST SUB. ASSEMBLY	1.10 EA.
3	528-708	RESET ROLLER (2 REQUIRED)	.30 EA.
4	569-132	BRACKET DROP TARGET	.70 EA.
5	528-001	MOUNTING BRACKET	2.00 EA.
6	10-181-1	SPRING	.20 EA.
7	17-72-67	RIVET 3/16 X 1-1/4" LG.	.20 EA.
8	569-029	ROW BOAT TARGET ASSEMBLY (FLAG)	5.80 EA.
9	569-032	BRACKET & POST SUB. ASSEMBLY	.80 EA.
10	528-132	ARMATURE TARGET TRIP COIL	.50 EA.
11	D29-1400	COIL	2.40 EA.
12	17-120-9-23	"L" LINK	.20 EA.
13	569-028	CLAMP BRACKET ASSEMBLY	1.20 EA.
14	17-223-42-18	NYLINER (2 REQUIRED)	.20 EA.
15	17-081-41-08	RUBBER GROMMET	.20 EA.
16	17-13-100	PHOTO CELL	1.20 EA.
NOTE: WHEN ORDERING PART NO. 569-029, SPECIFY <u>GUN</u> OR <u>FLAG</u> .			

**MIDWAY MFG. CO.**

PRICES SUBJECT TO CHANGE WITHOUT NOTICE

NO. 569 PIRATE GUN - SCORE, CREDIT & CONTROL UNIT

RIGHT HAND SIDE OF SCORE PACKAGE  
VIEWED FROM BACK OF CABINET



MIDWAY MFG. CO.

**PRICE LIST**  
**ORDER BY PART NUMBER ONLY**

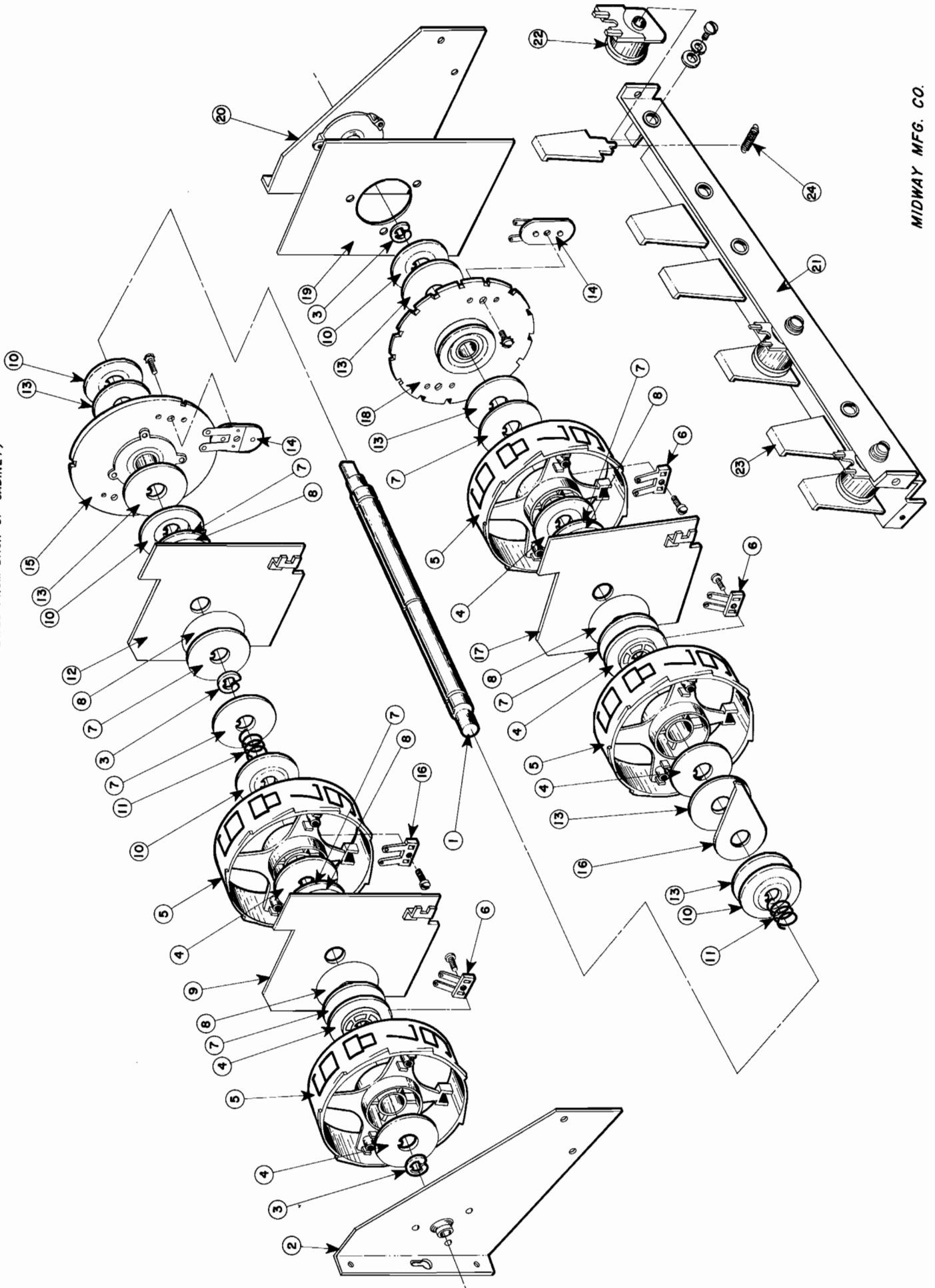
ITEM	PART NO	DESCRIPTION	PRICE
1	35-037-1L	END BEARING PLATE SUB. ASS'Y. (LEFT)	1.60 EA.
2	17-100-43	"E" RING (2 REQUIRED)	.20 EA.
3	35-932	WASHER – NYLON (4 REQUIRED)	.20 EA.
4	35-064	SCORE WHEEL SUB. ASSEMBLY (2 REQ'D.)	1.60 EA.
5	35-932-1	WASHER – NYLON (5 REQUIRED)	.20 EA.
6	34-207	WASHER – TEFLON (4 REQUIRED)	.20 EA.
7	569-932	SCORE P. C.	6.70 EA.
8	35-014	WIPER SUB. ASSEMBLY (2 REQUIRED)	1.30 EA.
9	35-751	DRIVE SHAFT	5.80 EA.
10	10-165	SPRING	.20 EA.
11	35-217	20 NOTCH WHEEL	1.70 EA.
12	35-065	WHEEL 1-19	4.00 EA.
13	35-725-1	SPACER	.30 EA.
14	35-136	WASHER – DISHED (5 REQUIRED)	.20 EA.
15	35-135	WASHER – LEATHER (4 REQUIRED)	.20 EA.
16	35-071	3 NOTCH CAM & CLUTCH PLT. W/35-012 S.A.	2.90 EA.
17	35-015	1 NOTCH CAM & CLUTCH PLT. W/35-012 S.A.	3.40 EA.
18	569-927	CONTROL P. C.	10.80 EA.
19	35-006R	END BEARING PLATE SUB. ASS'Y. (RIGHT)	1.70 EA.
20	K32-1700	COIL (4 REQUIRED)	1.50 EA.
21	35-171	ARMATURE (5 REQUIRED)	.40 EA.
22	569-049	COIL BRACKET SUB. ASSEMBLY	1.90 EA.
23	20-203-2	GUARD STRIP	.20 EA.
24	35-024	SWITCH (CREDIT)	1.10 EA.
25	10-181-1	SPRING (5 REQUIRED)	.20 EA.
26	569-900	FIRST SHOT P. C.	3.70 EA.
27	35-013	WIPER SUB. ASSEMBLY (2 REQUIRED)	1.60 EA.

**MIDWAY MFG. CO.**

PRICES SUBJECT TO CHANGE WITHOUT NOTICE

PAGE 19

NO. 569 PIRATE GUN - SHOT UNIT  
(LEFT HAND SIDE OF SCORE PACKAGE - VIEWED FROM BACK OF CABINET)



MIDWAY MFG. CO.

**PRICE LIST**  
**ORDER BY PART NUMBER ONLY**

ITEM	PART NO	DESCRIPTION	PRICE
1	35-750-1	DRIVE SHAFT	6.80 EA.
2	35-037-1L	END BEARING PLATE (LEFT)	1.60 EA.
3	17-100-43	"E" RING (3 REQUIRED)	.20 EA.
4	35-932	WASHER – NYLON (5 REQUIRED)	.20 EA.
5	35-064	0-9 SCORE WHEEL (4 REQUIRED)	1.60 EA.
6	35-014	WIPER SUB. ASSEMBLY (4 REQUIRED)	1.30 EA.
7	35-932-1	WASHER – NYLON (8 REQUIRED)	.20 EA.
8	34-207	WASHER – TEFLON (6 REQUIRED)	.20 EA.
9	569-932	SCORE P. C.	6.70 EA.
10	35-136	WASHER – DISHED (5 REQUIRED)	.20 EA.
11	10-165	SPRING (2 REQUIRED)	.20 EA.
12	569-901	SHOT P. C.	3.70 EA.
13	35-135	WASHER – LEATHER (6 REQUIRED)	.20 EA.
14	35-013	WIPER ASSEMBLY (2 REQUIRED)	1.60 EA.
15	35-071	3 NOTCH CAM & CLUTCH PLATE ASSEMBLY	2.90 EA.
16	563-161	TIMING ARM	.40 EA.
17	563-929	TIME P. C.	6.00 EA.
18	35-017	20 NOTCH CAM & CLUTCH PLATE ASSEMBLY	3.60 EA.
19	569-931	TOP SCORE P. C.	15.30 EA.
20	35-006-R	END BEARING PLATE (RIGHT)	1.70 EA.
21	569-050	COIL BRACKET SUB. ASSEMBLY	1.90 EA.
22	K32-1700	COIL (3 REQUIRED)	1.50 EA.
23	35-171	ARMATURE (6 REQUIRED)	.40 EA.
24	10-181-1	SPRING (6 REQUIRED)	.20 EA.
		NOT SHOWN:	
	17-3-52	12V. LAMPS (24 REQUIRED) (1895)	.20 EA.
	17-9-57	CLAMP BRACKET (CAPACITOR)	.20 EA.
	17-9-60	FAN ASSEMBLY – CONTROL MOTOR (2" DIA.)	.80 EA.
	17-11-113	CAPACITOR (DOMESTIC)	5.60 EA.
	17-11-143	CAPACITOR (FOREIGN)	5.40 EA.
	17-109-31-09	SOCKETS (24 REQUIRED)	.20 EA.
	35-226	ZERO ("0") DUMMY BRACKET	1.00 EA.
	35-908	COUPLING – SHAFT (2 REQUIRED)	.20 EA.
	40-606	CONTROL MOTOR	27.50 EA.
	569-008	SCORE FRAME ASSEMBLY	9.90 EA.
	569-031	MOTOR MOUNTING BRACKET	1.70 EA.

**MIDWAY MFG. CO.**

PRICES SUBJECT TO CHANGE WITHOUT NOTICE

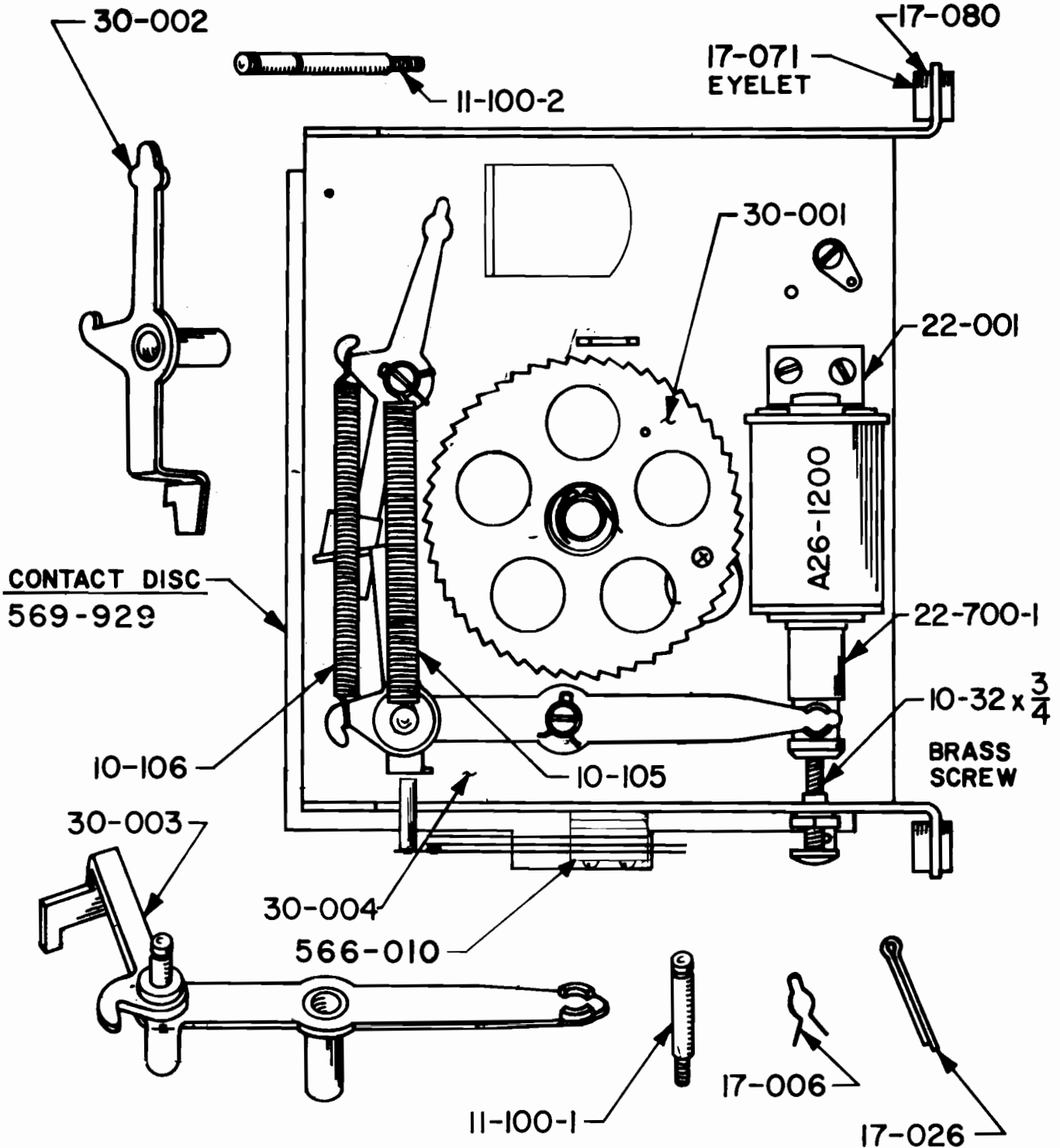
PAGE 21

# NO. 569 PIRATE GUN - STEP-UP UNIT

## WIPER FINGERS (NOT SHOWN)

568-045

5 FINGER WIPER



MIDWAY MFG. CO.



**PRICE LIST***ORDER BY PART NUMBER ONLY*

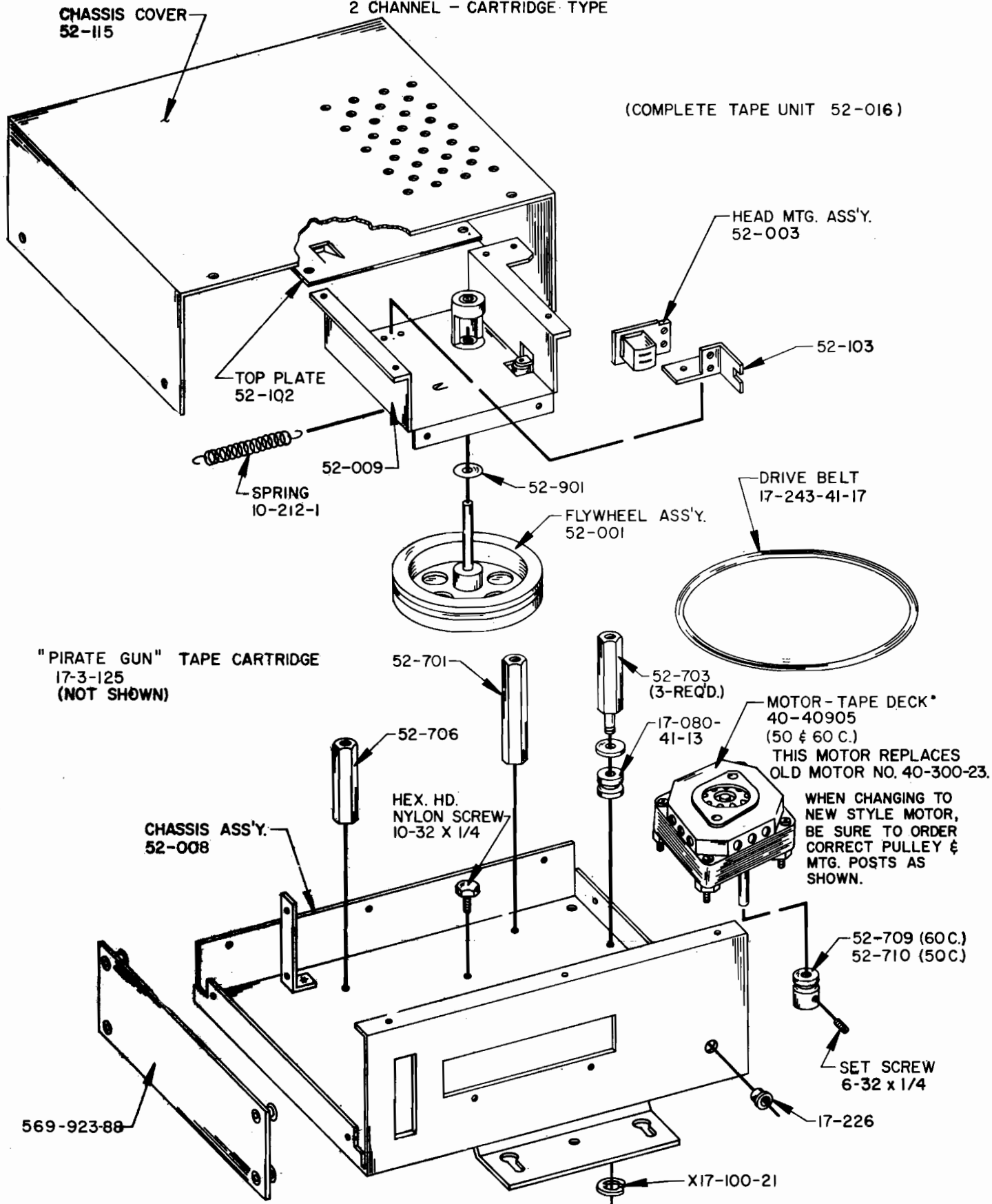
<b>ITEM</b>	<b>PART N<sup>o</sup></b>	<b>DESCRIPTION</b>	<b>PRICE</b>
	10-105	DRIVE SPRING	.20 EA.
	10-106	DRIVE SPRING	.20 EA.
	11-100-1	POST – PIVOT	.30 EA.
	11-100-2	POST – PIVOT	.20 EA.
	17-006-7-17	3/16" HAIR PIN	.20 EA.
	17-026-7-42	COTTER PIN	.20 EA.
	17-071-71-14	EYELET	.20 EA.
	17-080-41-13	RUBBER GROMMET	.20 EA.
	22-700-1	PLUNGER – DRIVE	.80 EA.
	30-001	RATCHET & SHAFT ASSEMBLY	2.00 EA.
	30-002	RESET PAEL ASSEMBLY	1.00 EA.
	30-003	DRIVE ARM & PAWL ASSEMBLY	2.10 EA.
	30-004	STEP-UP UNIT FRAME ASSEMBLY	4.70 EA.
	566-010	END OF STROKE SWITCH	.90 EA.
	568-045	5 FINGER WIPER ASSEMBLY (NOT SHOWN)	5.70 EA.
	569-059	COMPLETE STEP-UP UNIT ASSEMBLY	36.40 EA.
	569-929	PROGRAM STEP-UP UNIT P. C.	5.40 EA.

**MIDWAY MFG. CO.**

PRICES SUBJECT TO CHANGE WITHOUT NOTICE

# NO. 569 PIRATE GUN -- TAPE DECK

2 CHANNEL - CARTRIDGE TYPE



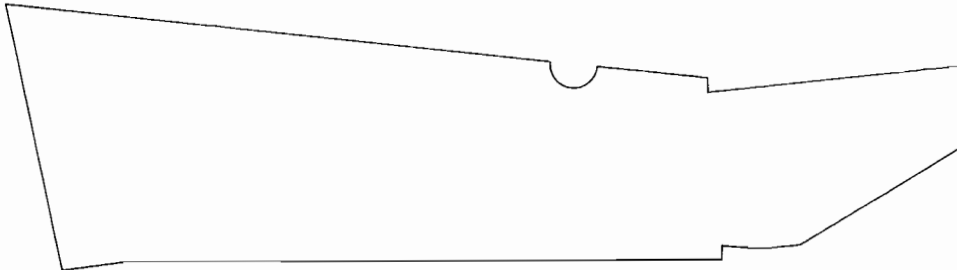
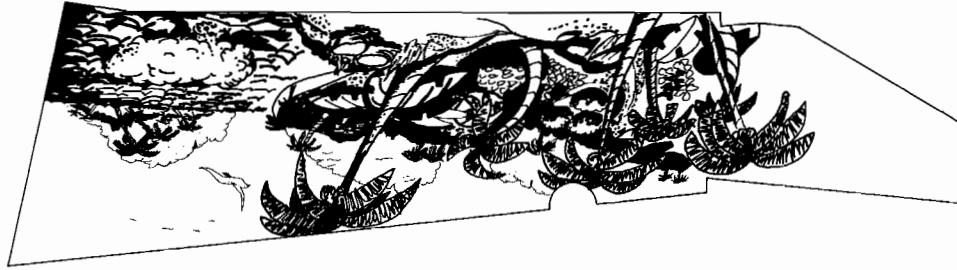
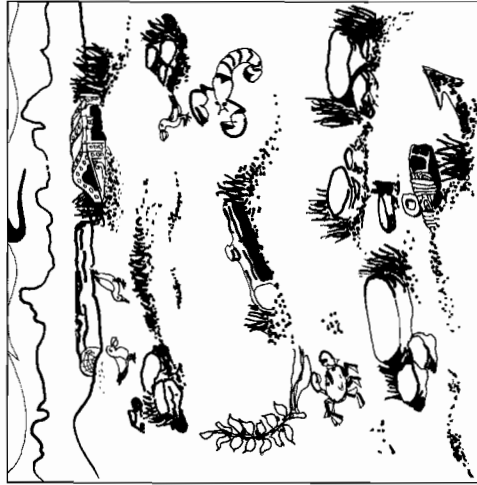
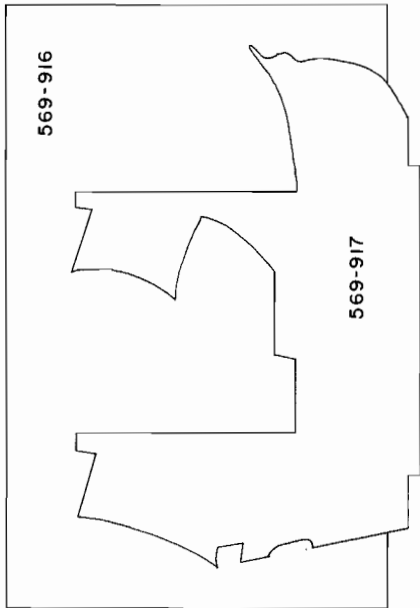
MIDWAY MFG. CO.

**PRICE LIST**  
*ORDER BY PART NUMBER ONLY*

ITEM	PART N <sup>o</sup>	DESCRIPTION	PRICE
	10-212-1	SPRING – DETENT	.20 EA.
	17-3-125	TAPE CARTRIDGE	8.00 EA.
	17-080-41-13	RUBBER GROMMET	.20 EA.
	X17-100-21	"E" RING (7/32")	.20 EA.
	17-226-42-16	PLASTIC SNAP BUSHING	.20 EA.
	17-243-41-17	DRIVE BELT (4" I.D.)	1.00 EA.
	40-40905	MOTOR – TAPE DECK (50 & 60C). 1600 RPM	16.00 EA.
	52-001	FLYWHEEL ASSEMBLY	9.50 EA.
	52-003	HEAD MOUNTING ASSEMBLY	5.80 EA.
	52-008	CHASSIS ASSEMBLY	7.20 EA.
	52-009	BEARING PLATE ASSEMBLY	7.90 EA.
	52-016	COMPLETE TAPE UNIT W/O CARTRIDGE	95.00 EA.
	52-102	TOP PLATE	1.20 EA.
	52-103	TAPE GUIDE	.80 EA.
	52-115	CHASSIS COVER	3.20 EA.
	52-701	MOUNTING POST (2–11/16" LG.)	1.20 EA.
	52-703	MOTOR MOUNTING POST (3 REQUIRED)	.60 EA.
	52-706	MOUNTING POST (1–1/2" LG.)	.70 EA.
	52-709	MOTOR PULLEY (60C.)	2.60 EA.
	52-710	MOTOR PULLEY (50C.)	2.80 EA.
	52-901	WASHER – SPECIAL	.20 EA.
	568-048	TAPE DECK MOUNTING BRACKET ASSEMBLY (2 REQUIRED) (NOT SHOWN)	.70 EA.
	569-923-88	TAPE DECK PRE-AMP P. C.	30.80 EA.

**MIDWAY MFG. CO.**

PRICES SUBJECT TO CHANGE WITHOUT NOTICE



**PRICE LIST***ORDER BY PART NUMBER ONLY*

<b>ITEM</b>	<b>PART N<sup>o</sup></b>	<b>DESCRIPTION</b>	<b>PRICE</b>
	569-915	SCENERY WAVES	6.40 EA.
	569-916	SCENERY BACKDROP	6.40 EA.
	569-917	SCENERY PIRATE BOAT	6.40 EA.
	569-922R	SIDE SCENERY CARD (RIGHT)	10.00 EA.
	569-922L	SIDE SCENERY CARD (LEFT)	10.00 EA.
	569-924	PLAYFIELD SCENERY PANEL	20.00 EA.

**MIDWAY MFG. CO.**

PRICES SUBJECT TO CHANGE WITHOUT NOTICE

PAGE 27

**PRICE LIST****ORDER BY PART NUMBER ONLY**

ITEM	PART NO	DESCRIPTION	PRICE
	M29-800	EXTENDED PLAY RELAY COIL	2.40 EA.
	M34-2400	RELAY COILS (3 REQUIRED)	2.40 EA.
	M35-3000 DC.	RELAY COILS (7 REQUIRED)	2.20 EA.
	M36-3300	RELAY COILS (11 REQUIRED)	2.60 EA.
	MT-32	TRANSFORMER 50 & 60 CYCLE	23.80 EA.
	MT-41	TRANSFORMER 60 CYCLE	32.80 EA.
	MT-42	TRANSFORMER 50 CYCLE	41.60 EA.
	G31-1800	START & TRIGGER RELAY COILS	2.20 EA.
	G32-2500	RELAY COILS (7 REQUIRED)	2.00 EA.
	17-9-122	MIRROR 1/4 X 14-11/16 X 27-3/4"	16.80 EA.
	17-050-1	1350 KEY (ONLY)	.80 EA.
	17-050-5-46	LOCK (1350) WITH KEYS – CABINET DOOR (2 REQUIRED)	3.40 EA.
	17-093-102-48	2" LEG LEVELERS & NUT (4 REQUIRED)	.40 EA.
	17-098-3-27	COUNTER (50V.)	6.00 EA.
	17-125-3-64	A. C. LINE CORD (16 FT.)	4.00 EA.
	17-175-3-32	4" DIAMETER SPEAKER (2 REQUIRED)	5.40 EA.
	17-188-3-47	24" BLACKLITE LAMP	26.70 EA.
	549-043	SIDE ACCESS DOOR ASSEMBLY (WHITE)	2.20 EA.
	549-141	GLASS LOCK BRACKETS (2 REQUIRED)	1.00 EA.
	563-051	CASH BOX	8.80 EA.
	563-072	REFLECTOR & FLUORESCENT ASSEMBLY	39.00 EA.
	563-157	CASH BOX COVER	1.60 EA.
	569-001	BEZEL ASSEMBLY (2 REQUIRED)	1.80 EA.
	569-048	STYLUS P.C. MTG. BRK'T. ASS'Y. (2 REQ'D.)	6.40 EA.
	569-902	SCORE GLASS (DOMESTIC)	34.50 EA.
	569-902-1	SCORE GLASS (FOREIGN) – TEMPERED	58.00 EA.
	569-907-88	AMPLIFIER UNIT	108.00 EA.
	569-910-88	PROGRAMMER TIMER UNIT	56.00 EA.
	569-918-88	MOTOR SPEED UNIT	54.50 EA.
	569-919-88	POWER SUPPLY UNIT	9.20 EA.
	569-921-88	PHOTO CELL DETECTOR UNIT	88.00 EA.
	569-923-88	PRE-AMP UNIT	31.00 EA.
	569-925	2nd PLAYER STYLUS (RIGHT)	10.20 EA.
	569-929	PROGRAM STEP-UP UNIT	6.00 EA.
	569-930	1st PLAYER STYLUS (LEFT)	10.20 EA.

**MIDWAY MFG. CO.**