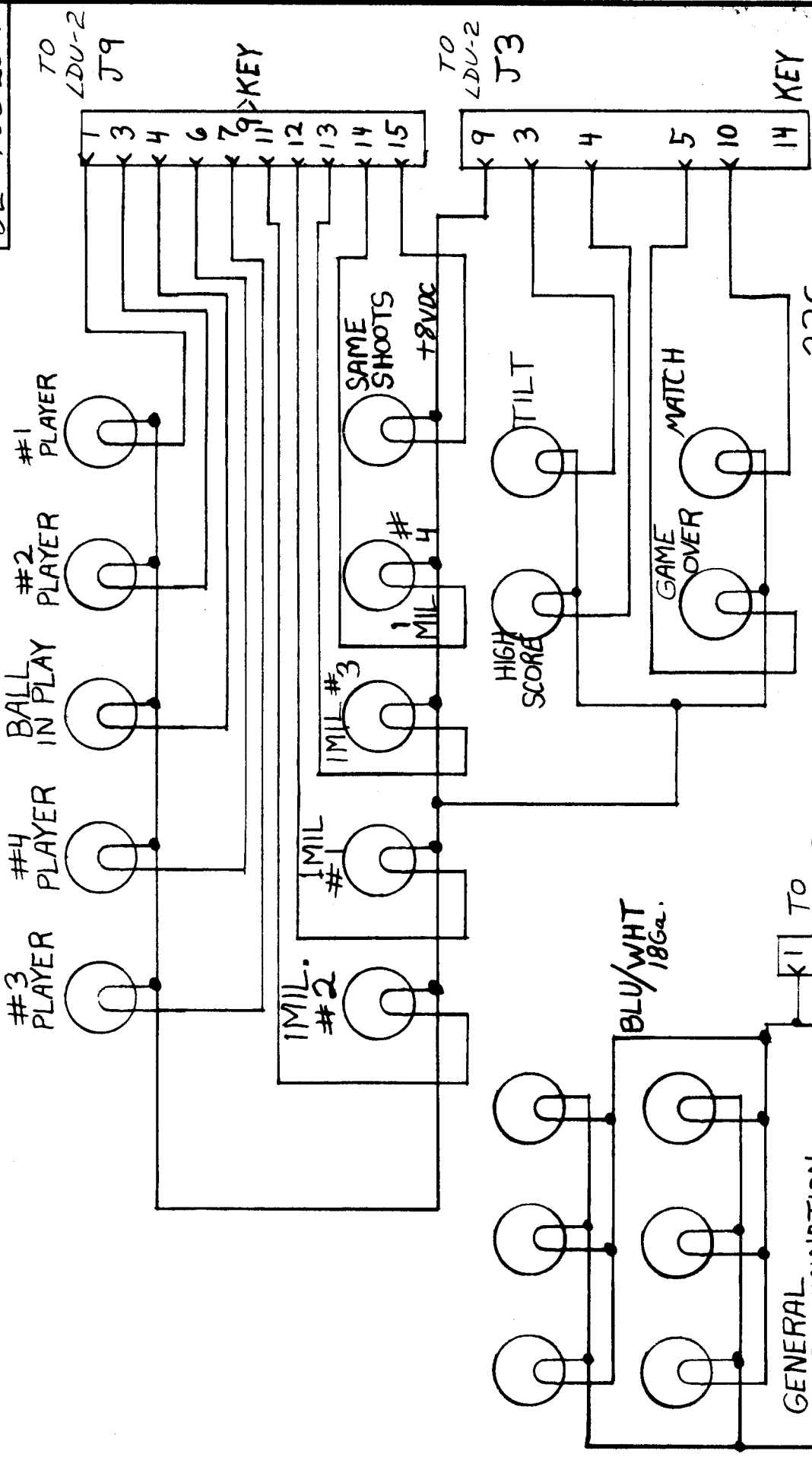


Drawing Number  
02-70020A



Used On MOD. 130  
**SHARP SHOOTER**  
PARTS MUST BE CLEAN  
AND FREE OF BURRS

22Ga.  
GAME PLAN Inc. TEST  
1515 W. Fullerton Ave DEPT.  
Addison ILL. 60101

Scale \_\_\_\_\_ Finish \_\_\_\_\_  
Drawn By \_\_\_\_\_  
Date 6-12-79 Amt \_\_\_\_\_  
App'd By *[Signature]*

Mat'l \_\_\_\_\_ Drawing Number  
02-70020A

**INSERT**  
WIRING  
DIAGRAM  
MODEL 130

ISSUE	CHANGE	DATE