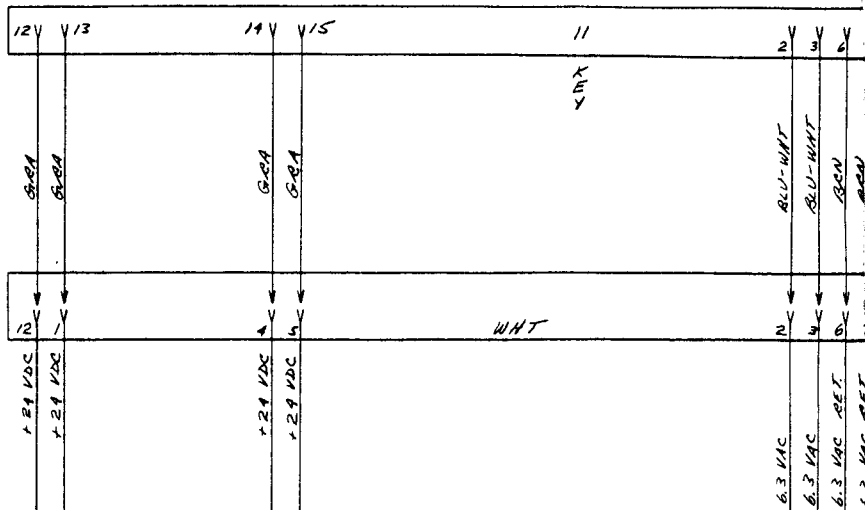
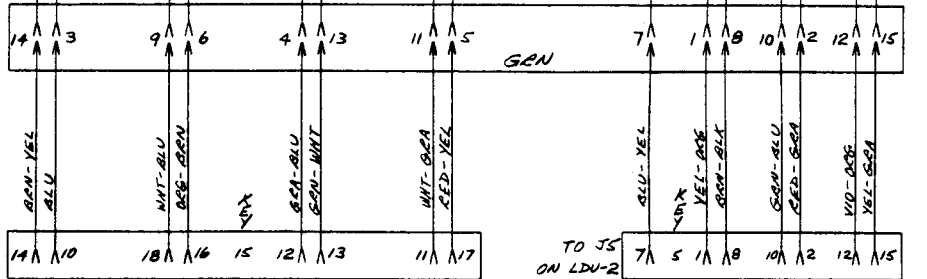
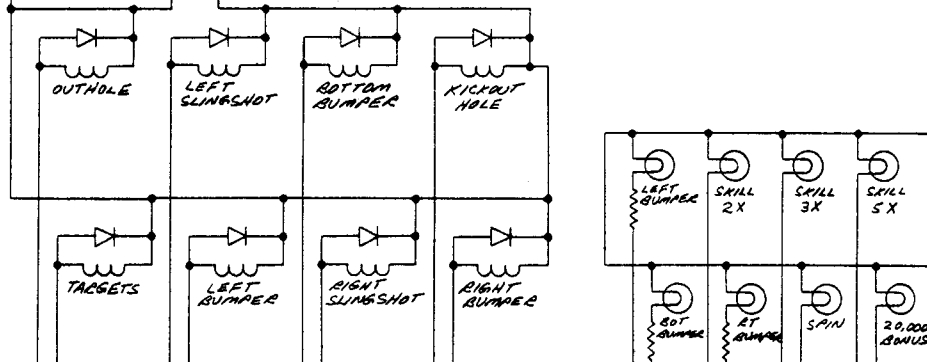
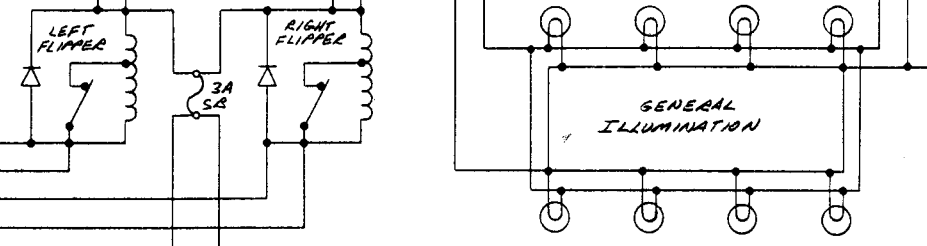
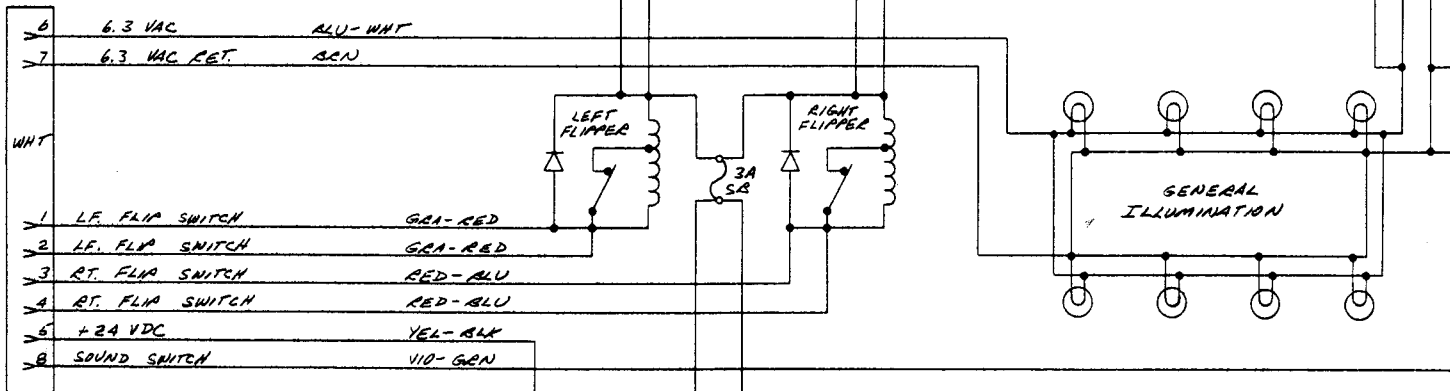


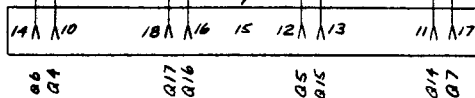
TO J15 ON POWER SUPPLY



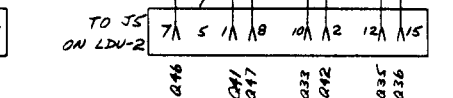
TO CABINET

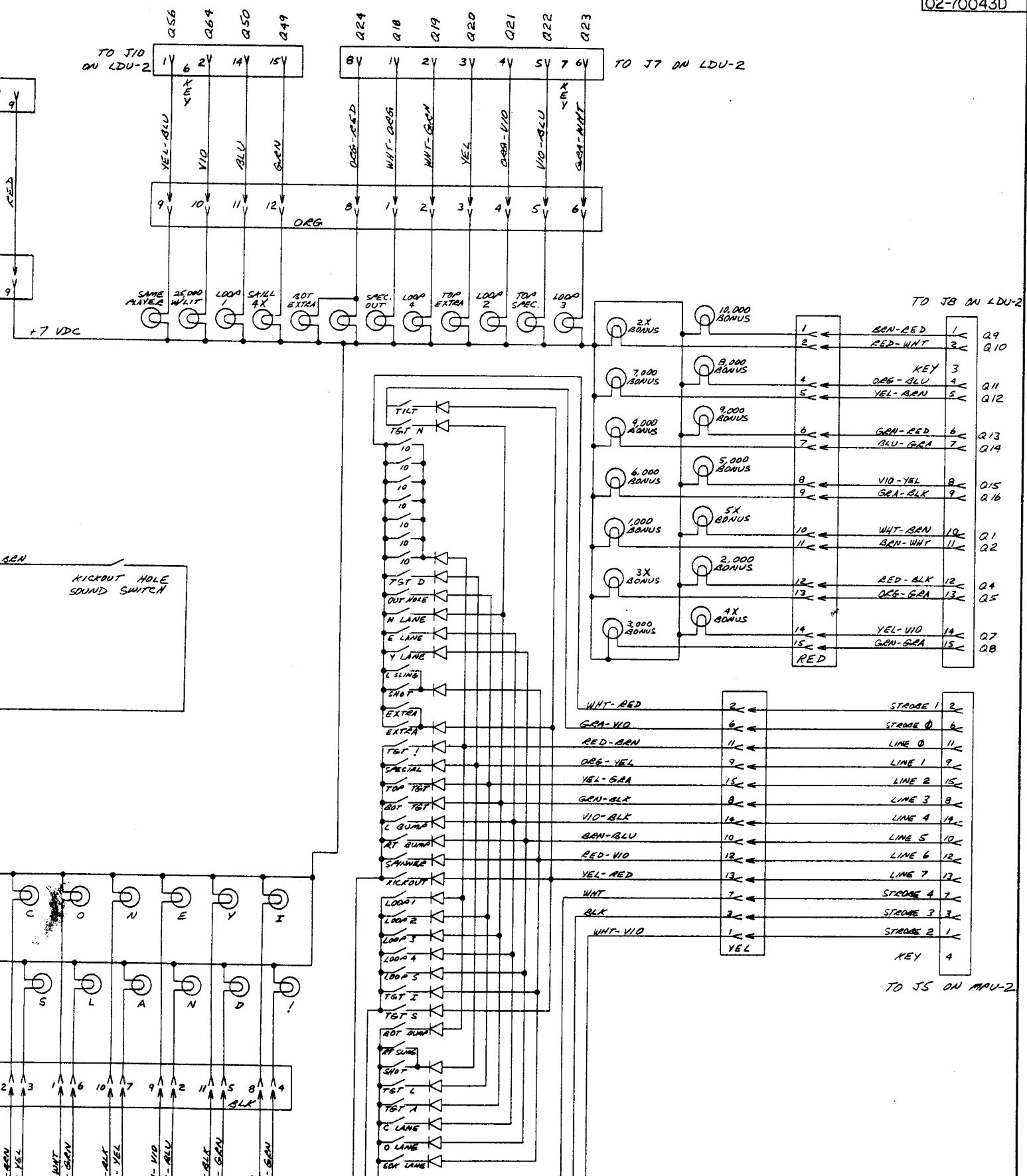


TO J1 ON SDU-1

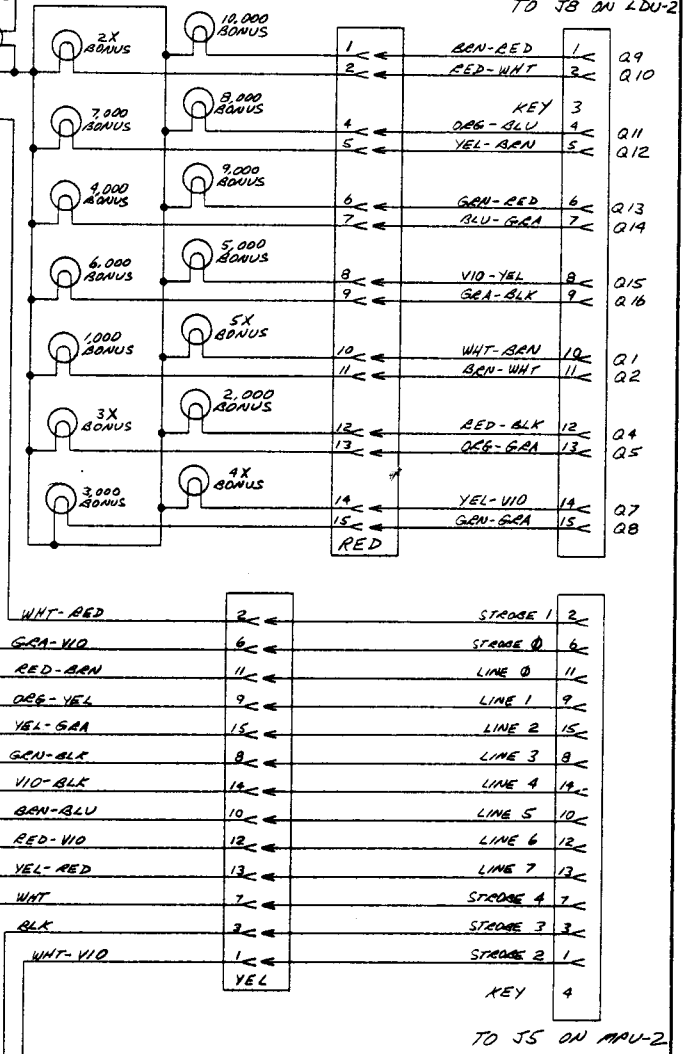
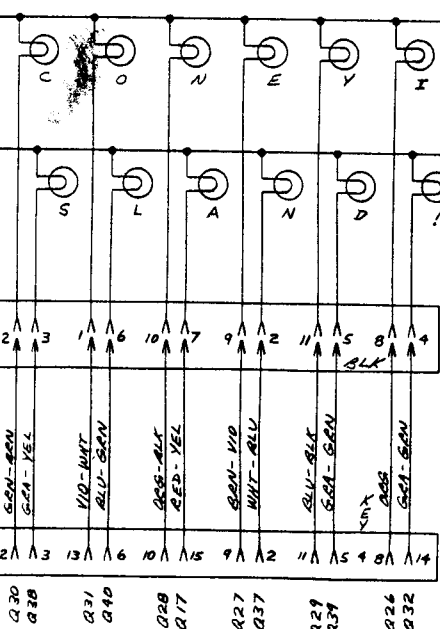


TO J5 ON LDU-2





KICKOUT HOLE  
SOUND SWITCH



Use On CAVEY ISLAND!		GAME PLAN Inc. 1515 W. Fullerton Ave Addison ILL. 60101	
PARTS MUST BE CLEAN AND FREE OF BURRS		Scale	Finish
Tolerances Unless Specified		Date 12-17-79	App. By
Fractional	± .015	Drawing Number	
Decimal	± .008	02-70043D	
Angles	± 1/2	MODEL 180 PLAYFIELD	
Screw Threads	Class 2		

ISSUE	CHANGE	DATE