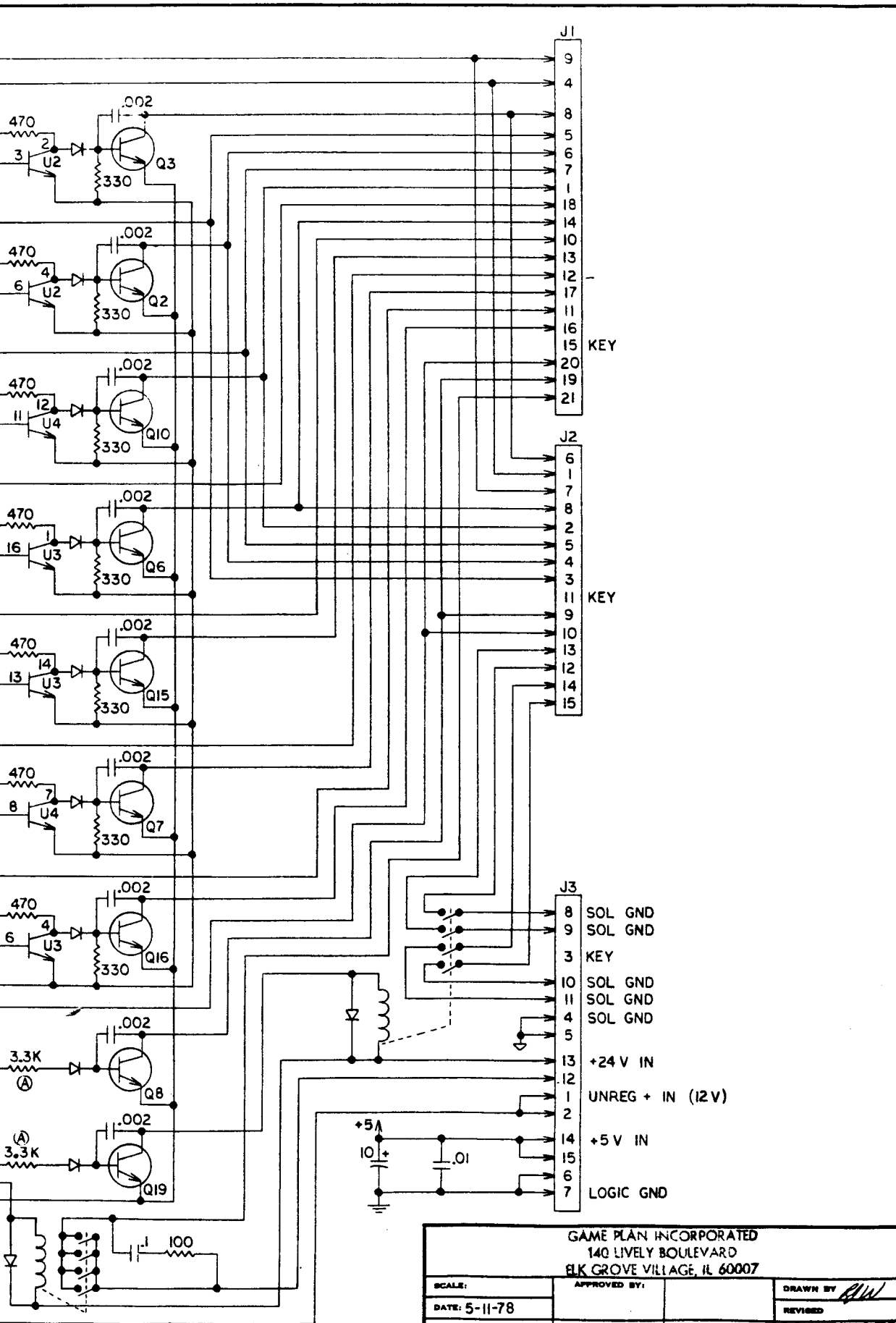


1. ALL DIODES ARE 1N4004.
2. POWER TRANSISTORS ARE RCA 121, SE9301, 2N6388, OR EQUIV.
3. U2, U3, AND U4 ARE ULN2081 OR CA3081. PINS 5 AND 15 GND.



GAME PLAN INCORPORATED 140 LIVELY BOULEVARD ELK GROVE VILLAGE, IL 60007		
SCALE:	APPROVED BY:	DRAWN BY <i>AW</i>
DATE: 5-11-78		REVISED
		A18-9-78/22
SDU-1 SOLENOID DRIVER		DRAWING NUMBER 02-70004C