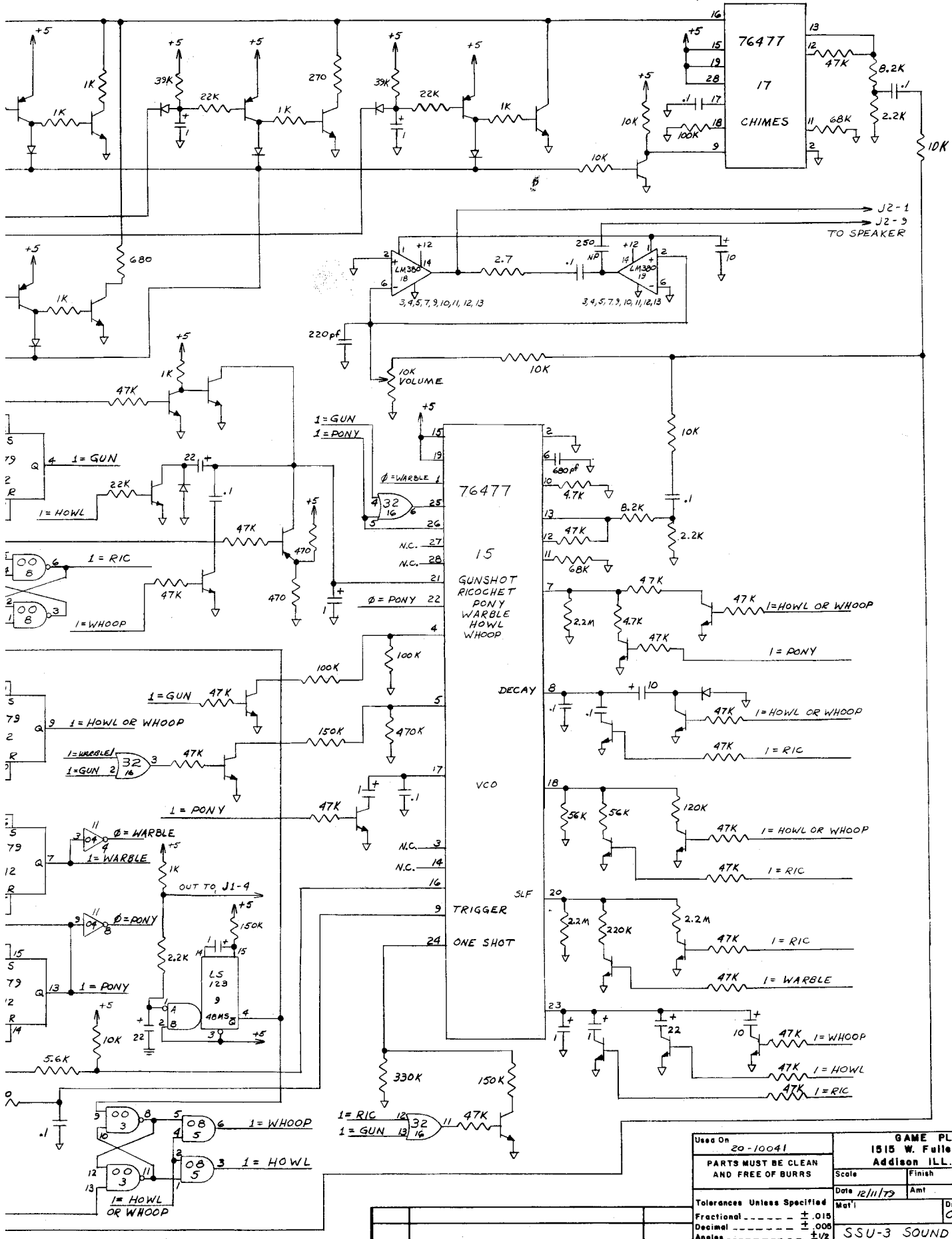


NOTES

- 1. ALL PNP TRANSISTORS ARE 2N4403 (PIN 25-10003N)
- 2. ALL NPN TRANSISTORS ARE 2N3904 (PIN 25-10004N)
- 3. ALL CAPACITORS ARE IN MICROFARADS UNLESS OTHERWISE NOTED.
- 4. ALL DIODES ARE 1N4148 (PIN 25-00002N)



Used On	20-10041		
PARTS MUST BE CLEAN AND FREE OF BURRS	Scale	Finish	Drawn By
Tolerances Unless Specified	Date 12/11/79	Amt	App. By
Fractional ----- ± .015	Mo'l		Drawing Number
Decimal ----- ± .005			02-70042
Angles ----- ± 1/2°	SSU-3 SOUND SYSTEM		