

NOT SHOWN

- 116
- 117
- 118
- 119

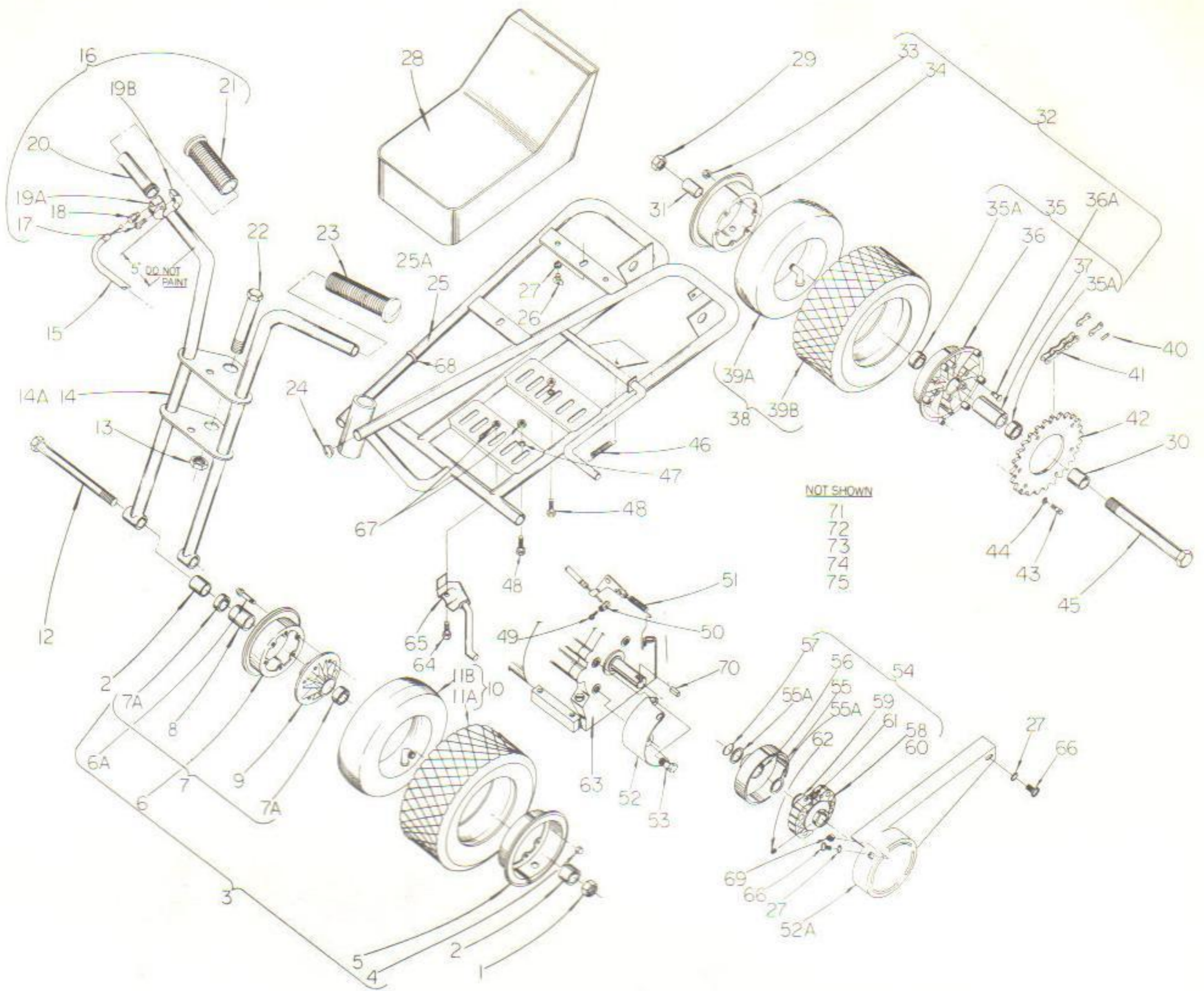
PARTS LIST FOR 1969 BANCHI CYCLE

Ref. No.	Part No.	Description	No. Req.	Ref. No.	Part No.	Description	No. Req.
1	14032	5/8 - 18 Coneloc Nut (Full)	2	65	12845	6" Rear Wheel Assy., Less T & T	1
2	13871	Wheel Spacer	2	66	13353	6" Casting W/Bearings & Studs	1
3	12965	Front Wheel Assy., Less T & T	1	67	12835	6" Wheel Casting	1
4	10257	Acorn Nut 10 - 32	12	68	10253	Wheel Stud 10 - 32	6
5	11396	6" Chrome Rim W/Valve Hole	2	69	13808	Rupp "Trials" Tire & Tube, 14 x 6	1
6	11399	Acorn Wheel Stud 10 - 32	6	70	13729	Rupp "Trials" Tire, 14 x 6	1
7	11573	6" Chrome Rim W/O Valve Hole	1	71	14215	Drive Chain 35 140 PT	1
8	13296	6" Front Wheel Casting Assy.	1	72	10326	35 Master Link	1
9	10429	Wheel Bearing	4	73	13780	Brake Drum	1
10	11401	6" Front Wheel Casting	1	74	13044	1/4 - 20 x 5/8 Hex Hd. Cap Screw (Thin Hd.)	12
11	12846	Spacer Tube, Wheel Bearing	2				
12	13811	6" Tire & Tube, 14 x 6	1	75	13787	Brake Assy., Complete	1
13	13809	6" Inner Tube, 14 x 6	2	76	13782	Brake Actuator Cam	1
14	13810	6" Tire, 14 x 6	1	77	13781	Brake Shoe Return Spring	2
15	12891	Axle Bolt	1	78	13866	Brake Shoe W/Lining	2
16	13847	Front Fender, Painted	1	79	13776	Backing Plate	1
17	10467	Mounting Clamp	2	80	13784	Brake Arm Return Spring	1
18	14045	1/4" Ext. Tooth Lockwasher	4	81	14049	1/16 x 1/2 Cotter Pin	2
19	14108	14 x 3/8 Hex Hd. Self Tap. Screw	4	82	14243	Brake Arm	1
20	14033	5/8 - 18 Coneloc Nut (Thin)	1	83	14039	5/16 S.A.E. Flat Washer	1
21	11154	Steering Column Bolt	1	84	14034	5/16 - 24 Castle Nut	1
22	14106	Fork (Unpainted)	1	85	13834	80 Tooth Sprocket	1
22A	14107	Fork (Painted - Specify Color)	1	86	13821	Clevis Pin	1
23	13994	1/4 - 28 x 1-1/4 Hex Hd. Cap Screw	2	87	14037	1/4 S.A.E. Flat Washer	1
24	14027	1/4 - 28 Coneloc Nut	2	88	14029	5/16 - 18 Coneloc Nut	2
25	11598	Front Shock Assy., Complete	2	89	14000	5/16 - 18 x 1 Hex Hd. Cap Screw	2
26	13207	Strut	2	90	12382	Pedal Tube	2
27	13203	Strut Plug, Upper	2	91	11267	Plastic Pedal Cover	2
28	13206	Strut Spring	2	92	10176	Cable Stop Clamp	1
29	10107	Steering Column Bearing	2	93	10683	Throttle Return Spring	1
30	12958	Tank Mtg. Rubber Strip, Front	1	94	14016	8 - 32 x 5/16 Sl. Hex Hd. Mach. Screw	1
31	14043	10 Split Lock Washer	3	95	14024	5/16 - 18 Hex Nut	5
32	14008	10 - 32 x 5/8 Socket Hd. Cap Screw	3	96	14047	5/16 Split Lockwasher	5
33	12957	Tank Mtg. Rubber Strip, Rear	1	97	10934	Nylon Cable Retainer	3
34	11825	Rubber Well Nut	3	98	14002	5/16 - 18 x 1 1/2 Hex Hd. Cap Screw	5
35	13882	Main Frame (Unpainted)	1	99	12983	Kickstand	1
35A	13883	Main Frame (Painted - Specify Color)	1	100	12976	2.5 H.P. Lauson Eng.	1
36	10109	Plastic Grip 7/8 I.D.	1	101	10446	Chain Guard Adaptor	1
37	13812	Brake Hand Lever, Complete	1	102	12495	Key	1
38	13813	Brake Lever Cable Ferrule	1	103	13995	5/16 - 24 x 1/2 Hex Hd. Cap Screw	2
39	13814	Ferrule Lock Nut	1	104	13914	11 T Clutch, Complete	1
40	13816	Brake Lever Clamp	1	105	12456	Clutch Retaining Ring	1
41	13815	Fillister Hd. Mach. Screw 5mm Dia.x18mm LG	2	106	13946	Washer	2
41A	13959	Pan Hd. Mach.Screw 6mm-1mm Ditch x 18mm LG	1	107	13917	11 T Drum & Sprocket	1
41B	13960	Hex Nut 6mm - 1mm Pitch	1	108	13918	Clutch Bearing	1
41C	13961	Ext. Tooth Lock Washer 6mm	1	109	13915	Drive Hub	1
42	13865	Brake Cable Assy., Rear	1	110	13908	Springs, Yellow	2
43	11584	Throttle Twist Grip Assy. W/Grip	1	111	13907	Shoes	2
44	10576	Plastic Grip 1" I.D.	1	112	13916	Drive Hub W/Shoes & Springs	1
45	10514	Ferrule, Twist Grip	1	113	14021	1/4 - 28 x 1/4 Socket Set Screw, Nyloc	2
46	10511	Barrell, Twist Grip	1	114	14013	1/4 - 20 x 1/2 Pan Hd. Mach. Screw	3
47	14017	10 - 32 x 1/2 Fill. Hd. Mach. Screw	2	115	11137	Chain Guard, Chrome	1
48	10512	Cable Adaptor Ring	1	116	12534	PARTS NOT SHOWN	
49	10513	Adaptor Ring	1	117	12533	Caution Decal (Hands & Feet)	1
50	10140	36" Throttle Cable	1	118	13937	Caution Decal (One Rider)	1
51	13019	Fuel Tank Assy., Painted (Complete)	1	119	13817	"Banchi" Decal	2
52	13576	Fuel Tank Body W/Mounts	1			Round "Rupp" Decal	2
53	10829	Cap	1			MISC. & OPTIONAL EQUIP.	
54	12151	Outlet Elbow	1		11593	Clear Windshield	
55	12698	Fuel Line 11' LG	1		13087	Horn	
56	12499	Seat	1		13063	Basket Kit	
57	14044	1/4" Split Lock Washer	18		13899	Mirror	
58	11157	1/4 - 20 x 5/8 Thumb Screw	2		11592	Rubber Shock Covers (Pair)	
59	13992	1/4 - 20 x 1/2 Hex Hd. Cap Screw	1		13952	"Rally Yellow" Spray Bomb	
60	13851	Rear Fender, Painted	1		13833	72 Tooth Sprocket	
61	10502	1/4 - 20 Tinnerman Nut	3		13832	60 Tooth Sprocket	
62	13842	Axle Bolt	1				
63	12966	Belleville Washer	2				
64	12808	Wheel Spacer	1				



RUPP MANUFACTURING, INC.
P. O. BOX 1095, MANSFIELD, OHIO 44903

MANUFACTURERS OF "QUALITY IN MOTION," SNOW VEHICLES / RACING KARTS / CYCLES



Ref. No.	Part No.	Description	No. Req.	Ref. No.	Part No.	Description	No. Req.
1	14032	5/8 - 18 Conelok Nut (Full)	1	29	14032	5/8 - 18 Conelok Nut (Full)	1
2	11489	Front Wheel Spacer	2	30	12843	Wheel Spacer	1
3	12965	6" Front Wheel Assy, Less T & T	1	31	12844	Wheel Spacer	1
4	10257	Acorn Nut 10 - 32	6	32	12845	6" Rear Wheel Assy, Less T & T	1
5	11396	6" Chrome Rim W/Valve Hole	1	33	10257	Acorn Nut 10 - 32	6
6	11573	6" Chrome Rim W/O Valve Hole	1	34	11396	6" Chrome Rim W/Valve Hole	1
6A	11399	Acorn Wheel Stud 10 - 32	6	35	13353	6" Casting W/Brng's, Spacer & Studs	1
7	13296	6" Front Wheel Casting Assy	1	35A	10429	Wheel Bearing	2
7A	10429	Wheel Bearing	2	36	12835	6" Rear Wheel Casting	1
8	12846	Spacer Tube, Wheel Bearing	1	36A	10253	Wheel Stud 10 - 32	6
9	11401	6" Front Wheel Casting	1	37	12846	Spacer Tube, Wheel Bearing	1
10	11472	6" Tire & Tube, 4:10/3:50 x 6	1	38	11472	6" Tire & Tube, 4:10/3:50 x 6	1
11A	10125	6" Studded Tire, 4:10/3:50 x 6	1	39A	10124	6" Inner Tube	1
11B	10124	6" Inner Tube	1	39B	10125	6" Studded Tire, 4:10/3:50 x 6	1
12	12891	Front Axle	1	40	10326	35 Master Link	1
13	14033	5/8 - 18 Conelok Nut (Thin)	1	41	12810	Drive Chain 35 122 pt	1
14	11275	Fork (Unpainted)	1	42	13833	Plate Sprocket, 72T	1
14A	12526	Fork (Painted)	1	43	13993	1/4 - 20 x 3/4 Hex Hd. Cap Screw	6
15	10140	36" Throttle Cable	1	44	14044	1/4 Split Lock Washer	6
16	11584	Throttle Twist Grip Assy	1	45	11154	Rear Axle	1
17	14017	10 - 32 x 1/2 Fill. Hd. Screw	2	46	10041	Brake Spring	1
18	10514	Ferrule, Twist Grip	1	47	14047	5/16 Split Lock Washer	5
19A	10512	Cable Adaptor Ring	1	48	14002	5/16 - 18 x 1 1/2 Hex Hd. Cap Screw	4
19B	10513	Adaptor Ring	1	49	14016	8-32 x 5/16 Slot. HexHd. Mach. Screw	1
20	10511	Barrel, Twist Grip	1	50	10176	Cable Stop Clamp	1
21	10576	1" Plastic Grip	1	51	10683	Throttle Return Spring	1
22	10111	Steering Column Bolt	1	52	10446	Chain Guard Adaptor	1
23	10109	7/8" Plastic Grip	1	52A	13837	Chain Guard, Chrome	1
24	12364	Tube Plug	2	53	13995	5/16 - 24 x 1/2 Hex Hd. Cap Screw	2
25	11120	Main Frame (Unpainted)	1	54	13914	11 T Clutch, Complete	1
25A	12525	Main Frame (Painted)	1	55	13917	11 T Drum & Sprocket	1
26	11157	1/4 - 20 x 5/8 Thumb Screw	2	56	13918	Clutch Bearing	1
27	14044	1/4 Split Lock Washer	5	57	12456	Clutch Retaining Ring	1
28	12499	Seat	1	58	13907	Clutch Shoes (2)	2

Ref. No.	Part No.	Description	No. Req.	Ref. No.	Part No.	Description	No. Req.
59	13915	Drive Hub Only	1	73	12533	Caution Decal (One Rider)	1
60	13916	Drive Hub W/Shoes & Springs	1	74	13817	Round "Rupp" Decal	1
61	13908	Springs, Yellow(2)	2	75	13818	"Chopper" Decal	1
62	14021	1/4 - 28 x 1/4 Socket Set Screw, Nylok	2			MISC. & OPTIONAL EQUIP.	
63	12178	2.5 H.P. Lauson Engine	1		13966	"Rally Red" Spray Bomb	
64	14002	5/16 - 18 x 1 1/2 Hex Hd. Cap Screw	1		13950	"Rally Green" Spray Bomb	
65	13804	Kick Stand	1		13951	"Rally Blue" Spray Bomb	
66	14013	1/4 - 20 x 1/2 Pan Hd. Mach. Screw	3		13952	"Rally Yellow" Spray Bomb	
67	14024	5/16 - 18 Hex Nut	5		13953	"Rally Orange" Spray Bomb	
68	10934	Nylon Cable Retainer	1		13899	Mirror	
69	10502	1/4 - 20 Tinnerman Nut	2		13063	Basket Kit	
70	12495	Key	1		11593	Clear Windshield	
		Parts Not Shown			13832	60 Tooth Sprocket	
71	13160	Serial No. Decal	1		13834	80 Tooth Sprocket	
72	12534	Caution Decal (Hands & Feet)	1				

ASSEMBLY INSTRUCTIONS FOR CHOPPER I & II CYCLES

Remove all parts from carton and check with parts list to be certain you have all parts listed. After checking, follow the sequence below for easy assembly.

- Hook brake spring No. 46 in place. Clean the frame No. 25 and fork No. 14 with any nonflammable solvent. Paint color desired. Caution! Do not paint the last 5" on the right hand handle bar.
- Assemble the front wheel by first tapping either wheel bearing No. 7A into the wheel casting No. 9. Do this by placing the casting hub on a smooth clean surface. Position the bearing in the hub and tap in place using a block of wood until the bearing is flush with the casting hub. Insert the bearing spacer tube No. 8 in the hub, against the bearing already there, and tap the other bearing in place. The innertube No. 11B and tire No. 11A now go over the casting and the wheel rims No. 5 and No. 6 placed on each side and fastened using 6 acorn studs No. 6A and 6 acorn nuts No. 4. Inflate with 25 lbs. of air.
- Assemble the rear wheel using bearings No. 35A, bearing spacer tube No. 37 and rear wheel casting No. 36 the same way the front wheel was assembled. Next, drive the 6 wheel studs No. 36A thru the 6 stud holes in the casting. Make certain the stud heads are driven firmly against the casting. Position innertube and tire on casting and place wheel rim No. 34 over the wheel studs, securing with the 6 acorn nuts No. 33. Secure the 72 tooth plate sprocket No. 42 to the casting with (6) 1/4-20x3/4 hex head cap screws No. 43 and lock washer No. 44. Inflate tire with 25 lbs. of air.

4. (CHOPPER I ONLY)

Assemble the engine as follows: Align the two slotted holes closest together in the chain guard adaptor No. 52 with the two tapped holes in the engine and fasten with the two 5/16-24x1/2 hex hd cap screw No. 53. Slide the clutch No. 54 on the engine shaft with the sprocket towards the engine. Place the key No. 70 in the keyway. Tighten the two set screws securely to the engine shaft.

Hook one end of the throttle return spring No. 51 into the end hole in the throttle arm (see fig. 1) and the other end into the hole in the face of the engine. Remove the "throttle arm" end of the spring that comes on the engine to the last hole in the throttle arm (see fig. 1).

- Assemble the frame No. 25 and fork No. 14 using steering column bolt No. 22 and 5/8-18 lock nut (thin) No. 13. Push the tube plugs No. 24 into end of frame tubes.

- Place the front wheel assy in the fork. Insert front axle bolt No. 12 thru one side of the fork and slip on a 3/8" LG wheel spacer No. 2. Push the axle thru the wheel and insert the other 3/8" LG wheel spacer No. 2. Finish pushing the axle thru the other side of the fork and secure with 5/8-18 locknut (thick) No. 1.

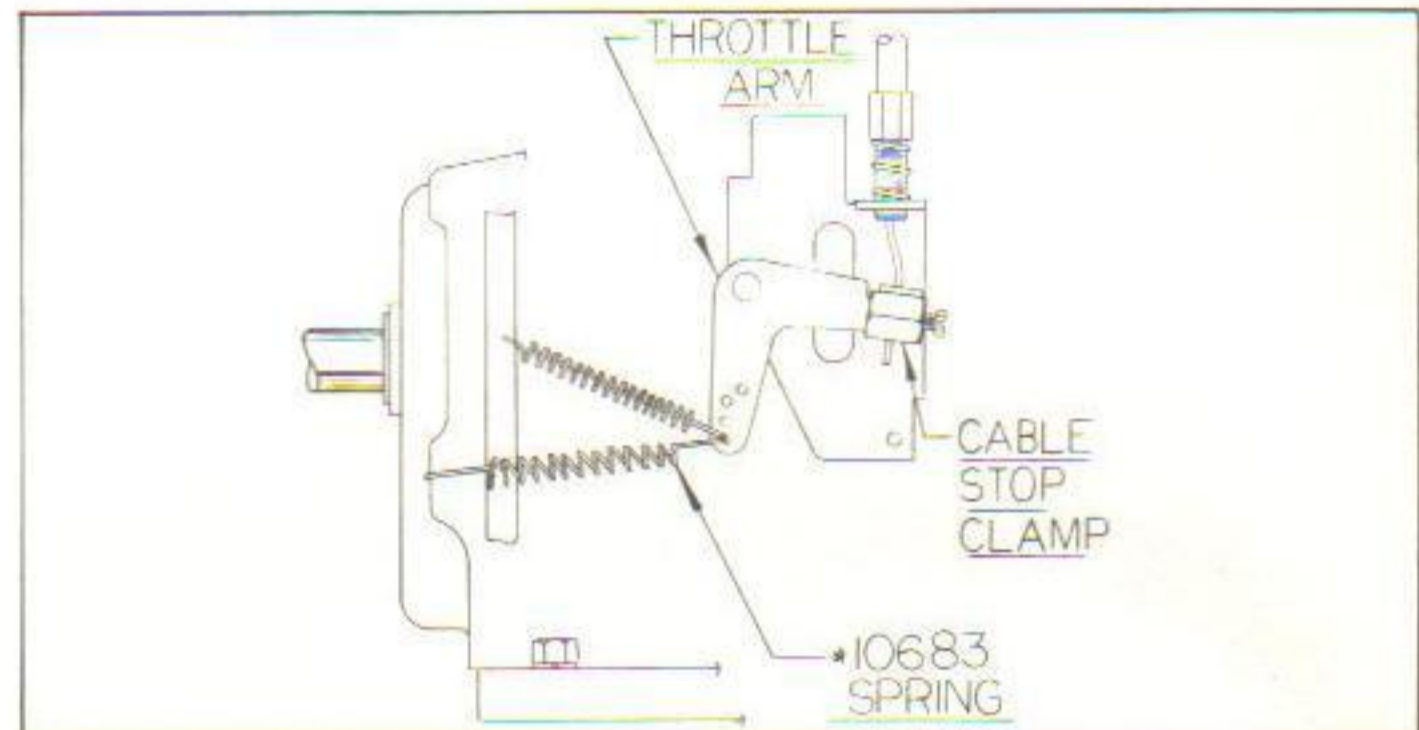


FIGURE 1

- Place the rear wheel assembly in the frame with the sprocket to the left. Insert the rear axle bolt No. 45 thru the left axle bracket and insert the 1-1/16" LG spacer No. 30 on the axle. Push the axle thru the wheel assy and insert the 15/16" LG spacer No. 31. Finish pushing the axle thru the right axle bracket and secure with the remaining 5/8-18 locknut (thick) No. 29.

8. (CHOPPER I ONLY)

Place the engine in the frame with the clutch to the left and center engine mounting holes over the extreme right set of slots in the engine mounts. Bolt engine in place using four 5/16-18x1 1/2 hex hd cap screws No. 48, lockwashers No. 47 and nuts No. 67. Mount the kickstand No. 65 using the remaining 5/16-18x1 1/2 hex hd cap screw, lockwasher and nut. Place the drive chain No. 41 over the sprockets and connect with the master link No. 40. Slide the engine forward in its mounting slots until the chain is straight. Tighten the engine mounting bolts and check the chain tension. Chain tension is correct when it can be deflected 1/2" to 3/4" when manually depressed with your thumb (see fig. 2). When chain tension is correct tighten engine mounting bolts securely.

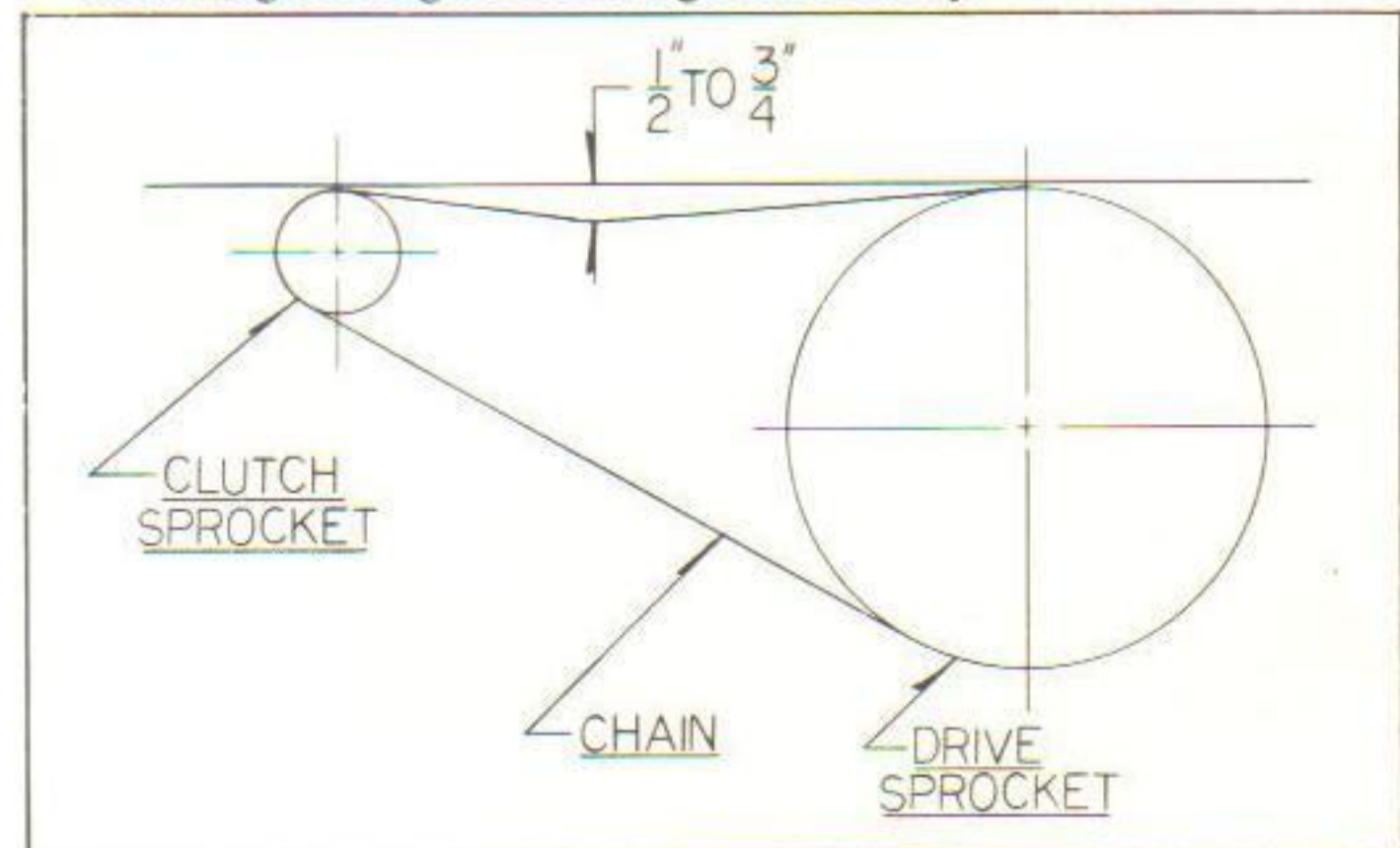
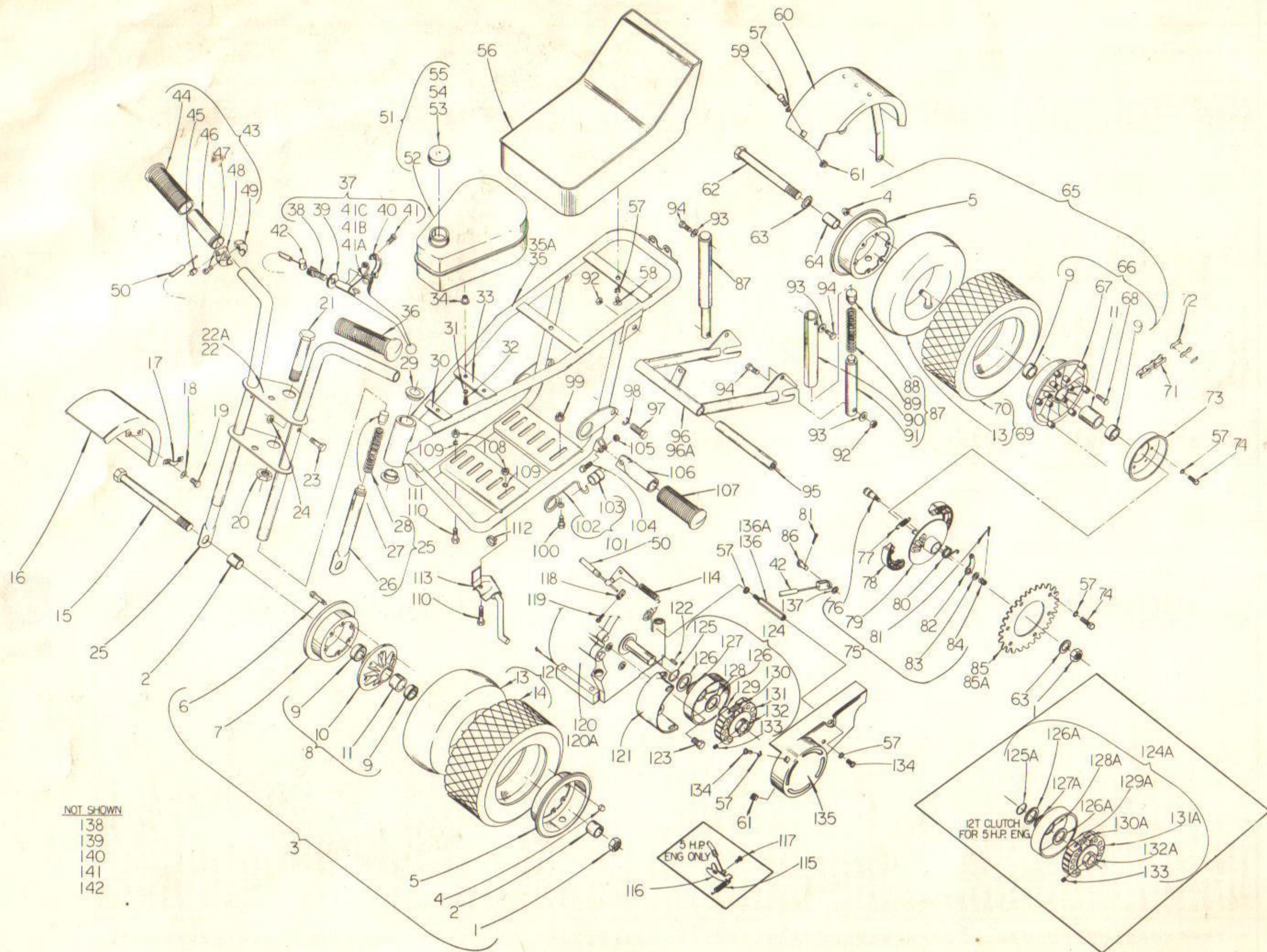


FIGURE 2



NOT SHOWN
 138
 139
 140
 141
 142

PARTS LIST FOR 1969 DIGGER & SPRINT CYCLES

Ref. No.	Description	Part No.	Digger	Sprint	Ref. No.	Description	Part No.	Digger	Sprint
			No. Req.	No. Req.				No. Req.	No. Req.
1	5/8 Conelok Nut (Full)	14032	2	2	85	72 Tooth Sprocket	13833		1
2	Wheel Spacer	13871	2	2	85A	80 Tooth Sprocket	13834	1	
3	Front Wheel Assy. Less T & T	12965	1	1	86	Clevis Pin	13821	1	1
4	Acorn Nut 10-32	10257	12	12	87	Rear Shock Assy. Complete	11582	2	2
5	6" Chrome Rim W/Valve Hole	11396	2	2	88	Upper Shock Plug	11182	2	2
6	Acorn Wheel Stud 10-32	11399	6	6	89	Rear Shock Spring	11183	2	2
7	6" Chrome Rim W/O Valve Hole	11573	1	1	90	Rear Shock Sleeve	11125	2	2
8	6" Front Wheel Casting Assy.	13296	1	1	91	Rear Shock Extension	11124	2	2
9	Wheel Bearing	10429	4	4	92	3/8 - 24 Conelok Nut (Full)	14030	4	4
10	6" Front Wheel Casting	11401	1	1	93	5/16 U.S.S. Flat Washer	14040	4	4
11	Space Tube, Wheel Bearing	12846	2	2	94	3/8 - 24 x 1 1/2 Hex Hd. Cap Screw	14007	4	4
12	6" Tire & Tube, 14 x 6	13811	1	1	95	Swing Arm Pivot Rod	11164	1	1
13	6" Inner Tube	13809	2	2	96	Swing Frame (Unpainted)	13786	1	1
14	6" Tire, 14 x 6	13810	1	1	96A	Swing Frame (paint - specify color)	13844	1	1
15	Axle Bolt	12891	1	1	97	3/8 - 24 x 1 Hex Hd Cap Screw	14005	2	2
16	Front Fender, Chrome	12831	1	1	98	3/8 Split Lock Washer	14048	2	2
17	Mounting Clamp	10467	2	2	99	5/16 - 18 FI Whiz Loc Nut	14035	1	1
18	1/4" Ext. Tooth Lock Washer	14045	4	4	100	5/16 - 18 x 1/2 FI Whiz Loc Screw	14011	1	1
19	14 x 3/8 Hex Hd Self Tap. Screw	14108	4	4	101	Chain Tension Arm Assy.	13030	1	1
20	5/8-18 Conelok Nut (Thin)	14033	1	1	102	Chain Tension Arm	13031	1	1
21	Steering Column Bolt	11154	1	1	103	Chain Tension Block	13032	1	1
22	Fork (Unpainted)	14106	1	1	104	5/16 - 18 x 1 Hex Hd Cap Screw	14000	2	2
22A	Fork (Painted - Specify Color)	14107	1	1	105	5/16 - 18 Conelok Nut (Full)	14029	2	2
23	1/4 - 28 x 1 1/4 Hex Hd Cap Screw	13994	2	2	106	Pedal Tube	12382	2	2
24	1/4 - 28 Conelok Nut (Full)	14027	2	2	107	Rubber Pedal Cover	11185	2	2
25	Front Shock Assy. Complete	11598	2	2	108	5/16 - 18 Hex Nut	14024	5	5
26	Strut	13207	2	2	109	5/16 Split Lock Washer	14047	5	5
27	Strut Plug, Upper	13203	2	2	110	5/16 - 18 x 1 1/2 Hex Hd Cap Screw	14002	1	5
28	Strut Spring	13206	2	2	111	5/16 - 18 x 5/8 Hex Hd Cap Screw	13996	4	
29	Steering Column Bearing	10107	2	2	112	Nylon Cable Retainer	10934	3	3
30	Tank Mtg. Rubber Strip, Front	12958	1	1	113	Kickstand	12983	1	1
31	10 Split Lock Washer	14043	3	3	114	Throttle Return Spring	10683		1
32	10-32x 5/8 Socket Cap Screw	14008	3	3	115	Throttle Return Spring	13050	1	
33	Tank Mtg. Rubber Strip, Rear	12957	1	1	116	Throttle Arm Assy.	13097	1	
34	Rubber Well Nut	11825	3	3	117	6 - 32 x 5/16 Sl. Hex Hd. Mach. Screw	14015	1	
35	Main Frame (Unpainted)	12851	1	1	118	Cable Stop Clamp	10176		1
35A	Main Frame (Painted - Specify Color)	12952	1	1	119	8 - 32 x 5/16 Sl. Hex Hd. Mach. Screw	14016		1
36	Rubber Grip 7/8" I.D.	10769	1	1	120	3.5 H.P. Lauson Engine	12977		1
37	Brake Hand Lever	13812	1	1	120A	5 H.P. Lauson Engine	13445	1	
38	Brake Lever Cable Ferrule	13813	1	1	121	Chain Guard Adaptor	10446	1	1
39	Ferrule Lock Nut	13814	1	1	122	Key	12495	1	1
40	Brake Lever Clamp	13816	1	1	123	5/16 - 24 x 1/2 Hex Hd. Cap Screw	13995	2	2
41	Fill. Hd Mach. Screw 5mm dia x 18mm lg.	13815	2	2	124	11T Clutch, Complete	13914		1
41A	Pan Hd Mach. Screw 6mm-1mm Pitch x 18mm lg	13959	1	1	124A	12T Clutch, Complete	13921	1	
41B	Hex Nut 6mm-1mm Pitch	13960	1	1	125	Clutch Retaining Ring	12456		1
41C	Ext. Tooth Lock Washer 6mm	13961	1	1	125A	Clutch Retaining Ring	13119	1	
42	Brake Cable Assy. Rear	13865	1	1	126	Washer	13946		2
43	Throttle Twist Grip Assy W/Grip	11583	1	1	126A	Washer	13947	2	
44	Rubber Grip 1" I.D.	10809	1	1	127	11T Drum & Sprocket	13917		1
45	Ferrule, Twist Grip	10514	1	1	127A	12T Drum & Sprocket	13922	1	
46	Barrel, Twist Grip	10511	1	1	128	Clutch Bearing	13918		1
47	10-32 x 1/2 Fill. Hd. Mach. Screw	14017	2	2	128A	Clutch Bearing	13923	1	
48	Cable Adaptor Ring	10512	1	1	129	Drive Hub	13915		1
49	Adaptor Ring	10513	1	1	129A	Drive Hub	13924	1	
50	36" Throttle Cable	10140	1	1	130	Springs, Yellow	13908		2
51	Fuel Tank Complete (paint-specify color)	13019	1	1	130A	Springs, Brown	13948	2	
52	Fuel Tank Body W/Mounts	13576	1	1	131	Clutch Shoes	13907		2
53	Cap	10829	1	1	131A	Clutch Shoes	13949	2	
54	Outlet Elbow	12151	1	1	132	Drive Hub W/Shoes & Springs	13916		1
55	Fuel Line 11" Lg.	12698	1	1	132A	Drive Hub W/Shoes & Springs	13925	1	
56	Seat	12950	1	1	133	1/4 - 28 x 1/4 Socket Set Screw, Nyloc	14021	2	2
57	1/4" Split Lock Washer	14044	19	19	134	1/4 - 20X 1/2 Pan Hd. Mach. Screw	14013	3	3
58	1/4 - 20X 5/8 Thumb Screw	11157	2	2	135	Chain Guard, Chrome	12904	1	1
59	1/4 - 20X 1/2 Hex Hd. Cap Screw	13992	1	1	136	Stud, Chain Guard Mtg.	12894		1
60	Rear Fender, Chrome	13875	1	1	136A	Stud, Chain Guard Mtg.	12895	1	
61	1/4-20 Tinnerman Nut	10502	3	3	137	1/4 S.A.E. Flat Washer	14037	1	1
62	Axle Bolt	13842	1	1					
63	Belleville Washer	12966	2	2					
64	Wheel Spacer	13789	1	1					
65	6" Rear Wheel Assy. Less T & T	12845	1	1	138	Caution Decal (Hands & Feet)	12534	1	1
66	6" Casting W/Bearing & Studs	13353	1	1	139	Caution Decal (One Rider)	12533	1	1
67	6" Wheel Casting	12835	1	1	140	"Sprint" Decal	13936		2
68	Wheel Stud 10-32	10253	6	6	141	"Digger" Decal	13935	2	
69	Rupp "Trails" Tire & Tube, 14 x 6	13808	1	1	142	Round "Rupp" Decal	13817	2	2
70	Rupp "Trails" Tire, 14 x 6	13729	1	1					
71	Drive Chain 35 138 Pt.	13553		1					
	Drive Chain 35 146 PT	14224	1						
72	35 Master Link	10326	1	1					
73	Brake Drum	13780	1	1					
74	1/4-20X 5/8 Hex Hd Cap Screw (thinhd)	13044	12	12					
75	Brake Assy. Complete	13787	1	1					
76	Brake Actuator Cam	13782	1	2					
77	Brake Shoe Return Spring	13781	2	2					
78	Brake Shoe W/Lining	13866	2	1					
79	Backing Plate	13776	1	1					
80	Brake Arm Return Spring	13784	1	2					
81	1/16 x 1/2 Cotter Pin	14049	2	1					
82	Brake Arm	13783	1	1					
83	5/16 S.A.E. Flat Washer	14039	1	1					
84	5/16 - 24 Castle Nut	14034	1	1					

PARTS NOT SHOWN

138	Caution Decal (Hands & Feet)	12534	1	1
139	Caution Decal (One Rider)	12533	1	1
140	"Sprint" Decal	13936		2
141	"Digger" Decal	13935	2	
142	Round "Rupp" Decal	13817	2	2

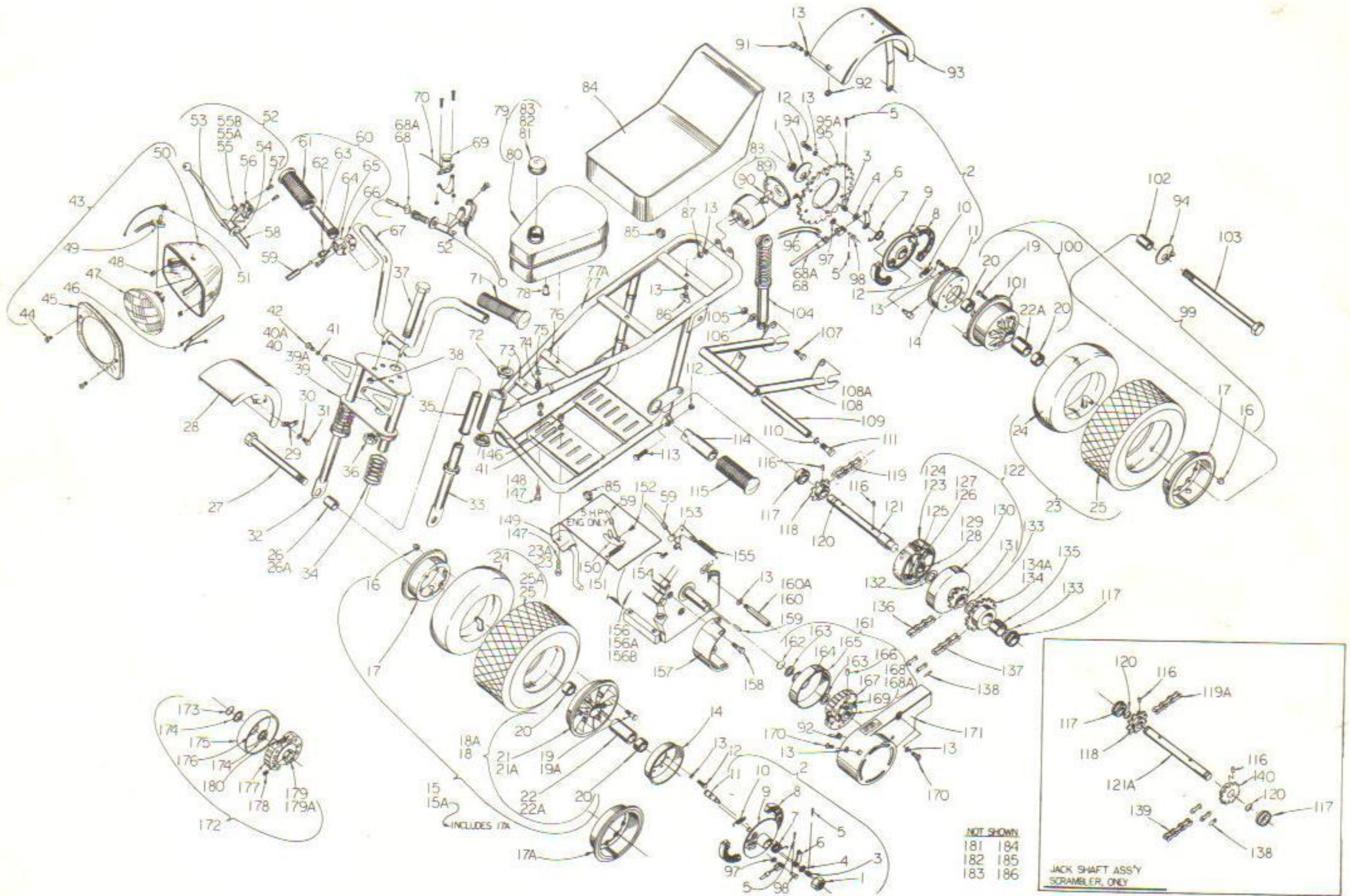
MISCELLANEOUS & OPTIONAL EQUIPMENT

	Clear Windshield	11593		
	Horn	13087		
	Basket Kit	13063		
	Mirror	13899		
	Rubber Shock Covers (Pair)	11592		
	"Rally Green" Spray Bomb	13950		
	"Rally Blue" Spray Bomb	13951		
	Exhaust Pipe Kit (Digger)	13094		
	High Performance Eng. Kit (Digger)	13127		
	60 Tooth Sprocket	13832		



RUPP MANUFACTURING, INC.
P. O. BOX 1095, MANSFIELD, OHIO 44903
MANUFACTURERS OF "QUALITY IN MOTION" SNOW VEHICLES RACING KARTS CYCLES

PARTS LIST FOR 1969 ROADSTER, GOAT & SCRAMBLER CYCLES



RUPP MANUFACTURING, INC.
P. O. BOX 1095, MANSFIELD, OHIO 44903

MANUFACTURERS OF "QUALITY IN MOTION," SNOW VEHICLES / RACING KARTS / CYCLES

Ref. No.	Description	Part No.	Roadster	Goat	Scrambler
			No. Req.	No. Req.	No. Req.
1	5/8 - 18 Conelok Nut (Full)	14032	2	2	2
2	Brake Assy, Complete	13787	2	1	2
3	5/16 - 24 Castle Nut	14034	2	1	2
4	5/16 S.A.E. Flat Washer	14039	2	1	2
5	1/16 x 1/2 Cotter Pin	14049	4	2	4
6	Brake Arm	13783	2	1	2
7	Brake Arm Return Spring	13784	2	1	2
8	Brake Shoe w/Lining	13866	4	2	4
9	Backing Plate	13776	2	1	2
10	Brake Shoe Return Spring	13781	4	2	4
11	Brake Actuator Cam	13782	2	1	2
12	1/4 - 20 x 5/8 Hex Hd. Mach. Screw (Thin Hd)	13044	18	12	18
13	1/4 Split Lockwasher	14044	27	19	27
14	Brake Drum	13780	2	1	2
15	Front Wheel Assy, Less T & T	11587	1		1
15A	Front Wheel Assy, Less T & T	12965		1	
16	Acorn Nut 10-32	10257	12	12	12
17	6" Chrome Rim W/Valve Hole	11396	2	2	2
17A	6" Chrome Rim W/O Valve Hole	11573		1	
18	6" Front Wheel Casting Assy	11588	1		1
18A	6" Front Wheel Casting Assy	13296		1	
19	Wheel Stud 10 - 32	10253	12	6	12
19A	Acorn Wheel Stud 10 - 32	11399		6	
20	Wheel Bearing	10429	4	4	4
21	6" Wheel Casting	11402	1		1
21A	6" Wheel Casting	11401		1	
22	Spacer Tube, Wheel Bearing	13806	1		1
22A	Spacer Tube, Wheel Bearing	12846	1	2	1
23	Rupp "Trials" Tire & Tube, 14 x 6	13808	2	1	2
23A	Front Tire & Tube 14 x 6	13811			1
24	6" Inner Tube	13809	2	2	2
25	Rupp "Trials" Tire, 14 x 6	13729	2	2	1
25A	Front Tire, 14 x 6	13810			1
26	Wheel Spacer	13807	1		1
26A	Wheel Spacer	13871		2	
27	Axle Bolt	12891	1	1	1
28	Front Fender, Chrome	12831	1	1	1
29	Mounting Clamp	10467	2	2	2
30	1/4 Ext. Tooth Lockwasher	14045	4	4	4
31	14 x 1/2 Hex Hd. Self Tap. Screw	14019	4	4	4
32	Strut	12860	1	2	1
33	Strut W/Key	13841	1		1
34	Shock Spring	12857	2	2	2
35	Fork Bushing	12918	2	2	2
36	5/8 - 18 Conelok Nut (Thin)	14033	1	1	1
37	Steering Column Bolt	11154	1	1	1
38	3/8 - 16 Conelok Nut	14031	4	4	4
39	Yoke Plate Weld Assy (Unpainted)	13737	1		1
39A	Yoke Plate Weld Assy (Painted - Specify Color)	13840	1		1
40	Yoke Plate Weld Assy (Unpainted)	13838		1	
40A	Yoke Plate Weld Assy (Painted - Specify Color)	13839		1	
41	5/16 Split Lockwasher	14047	7	5	7
42	5/16 - 18 x 7/8 Hex Hc. Cap Screw	13999	2		2
43	Single Beam Headlight Assy	13830	1		1
44	8 - 18 x 1 Self Tap Phillips Fill. Hd. Screw (Type BT)	14018	2		2
45	Headlight Bezel	13795	1		1
46	Wiring Harness	13829	1		1
47	Sealed Beam Headlamp	13827	1		1
48	5/16 - 18 SQ Nut	14026	2		2
49	"On" - "Off" Switch	13828	1		1
50	Headlight Housing	13796	1		1
51	Headlight Ground Wire	13885	1		1
52	Brake Hand Lever, Complete	13812	2	1	2
53	Ferrule Lock Nut	13814	2	1	2
54	Brake Lever Cable Ferrule	13813	2	1	2
55	Pan Hd. Mach. Screw 6mm - 1mm Pitch x 18mm LG.	13959	2	1	2
55A	Hex Nut 6mm - 1mm Pitch	13960	2	1	2
55B	Ext. Tooth Lockwasher 6mm	13961	2	1	2
56	Brake Lever Clamp	13816	2	1	2
57	Fill. Hd. Mach. Screw 5mm Dia x 18mm LG.	13815	4	2	4
58	Brake Cable, Front	13863	1		1
59	36" Throttle Cable	10140	1	1	1
60	Throttle Twist Grip Assy W/Grip	11583	1	1	1
61	Rubber Grip 1" I.D.	10809	1	1	1
62	Barrel, Twist Grip	10511	1	1	1
63	Ferrule, Twist Grip	10514	1	1	1
64	10 - 32 x 1/2 Fill. Hd. Mach. Screw	14017	2	2	2
65	Cable Adaptor Ring	10512	1	1	1
66	Adaptor Ring	10513	1	1	1
67	Handlebar	13736	1	1	1
68	Brake Cable, Rear (W/Switch)	13864	1		1
68A	Brake Cable, Rear (W/O Switch)	13865		1	
69	Engine "Kill" Switch	13900	1		1
70	"Kill" Switch Lead	13901	1		1
71	Rubber Grip 7/8" I.D.	10769	1	1	1
72	Steering Column Bearing	10107	2	2	2
73	Tank Mtg. Rubber Strip, Front	12958	1	1	1

Ref. No.	Description	Part No.	Roadster	Goat	Scrambler
			No. Req.	No. Req.	No. Req.
74	10 - 32 x 5/8 Soc Hd. Cap Screw	14008	3	3	3
75	10 Split Lockwasher	14043	3	3	3
76	Tank Mtg. Rubber Strip, Rear	12957	1	1	1
77	Main Frame (Unpainted)	12851	1	1	1
77A	Main Frame (Painted - Specify Color)	12952	1	1	1
78	Rubber Well Nut	11825	3	3	3
79	Fuel Tank Assy, Chrome (Complete)	12880	1	1	1
80	Fuel Tank Body W/Mounts	13575	1	1	1
81	Cap	10829	1	1	1
82	Outlet Elbow	12151	1	1	1
83	Fuel Line 11" LG.	12698	1	1	1
84	Seat	12950	1	1	1
85	Nylon Cable Retainer	10934	7	3	7
86	1/4 - 20 x 5/8 Thumb Screw	11157	2	2	2
87	1/4 - 20 Hex Nut	14023	2		2
88	Tail Light, Complete	12955	1		1
89	Tail Light Lens	11643	1		1
90	Tail Light Bulb	12439	1		1
91	1/4 - 20 x 1/2 Hex Hd. Cap Screw	13992	1	1	1
92	1/4 - 20 Tinnerman Nut	10502	3	3	3
93	Rear Fender, Chrome	12930	1	1	1
94	Chain Tensioner	13788	2	2	2
95	72 T Sprocket	13833	1	1	
95A	60 T Sprocket	13832			1
96	Stop Light Switch Lead	13015	1		1
97	1/4" S.A.E. Flat Washer	14037	2	1	2
98	Clevis Pin	13821	2	1	2
99	6" Rear Wheel Assy, Less T & T	12845	1	1	1
100	6" Casting W/Bearing & Studs	13353	1	1	1
101	6" Wheel Casting	12835	1	1	1
102	Wheel Spacer	13789	1	1	1
103	Axle Bolt	13842	1	1	1
104	Rear Shock Absorber	12915	2	2	2
105	3/8 - 24 Conelok Nut	14030	4	4	4
106	5/16 U.S.S. Flat Washer	14040	4	4	4
107	3/8 - 24 x 1 1/2 Hex Hd. Cap Screw	14007	4	4	4
108	Swing Frame (Unpainted)	13785	1	1	1
108A	Swing Frame (Painted - Specify Color)	13845	1	1	1
109	Swing Arm Pivot Rod	11164	1	1	1
110	3/8 Split Lockwasher	14048	2	2	2
111	3/8 - 24 x 1 Hex Hd. Cap Screw	14005	2	2	2
112	5/16 - 18 Conelok Nut (Full)	14029	2	2	2
113	5/16 - 18 x 1 Hex Hd. Cap Screw	14000	2	2	2
114	Pedal Tube	12382	2	2	2
115	Rubber Pedal Cover	11185	2	2	2
116	Roll Pin	12322	2	2	2
117	Bearing	10058	2	2	2
118	12 T Sprocket	12315	1	1	1
119	Secondary Chain 35 106 pt	13014	1	1	
119A	Secondary Chain 35 100 pt	12998			1
120	Snap Ring	10136	1	1	2
121	Jack Shaft, 2 speed	13856	1	1	
121A	Jack Shaft	13872			1
122	13 T Clutch, Complete	13861	1	1	
123	Clutch Shoes (2)	12457	2	2	
124	Shoe Pivot Roll Pin	12461	2	2	
125	Springs (2)	12459	2	2	
126	Actuating Levers (2)	12458	2	2	
127	Actuating Lever Roll Pin	12460	2	2	
128	Drive Hub Only	13912	1	1	
129	Drive Hub W/Shoes, Levers & Springs	13913	1	1	
130	13 T Drum & Sprocket	13910	1	1	
131	Clutch Bearing	13911	1	1	
132	Fiber Washer	10138	1	1	
133	Fiber Washer	13862	2	2	
134	21 T Sprocket Assy	13860	1	1	
134A	21 T Sprocket Only	13859	1	1	
135	1" Sprocket Bearing	13734	1	1	
136	Inboard Primary Chain 35 50 pt	12993	1	1	
137	Outboard Primary Chain 35 54 pt	13013	1	1	
138	Master Link 35	10326	3	3	2
139	Primary Chain 35 50 pt	12993			1
140	17 T Sprocket	12910			1
146	5/16 - 18 Hex Nut	14024	5	5	5
147	5/16 - 18 x 5/8 Hex Hd. Cap Screw	13996	4	4	4
148	5/16 - 18 x 1 1/2 Hex Hd. Cap Screw	14002	1	1	5
149	Kickstand	12983	1	1	1
150	Throttle Arm Assy	13097	1	1	
151	Throttle Return Spring	13050	1	1	
152	6 - 32 x 5/16 Sl. Hex Hd. Mach. Screw	14015	1	1	
153	Cable Stop Clamp	10176			1
154	8 - 32 x 5/16 Sl. Hex Hd. Mach. Screw	14016			1
155	Throttle Return Spring	10683			1
156	5 H.P. Lauson Eng W&Alt	12978	1		
156A	5 H.P. Lauson Eng	13445		1	
156B	3.5 H.P. Lauson Eng W/Alt	12979			1
157	Chain Guard Adaptor	10446	1	1	1

Ref. No.	Description	Part No.	Roadster	Goat	Scrambler
			No. Req.	No. Req.	No. Req.
158	5/16 - 24 x 1/2 Hex Hd. Cap Screw	13995	2	2	2
159	Key	12495	1	1	1
160	Stud, Chain Guard Mtg	12895	1	1	
160A	Stud, Chain Guard Mtg.	12894			1
161	13 T "Dual" Clutch, Complete	13903	1	1	
162	Clutch Retaining Ring	13119	1	1	
163	Washer	13947	2	2	
164	Clutch Bearing	13909	1	1	
165	13 T "Dual" Drum & Sprocket	13904	1	1	
166	1/4 - 28 x 1/4 Socket Set Screw, Nylok	14021	2	2	
167	Shoes (2)	13949	2	2	
168	Drive Hub Only	13905	1	1	
168A	Drive Hub W/Shoes & Springs	13906	1	1	
169	Springs, Brown (2)	13948	2	2	
170	1/4 - 20 x 1/2 Pan Hd. Mach. Screw	14013	3	3	3
171	Chain Guard, Chrome	12904	1	1	1
172	12 T Clutch, Complete	13919			1
173	Clutch Retaining Ring	12456			1
174	Washer	13946			2
175	12 T Drum & Sprocket	13920			1
176	Clutch Bearing	13918			1
177	Shoes (2)	13907			2
178	1/4 - 28 x 1/4 Socket Set Screw, Nylok	14021			2
179	Drive Hub Only	13915			1
179A	Drive Hub W/Shoes & Springs	13916			1
180	Springs, Yellow (2)	13908			2
181	Caution Decal (Hands & Feet)	12534	1	1	1
182	Caution Decal (One Rider)	12533	1	1	1
183	Round "Rupp" Decal	13817	2	2	2
	Parts Not Shown				
184	"Roadster" Decal	13932	2		
185	"Goat" Decal	13933		2	
186	"Scrambler" Decal	13934			2
	Misc. & Optional Equip.				
	Clear Wind Shield	11593			
	Horn	13087			
	Basket Kit	13063			
	Mirror	13899			
	80 Tooth Sprocket	13834			
	Exhaust Pipe Kit (Road. & Goat Only)	13094			
	High Performance Eng Kit (Road & Goat Only)	13127			
	"Rally Red" Spray Bomb	13966			
	"Rally Green" Spray Bomb	13950			
	"Rally Blue" Spray Bomb	13951			
	"Rally Yellow" Spray Bomb	13952			
	"Rally Orange" Spray Bomb	13953			

RUPP MANUFACTURING, INC.

P. O. BOX 1095, MANSFIELD, OHIO 44903

MANUFACTURERS OF "QUALITY IN MOTION," SNOW VEHICLES / RACING KARTS / CYCLES

