

New SENSATION

"MIKE-BIKE"



GOES... 20-30 miles per hour

GETS... 50-60 miles per gallon

GIVES... more fun per mile

The New "HOT ONE" with More STYLE, SAFETY, PERFORMANCE and FUN Features

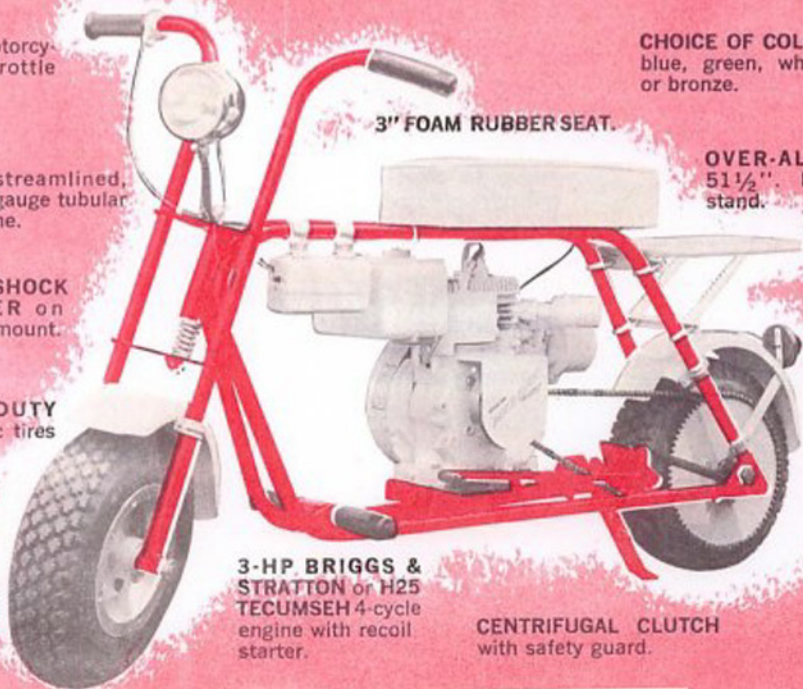
TWIST-GRIP, motorcycle-type hand throttle controls.

SLEEK, streamlined, double, 14-gauge tubular welded frame.

SPRING SHOCK ABSORBER on front wheel mount.

12½" HEAVY-DUTY studded pneumatic tires on 6" wheels.

78-LB. WEIGHT to hold the road, give better riding and safety.



3" FOAM RUBBER SEAT.

CHOICE OF COLORS... blue, green, white, red or bronze.

OVER-ALL LENGTH, 51½" Built-in kick-stand.

GOVERNOR CONTROLLED — not to exceed 3600 rpm.

OPTIONAL FEATURES ON DELUXE "MINI-BIKE" (pictured)

FRONT AND REAR MUDGUARD FENDERS.

CHROME-PLATED HEADLAMP ON STEERING FRAME, and REFLECTOR-TYPE RED TAIL-LIGHT, both battery operated.

BIG, STURDY REAR RACK for luggage, camping gear, books, packages, briefcase.

3-HP. BRIGGS & STRATTON or H25 TECUMSEH 4-cycle engine with recoil starter.

CENTRIFUGAL CLUTCH with safety guard.

J. I. EDWINS COMPANY, INC.

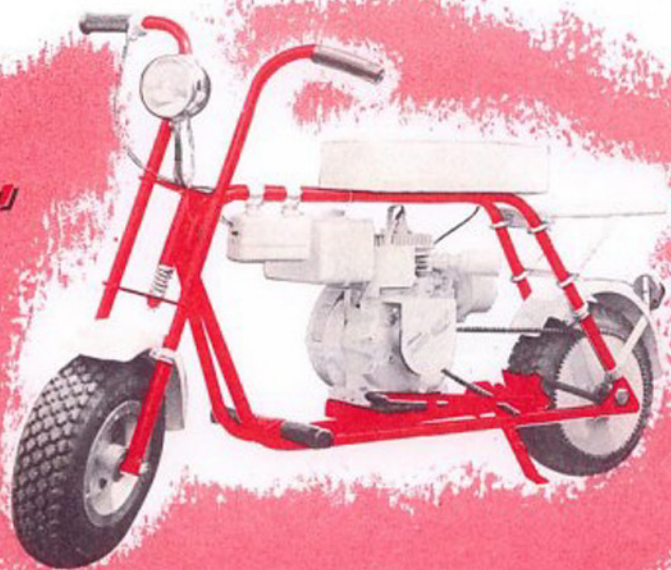
ISSAQUAH, WASHINGTON U.S.A.

Phone: EXbrook 2-5304 Area Code 206

SENSATION

"MIKE-BIKE"

The "Take-Along"
Motor Bike



TAKE IT CAMPING...



Take Mike-Bike in camper or station wagon. Use at camp site for errands...saves loss of parking space.

TAKE IT TO SCHOOL...



There's no school transportation problem with a Mike-Bike in the family. No parking problem either.

TAKE IT TRAILING...



The Mike-Bike takes country roads, lanes, even rough trails with ease and comfort. Great on hills, too!

Mike-Bike is the new "IN" wheels for the teen crowd, and the handiest, most versatile vehicle for adults, too. Far more vehicle than a bicycle! Close to a motorcycle in performance. Quality-built through and through with superior style, safety and operating features. Designed and manufactured by a company long noted for highest quality products.

OPTIONAL EQUIPMENT AVAILABLE FOR THE "MIKE-BIKE":

FENDERS, front and rear, for "splash" protection.

CHROME-PLATED HEADLAMP on steering frame (battery-operated).

RED TAIL-LIGHT, battery-operated, with reflector-type bulb, for added safety.

REAR RACK, big and sturdy, for carrying packages, books, luggage, camping gear, briefcases.

AVAILABLE 3 WAYS

MIKE-BIKE Complete

All assembled, ready-to-ride. Just put gas in the two-quart tank and you're ready to start! (Optional equipment not part of "complete" package. Must be ordered separately.)



MIKE-BIKE KIT Complete.

All standard parts included, unassembled—for the fun of putting it together.



MIKE-BIKE KIT without engine

Kit, unassembled, includes all standard parts except engine, clutch and chain drive.



Designed and manufactured by

J. I. EDWINS COMPANY, INC.

ISSAQUAH, WASHINGTON U.S.A.

Phone: EXbrook 2-5304 Area Code 206

SENSATION

"MIKE-BIKE"

THE HOT MOTOR BIKE...
WITH MORE STYLE,
SAFETY, PERFORMANCE
AND FUN FEATURES!

CHOICE OF COLORS

...blue, green, white,
red or black

**OVER-ALL
LENGTH 51 1/2"**

SLEEK, streamlined
double, 14-gauge
tubular welded
frame

**SPRING SHOCK
ABSORBER** on
front wheel
mount

TWIST-GRIP, motorcycle-
type hand throttle controls

3" FOAM RUBBER SEAT

**75-LB.
WEIGHT** to
hold the road,
give better
riding and
safety

**BUILT-IN
KICK-START**

**3-HP BRIGGS &
STRATTON** 4-cycle
engine with recoil
starter

12 1/2" HEAVY-DUTY
studded pneumatic tires
on 8" wheels

**CENTRIFUGAL
CLUTCH** with safety
guard

**GOVERNOR-
CONTROLLED** - top
speed not to exceed
3600 rpm

The new "in" wheels for the teen crowd...and the handiest, most versatile vehicle for adults, too! Far more than a bicycle...close to a motorcycle in performance. Quality-built through and through, with superior style, safety, and operating features. Goes 20-30 miles per hour...gets 50-60 miles per gallon...gives more fun per mile!

*(THE MODEL YOU RECEIVE MAY HAVE
IMPROVEMENTS NOT SHOWN HERE.)*

OPTIONAL FEATURES ON DELUXE "MIKE-BIKE" (pictured)...Front and rear mud-guard fenders...chrome-plated head-lamp on steering frame and red tail-light, both battery operated...big, sturdy rear rack for luggage, camping gear, books, packages, briefcase,

Continual Progress Is a Tradition with Sensation

Pioneer Manufacturers of GASOLINE and ELECTRIC ROTARY POWER MOWERS

No. 17-8810
Printed in U.S.A.

SENSATION

MANUFACTURING COMPANY

1747 BURBANK STREET
BURLINGTON, MASSACHUSETTS 01803

SENSATION

**GO-DEVIL
MINI-CYCLE**

The GOINGEST!



Responds like a big bike to its 4-hp Tecumseh easy-start engine with Comet torque converter. Top speed of 43-mph. Road-hugging safety. Nothing like it in its class.

DEALERS and MANUFACTURERS' REPRESENTATIVES, write

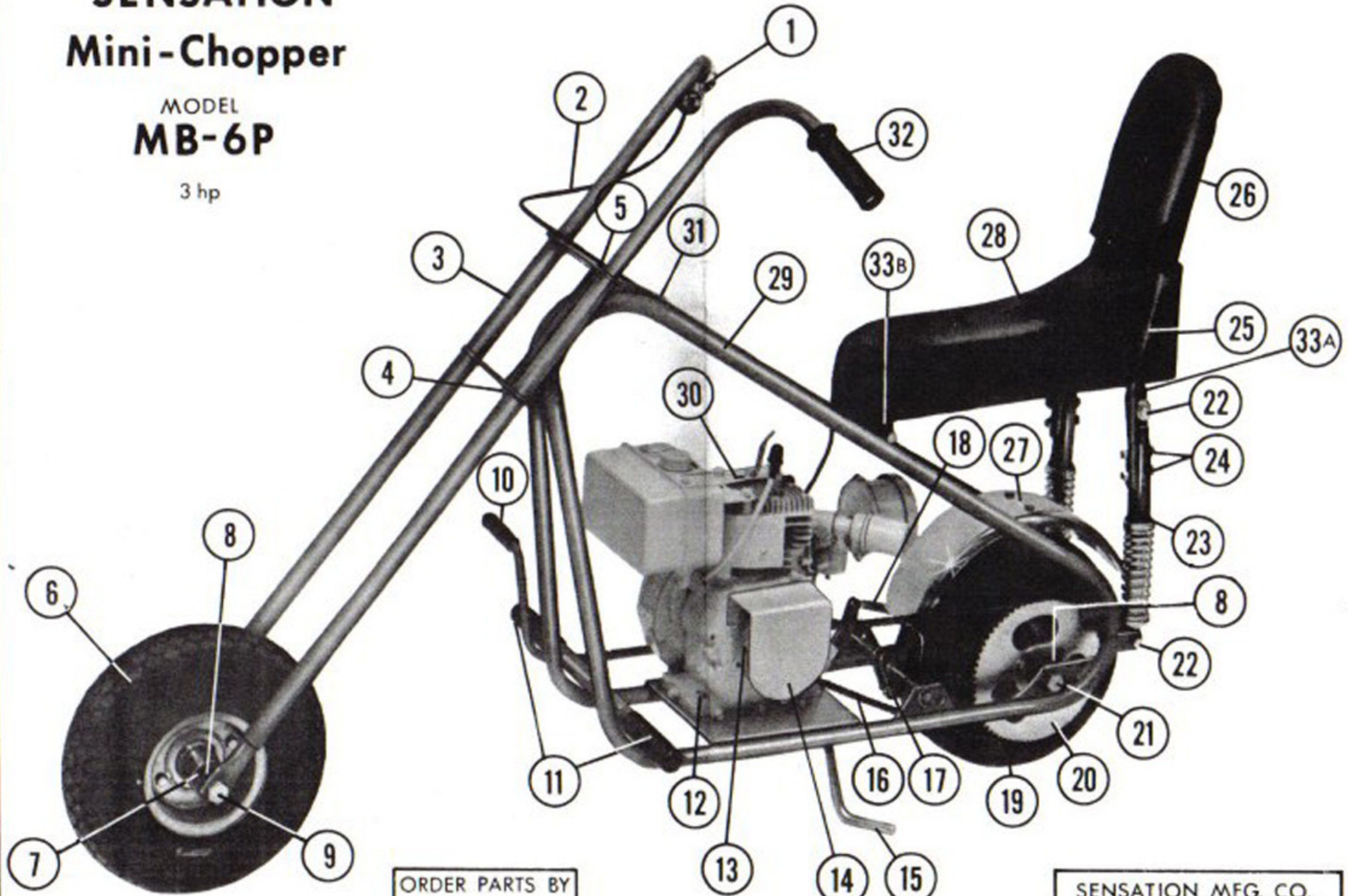
SENSATION MANUFACTURING COMPANY

7577 Burlington Street • Ralston, Nebraska 68127

SENSATION Mini-Chopper

MODEL
MB-6P

3 hp



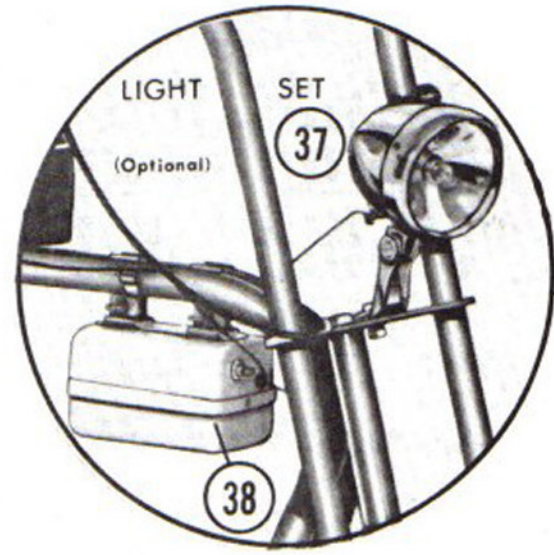
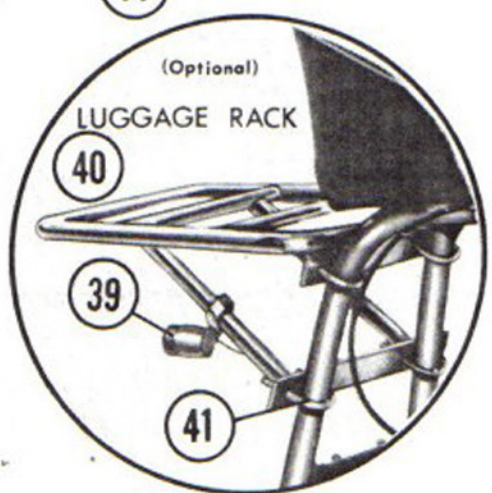
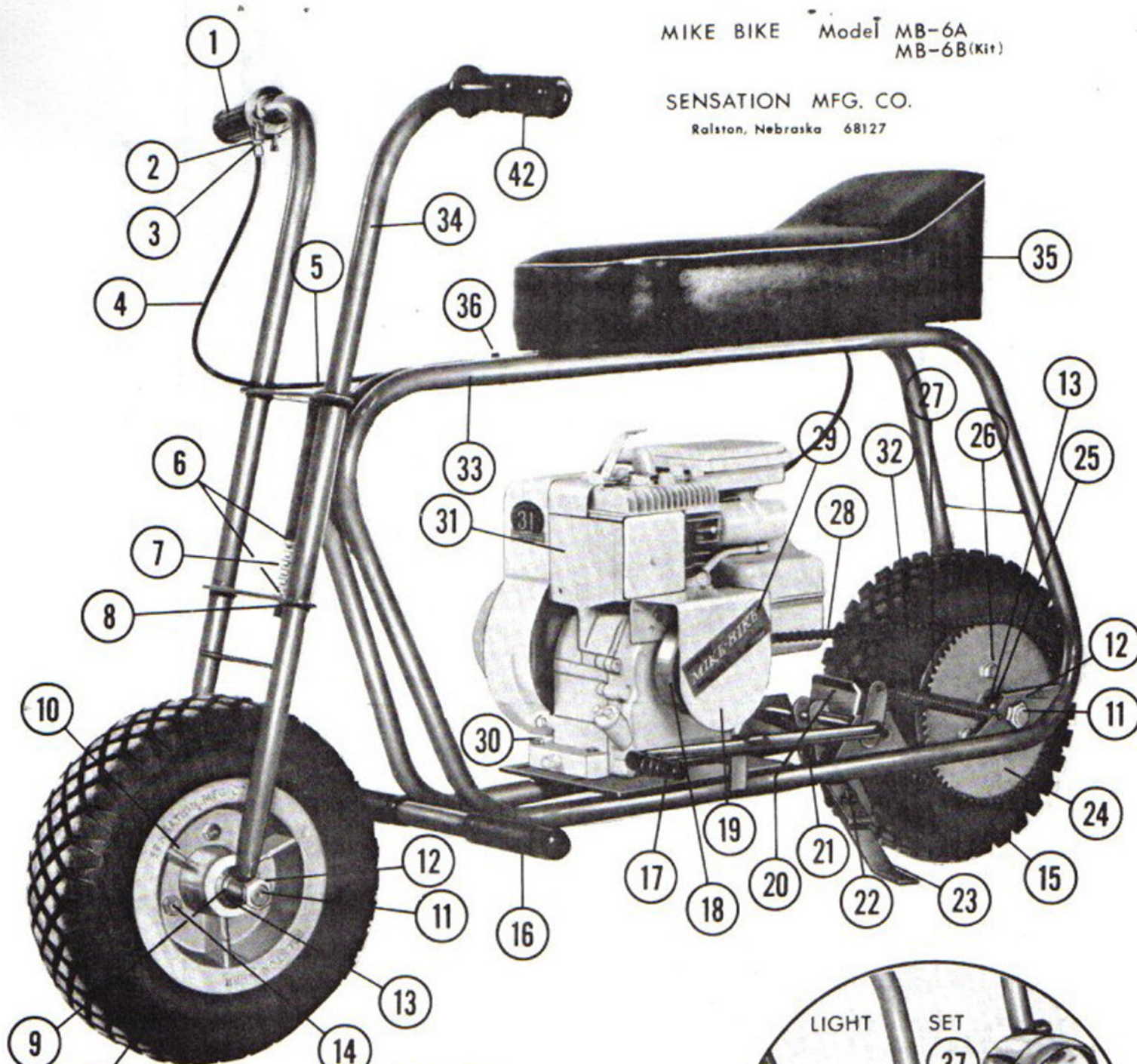
ORDER PARTS BY
PART NUMBER

SENSATION MFG. CO.
Ralston, Nebraska 68127

MIKE BIKE Model MB-6A
MB-6B(KIT)

SENSATION MFG. CO.

Ralston, Nebraska 68127

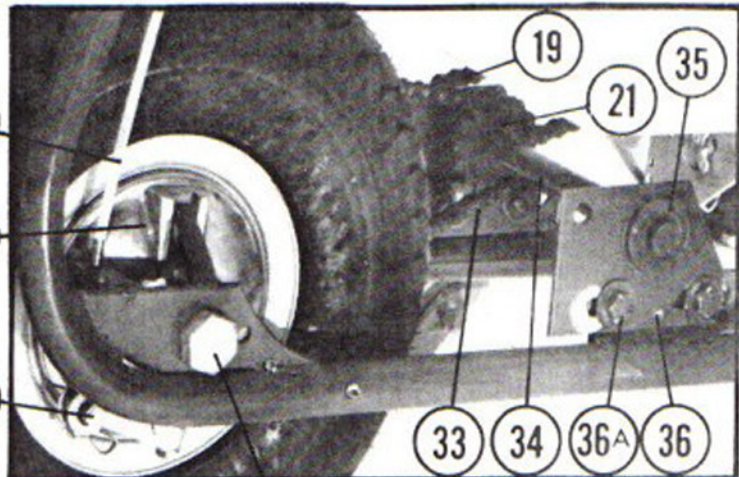


ORDER PARTS BY
PART NUMBERS ONLY

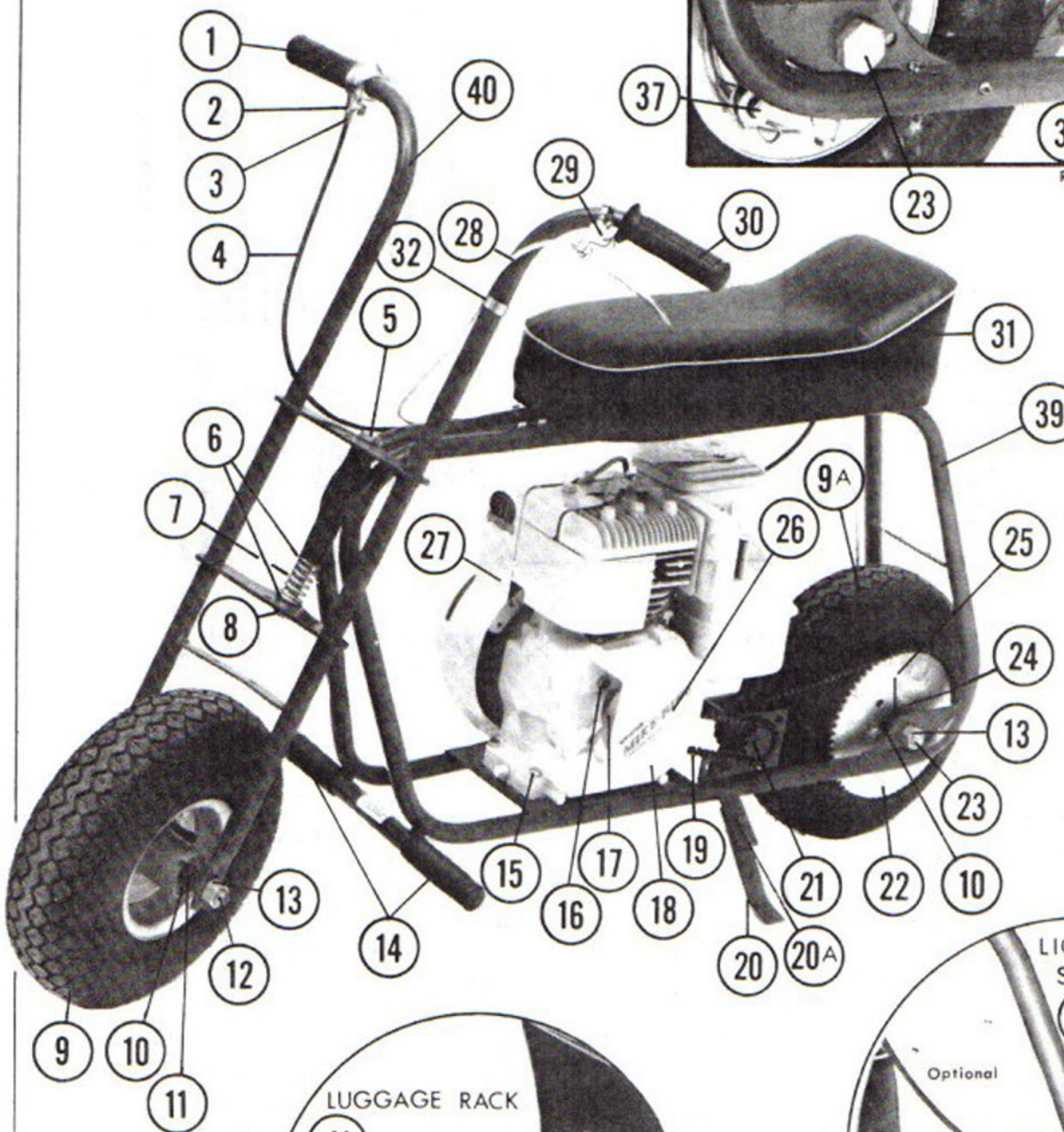
SENSATION

Mike Bike

MODEL
MB-6L

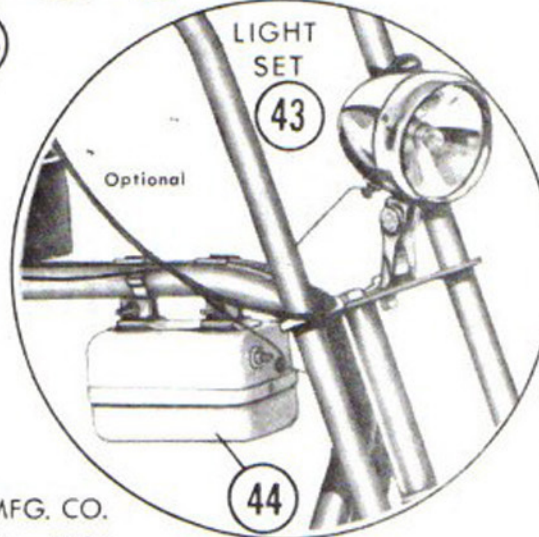
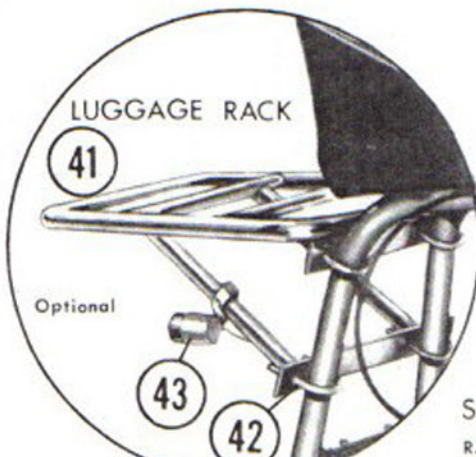


Right Side View



ENGINE PARTS

All replacement parts and service on Engine must be ordered from Briggs and Stratton authorized service center. Consult the Yellow Pages for the nearest Center.



Order Parts By
PART NUMBER
ONLY

SENSATION MFG. CO.
RALSTON, NEBRASKA 68127

IMPORTANT: Order by Part Number

Key Number	Part Number	Quantity Required	Part Name	List Price
1	TH-22	1	Throttle Control Complete	\$3.95
	TH-22A	1	Twist Grip (included with TH-22)	3.25
	TH-22D	1	Throttle Control Bushing Nut (included with TH-22)	.20
	TH-22E	1	Threaded Slotted Bushing (included with TH-22)	.60
2	TH-22C	1	Throttle Control Cable	1.50
3	FR-66A	1	Front Fork Weldment	20.95
4	NN-19	1	Spindle Nut, 1/2" Hex Lock Nut	.20
5	CC-133	1	Spindle Bolt, 1/2" x 7 1/2" Hex Head	.60
6	WA-70	1	Front Wheel Assy. Complete, including 3.50 x 5 tire & tube, and bearings	16.95
7	BG-12	4	Wheel Bearing, Front & Rear	1.20
8	SP-76	1	Front Wheel Spacer, left, 5/8" long	.20
	SP-77	1	Front Wheel Spacer, right, 1 7/16" long	.35
	SP-71	1	Rear Wheel Spacer, left, 1" long	.25
	SP-4	1	Rear Wheel Spacer, right, 2" long	.45
9	AX-91	1	Axle Bolt, 5/8" x 7 1/2" Hex Head, Front	1.25
	NN-22	2	Axle Nut, 5/8 NC Hex Head Lock Nut, Front & Rear	.25
10	HG-7	1	Brake Pedal Grip, 1/2 ID Black	.20
11	HG-4	2	Foot Rest Grip, 7/8" ID Black	.30
12	CC-32	4	Engine Mounting Bolt, 5/16" x 1 1/2" Hex Head	.10
	WP-4	4	Engine Mounting Lock Washer, 5/16" Star	.10
	NC-7	4	Engine Mounting Nut, 5/16" Hex	.10
13	PC-42	1	Clutch, 3/4"	14.95
	PC-35	3	Replacement Clutch Shoes (Set of 3)	5.00
	PC-45	3	Replacement Clutch Springs (Set of 3)	.75
	DS-34-10	1	Replacement Clutch Drum & Sprocket	8.00
14	GD-43	1	Clutch Guard, w/bolts	1.80
	CF-27	2	Clutch Guard bolts, 5/16 NF x 1/2 Hex	.10
15	KS-12501	1	Kick Stand Plated	2.15
	CC-29	2	Kick Stand Mounting Bolts, 5/16 NC x 3/4	.10
	WP-4	2	Kick Stand Mounting Lock Washers, 5/16 Star	.10
	NC-7	2	Kick Stand Mounting Nuts, 5/16 NC	.10
16	CH-26	1	Drive Chain, #35 x 46 1/2" long	5.50
	CH-17	1	Master Link #35 (included with CH-26)	.30
17	BK-4A	1	Brake Shoe Weld Assembly	.75
	CC-8	1	Brake Shoe Bolt 1/2 x 1 1/2 Hex Head	.10
	NN-2	1	Brake Shoe Nut 1/2 NC Hex Nut	.10
18	SG-21	1	Brake Return Spring	.40
19	WA-70C	1	Rear Wheel Assy. including 3.50 x 5 tire, tube BG-12 Bearings and SR-66 Sprocket	24.75
20	SR-66	1	Sprocket, Rear Wheel, 66 Tooth	4.85
	CC-29	3	Sprocket Mounting Bolt, 5/16 NC x 3/4	.10
	WL-4	3	Sprocket Lock Washer, 5/16" Split	.10
21	AX-92	1	Rear Axle, 5/8 x 8 1/2	1.25
22	CC-57	4	Shock Mounting Bolt 3/8 NC x 1 1/2	.10
	WP-5	4	Shock Mounting Washer 3/8 flat	.10
	WL-9	4	Shock Mounting Lock Washer 3/8 split	.10
	NC-8	4	Shock Mounting Nut, 3/8 NC Hex	.10
23	SG-25	2	Shock Absorber	4.40
24	CC-32	4	Sissy Bar Mounting Bolts, 5/16 NC x 1 1/2	.10
	WL-4	4	Lock Washer, Sissy Bar Mounting, 5/16	.10
	NC-7	4	Sissy Bar Mounting Nuts, 5/16 NC Hex	.10

Key Number	Part Number	Quantity Required	Part Name	List Price
25	FR-64	1	Sissy Bar	\$2.10
26	PD-18	1	Sissy Bar Pad, Vinyl	3.50
27	FE-5CP	1	Fender, Chrome	8.75
	CC-2	2	Fender Mounting Bolt 1/2 NC x 1/2	.10
	WP-3	2	Fender Mounting Washer	.10
	NC-6	2	Fender Mounting Nut, 1/2 NC Hex	.10
28	SI-8	1	Seat	10.50
	CC-4	4	Seat Mounting Bolts, 1/2 NC x 3/4	.10
29	FR-65A	1	Frame Weldment, (includes BK-10A Brake Rod)	53.00
30	H-30	1	Engine, Tecumseh, 3 HP	56.55
31	TH-7	2	Throttle Control Cable Clip	.10
32	HG-10	1	Left Handle Grip	.60
33A	BR-142	1	Seat Bracket Rear	.20
33B	BR-141	1	Seat Bracket Front	.25
	CC-40	1	Front Mounting Bolt (Seat) 5/16" x 5"	.20
	NW-25	1	Front Mounting Acorn Nut (Seat) 5/16 NC	.10

Key Numbers are for locating parts only -- Order by Part Numbers only

ALL ENGINE PARTS AND SERVICE MUST BE OBTAINED FROM ENGINE MANUFACTURER'S SERVICE CENTER.

CHECK YELLOW PAGES FOR CENTER NEAREST YOU.

Prices shown are F.O.B. factory and are subject to change without notice.

SENSATION MFG. CO.
Ralston, Nebraska
68127

3 hp MINI CHOPPER MB-6P