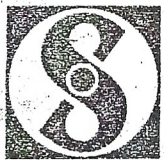


K 0000-000-004



SACHS

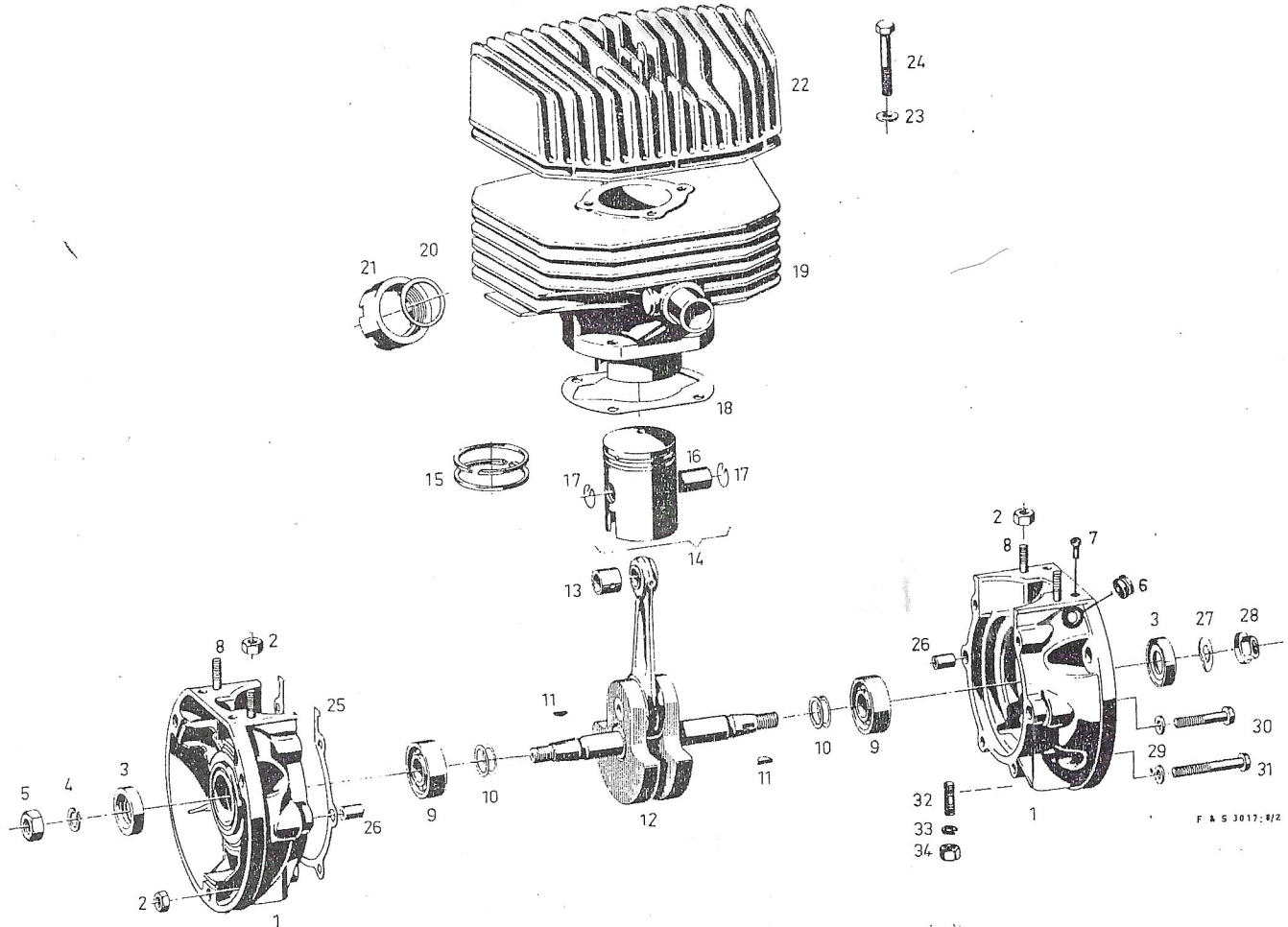
List of Spares No. 3017.6 E
SACHS 80 B

Edition December 1971

FICHTEL & SACHS AG · D-8720 SCHWEINFURT

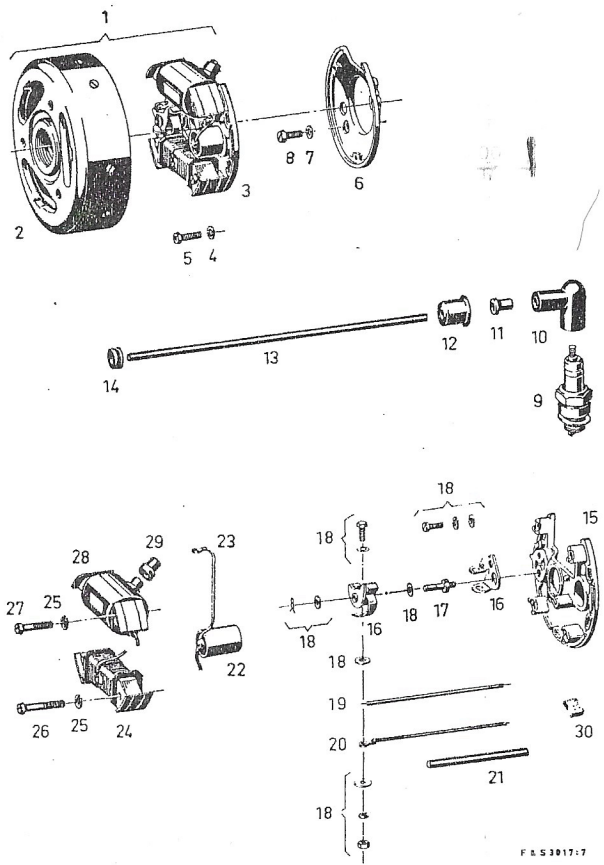
CONTENTS

	Page
Plate 1 Crankcase, Crankshaft, Cylinder	2
Plate 2 Magneto-Generator	4
Plate 3 Carburetor, Intake silencer, Muffler	6
Plate 4 Recoil starter, Tools	8
Plate 5 SACHS Lubricants, Set of gaskets for engine, without illustration	10



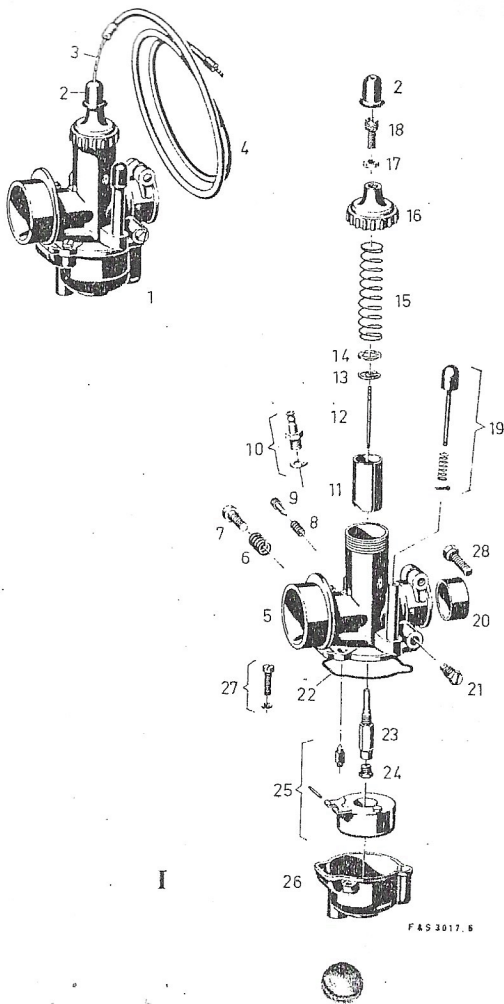
Illustr. No.	Part-No.	Denomination	pieces	Illustr. No.	Part-No.	Denomination	pieces	
1	2887 007 024	Crankcase ass'y. with ill. 8, 25, 26	1	25	2850 006 000	Gasket	1	
2	0316 057 002	Hexagon nut M 6	10	26	2647 001 000	Dowel sleeve	2	
3	0930 026 100	Oil seal 16×30×7	2	27	0245 022 000	Spring washer for M 10	1	
4	0245 023 004	Spring washer for M 10	1	28	0942 072 100	Collar nur M 10×1	1	
5	0242 009 000	Hexagon nut M 10	1	29	0244 100 003	Shim 6.2×10×1	6	
6	0960 136 000	Rubber grommet for ignition cable	1	30	0241 019 101	Fillister head screw M 6×28	2	
7	2860 009 000	Plug	1	31	2840 005 101	Fillister head screw M 6×50	4	
8	0240 058 101	Stud M 6×20	4	32	2840 014 001	Stud M 8×15	4	
9	0932 035 006	Grooved ball bearing 6203 C4	2	33	0245 023 003	Spring washer for M 8	4	
10	0244 058 000	Shim 17.5×24×0.1	x	34	0242 020 000	Hexagon nut M 8	4	
	0244 058 001	Shim 17.5×24×0.15						
	0244 058 002	Shim 17.5×24×0.3						
	0244 058 003	Shim 17.5×24×0.5						
	0244 058 004	Shim 17.5×24×0.8						
11	0246 005 000	Woodruff key 3×3.7	2					
12	0288 109 000	Crankshaft	1					
13	0232 038 213	Bush for connecting rod	1					
14	0286 372 005	Piston ass'y, ∅ 46.0	1					
	0286 372 006	Piston ass'y, ∅ 46.5						
	0286 372 007	Piston ass'y, ∅ 47.0						
	0286 372 008	Piston ass'y, ∅ 47.5						
15	0215 101 000	Piston ring, ∅ 46.0	2					
	0215 101 001	Piston ring, ∅ 46.5	2					
	0215 101 002	Piston ring, ∅ 47.0	2					
	0215 101 003	Piston ring, ∅ 47.5	2					
16	0216 101 100	Gudgeon pin	1					
17	0245 108 000	Circlip	2					
18	2850 003 000	Gasket	1					
19	0213 138 010	Cylinder	1					
20	0250 116 000	Sealing ring	1					
21	0242 104 000	Cap nut M 40×1.5	1					
22	0213 139 000	Cylinder head	1					
23	0244 021 000	Shim 6.2×14×1.5	4					
24	0240 063 201	Hexagon head screw M 6×40	4					

D.S. 10

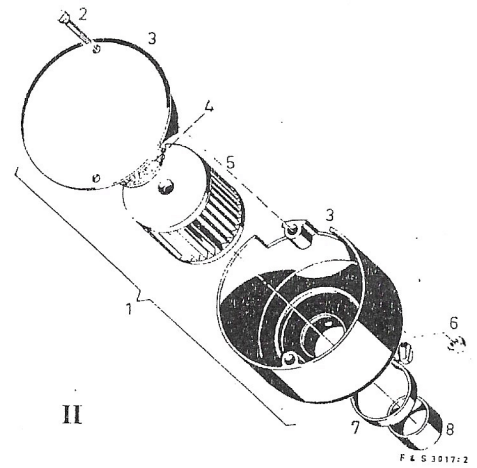


Illustr. No.	Part-No.	Denomination	pieces	Illustr. No.	Part-No.	Denomination	pieces
1	0984 098 321	Magneto-Generator 6 volts, 17 watts, BOSCH: 0212 112 063	1				
2	0983 108 000	Flywheel	1				
3	0986 317 000	Armature plate ass'y	1				
4	0244 108 000	Shim 4.1×9×1.2	3				
5	0240 106 100	Phillips type screw M 4×14	3				
6	2811 037 000	Intermediate flange	1				
7	0244 054 002	Shim 5.3×10×1.0	2				
8	0941 078 000	Fillister head screw M 5×12	2				
9	0298 087 009	Spark plug W 225 T 1	1				
10	1465 011 001	Spark plug connector, not screened	1				
11	0960 116 000	Bush for ill. 10	1				
12	0265 109 100	Protective cap	1				
13	0965 133 001	Ignition cable	1				
14	0960 136 000	Rubber grommet for ignition cable	1				
15	0265 140 005	Armature plate	1				
16	0983 106 000	Set of contact breaker	1				
17	0240 066 009	Pivot pin	1				
18	0283 107 000	Set of spacers for contact breaker	1				
19	0299 059 009	Lighting cable } indicate	1				
20	1483 009 000	Short-circuit cable } length	1				
21	0960 148 001	Insulating hose for. ill. 19, 20	1				
22	0265 052 003	Condenser	1				
23	0265 077 001	Connecting cable, indicate length	1				
24	0265 113 003	Generating armature	1				
25	0245 023 000	Spring washer for M 4	4				
26	0241 032 000	Fillister head screw M 4×23	2				
27	0240 105 000	Fillister head screw M 4×21	2				
28	0265 142 000	Ignition armature	1				
29	2865 003 000	Protective cap	1				
30	2865 008 000	Lubricating pad	1				

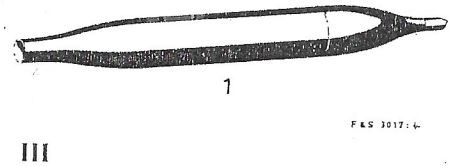
Carburetor



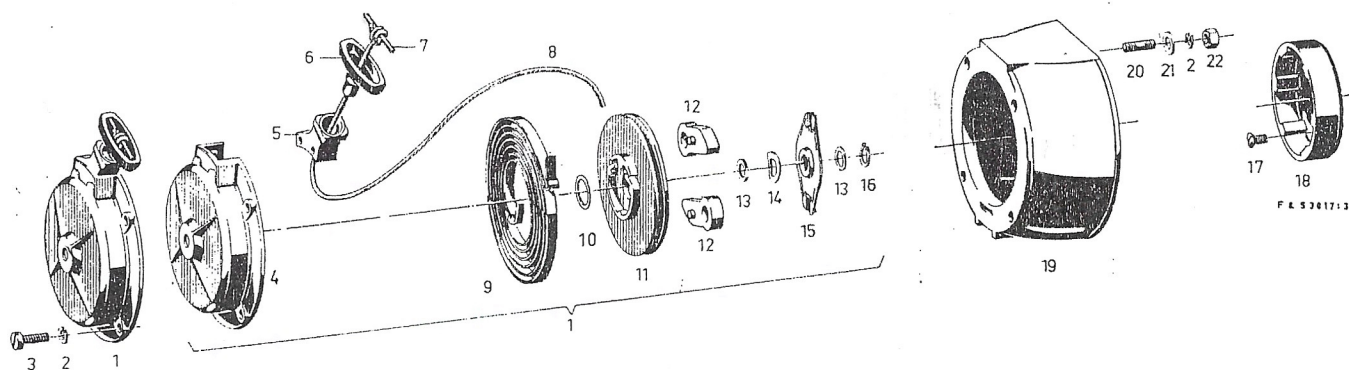
Intake silencer



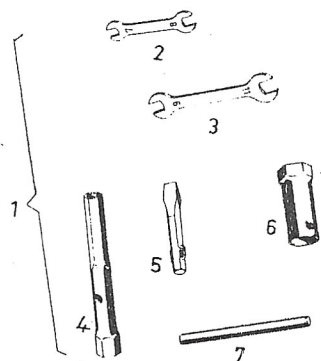
Muffler



Illustr. No.	Part-No.	Denomination	pieces	Illustr. No.	Part-No.	Denomination	pieces
I		Carburetor		II		Intake silencer	
1	0281 119 001	Carburetor ass'y (1/17/132)	1	1	0282 107 101	Intake silencer ass'y (ill. 2...6) (when fitting it, intake hole must point downwards)	1
2	0260 024 001	Protective cap	1	2	2840 025 001	Fillister head screw M 5x55	2
3	0291 004 000	Cable with solder nipple	1	3	0282 107 100	Intake silencer	1
4	0299 042 010	Cable casing, silver-colored	1	4	0263 023 000	Support for filter	1
5	0261 140 000	Carburetor housing	1	5	0225 006 000	Micronic filter	1
6	0939 106 000	Spring for adjusting screw	1	6	0242 024 102	Hexagon nut M 5	2
7	0940 117 000	Adjusting screw for throttle valve	1	7	0986 447 000	Clamp	1
8	0939 058 005	Spring for air pilot screw	1	8	0247 138 000	Bush 30x32x13	1
9	0240 173 000	Air pilot screw	1				
10	0986 432 000	Cable grommet ass'y with sealing ring	1	III		Muffler	
11	0261 136 000	Throttle valve 21	1	1	0273 100 032	Muffler, chromium plated ø 60x568, connection ø 28	1
12	0961 119 000	Jet needle NP II	1				
13	0944 113 000	Retaining plate for throttle valve	1				
14	0244 152 000	Washer for valve spring	1				
15	0939 108 000	Valve spring	1				
16	0961 111 000	Screw cap	1				
17	0961 018 001	Hexagon nut M 6	1				
18	0961 081 000	Adjusting screw M 6	1				
19	0281 122 000	Primer button ass'y with spring and split pin	1				
20	0247 139 000	Insulating bush for carburetor housing	1				
21	0961 108 000	Idle jet, size 45	1				
22	0950 116 000	Gasket for float chamber	1				
23	0261 137 000	Needle jet, size 2.73	1				
24	0961 106 000	Main jet, size 80	1				
25	0281 121 000	Float ass'y with pin for float and float needle	1				
26	0261 138 000	Float chamber	1				
27	0962 023 000	Screw for float chamber	2				
28	0961 016 000	Screw for carburetor housing	1				



Tools

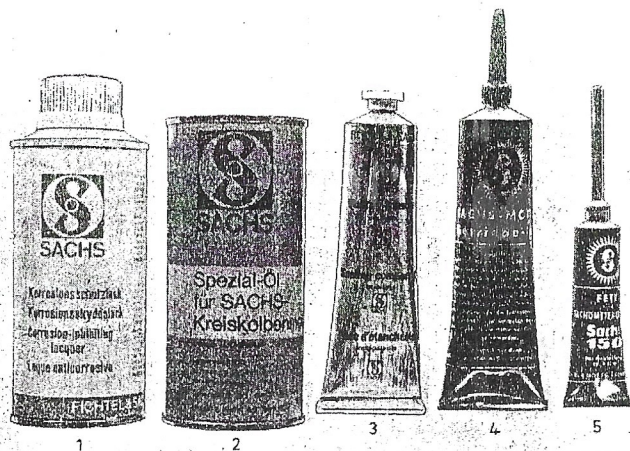
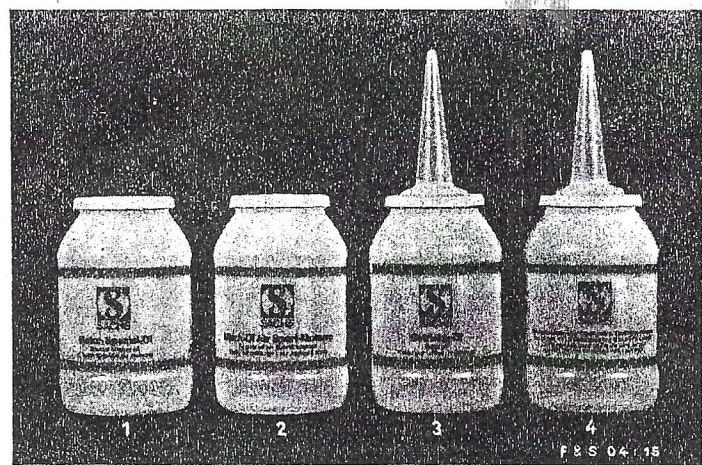


FAS 2017.5

Illustr. No.	Part-No.	Denomination	pieces	Illustr. No.	Part-No.	Denomination	pieces	
I		Recoil starter		II		Tools		
1	2870 065 112	Recoil starter ass'y, anti-clockwise direction	1	1	0276 152 017	Set of tools (illustr. 2...7)	1	
2	0245 023 002	Spring washer for M 6	7	2	0977 016 200	Double-head wrench 7 mm and 8 mm	1	
3	0240 059 101	Fillister head screw M 6×18	4	3	0276 111 000	Double-head wrench 9 mm and 11 mm	1	
4	2811 030 200	Starter housing	1	4	0976 005 100	Socket wrench 10 mm and 14 mm	1	
5	2852 021 300	Cable guide	1	5	0676 009 100	Screwdriver	1	
6	2852 020 000	Starter handle	1	6	2876 014 000	Socket wrench 21	1	
7	0949 086 000	Retaining pin	1	7	2876 012 000	Pin ∅ 8	1	
8	2863 004 101	Cable, length 1200 mm	1					
9	2839 009 000	Spiral spring	1					
10	0944 120 001	Shim 16.2×22×0.5	x					
	0944 120 002	Shim 16.2×22×1.0						
11	2852 028 000	Cable pulley	1					
12	1452 018 000	Starter pawl	2					
13	0244 044 000	Shim 10.2×15×1.0	x					
	0244 044 001	Shim 10.2×15×0.8						
	0244 044 002	Shim 10.2×15×0.3						
	0244 044 003	Shim 10.2×15×0.15						
14	2845 003 000	Spring washer for ∅ 10.5 (wavy)	1					
15	2852 030 100	Brake disk	1					
16	0245 019 000	Snap ring	1					
17	2840 046 001	Countersunk screw M 6×8	3					
18	2852 029 001	Driving drum	1					
19	2887 008 204	Intermediate housing ass'y (ill. No. 20)	1					
20	0240 058 101	Stud M 6×20	3					
21	0244 021 000	Shim 6.2×14×1.5	3					
22	0316 057 002	Hexagon nut M 6	3					
	2899 010 000	Sticker } without illustration	1					
	0999 007 301	Sticker } with operating instructions without illustration	1					

Plate 5

SACHS lubricants



I

II

Illustr. No.	Part-No.	Denomination		Contents cc.	Colour ring
I					
SACHS Lubricants					
1	0263 005 100	SACHS special engine oil self-mixing	can	250	blue
2	0263 013 000	SACHS mixing oil for sports engines	can	250	red
3	0263 015 005	SACHS gear oil (can with spout)	can	250	brown
4	0263 014 002	SACHS special gear oil for Saxonette, Saxonette-Automatic and SACHS 502/1 (can with spout)	can	250	green
II					
SACHS Lubricants, sealing compound, anti-corrosion lacquer					
1	0269 001 100	Anti-corrosion lacquer, air-drying	spray	150	
2	2763 005 100	SACHS special oil for rotary piston engines	can	250	yellow
3	0999 107 000	SACHS sealing compound	tube	60 g	
4	0299 079 000	SACHS gear grease	tube	64 g	
5	0699 002 000	SACHS speedometer grease	tube	15 g	
	2886 089 005	Set of gaskets dor engine without illustration No. 0250 116 000 sealing ring for carburetor connection is not included in this set, it must be ordered separately)			