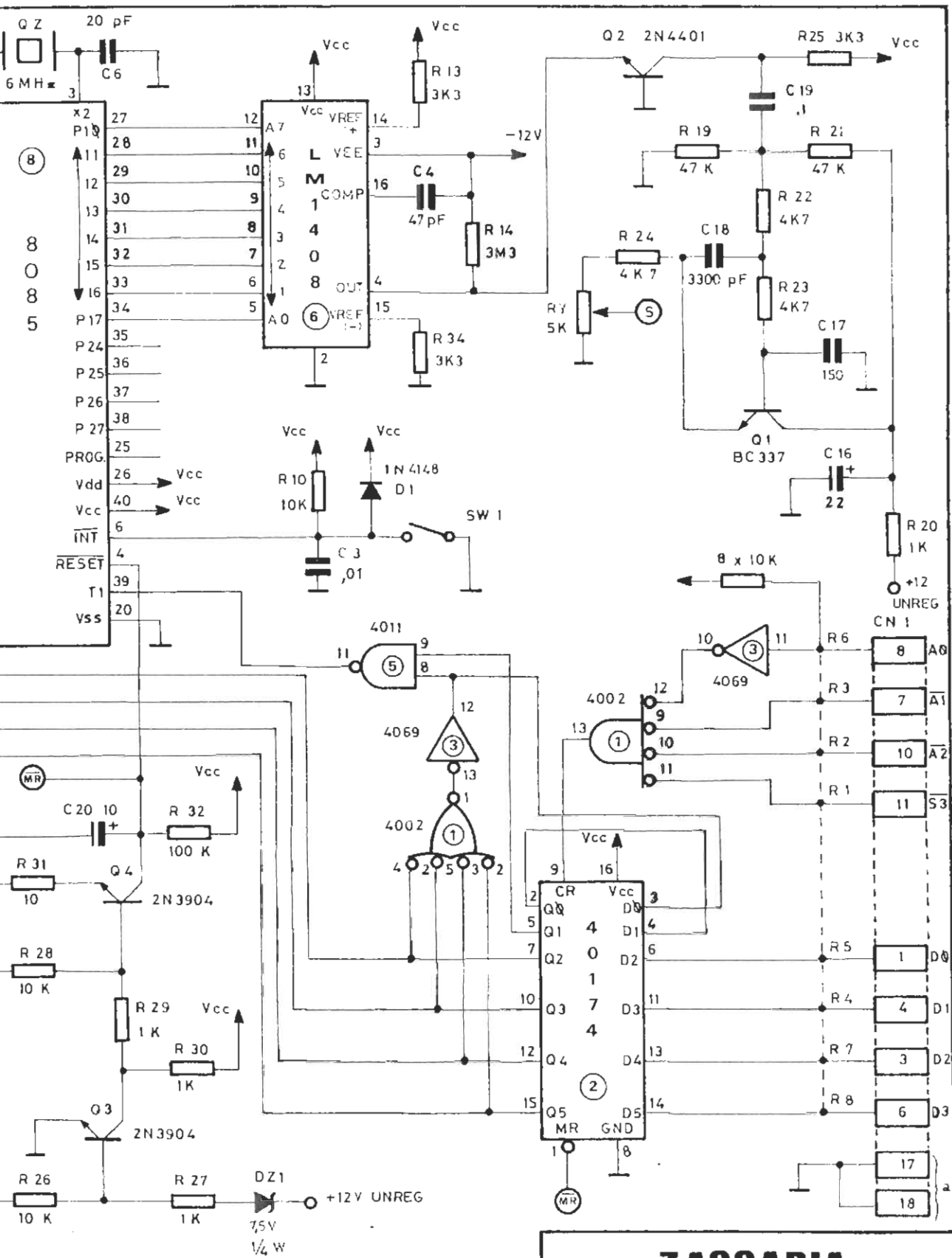


di Zacc
COSTRUZIONI
Via Armaroli, 15 40012 CALE
Telefono (051) 72 23 81-82 co
Telex 213683 ZACC

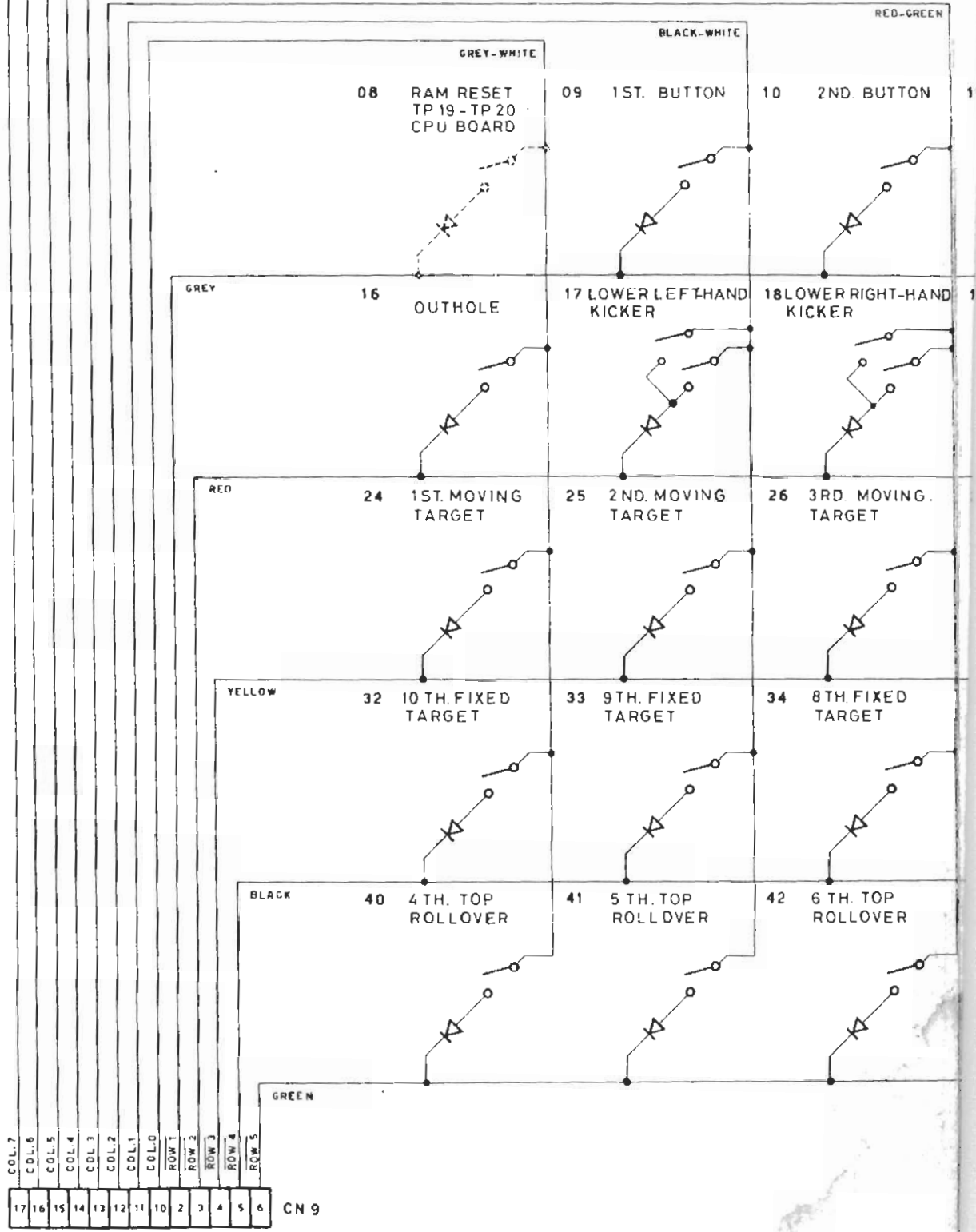
Electrical Diagrams for
EARTH WIND FIRE

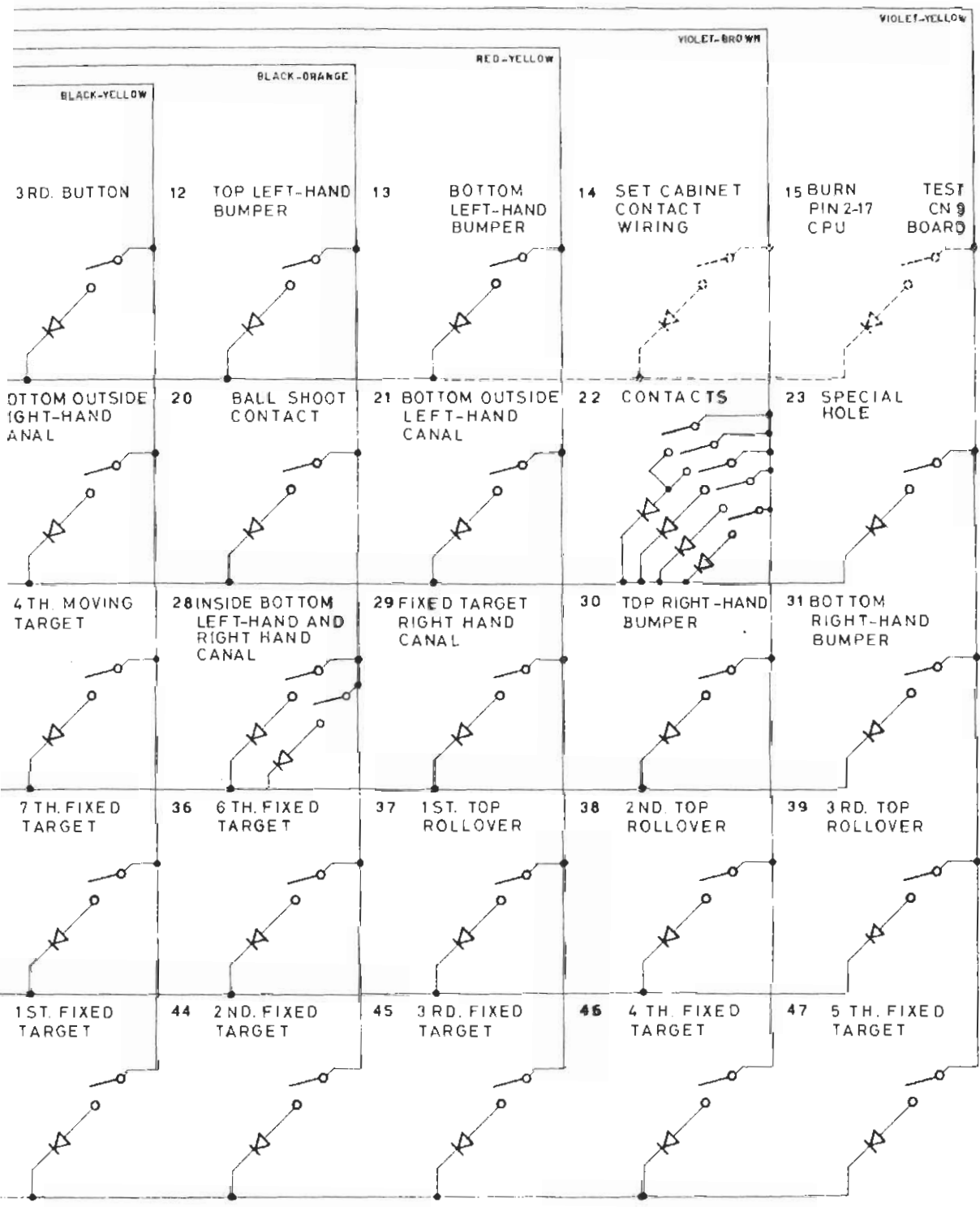




ZACCARIA

PART NAME		PART NO.	
SCHEMATIC OF SOUND BOARD		1B1346	
DWN.	DATE	REV.	DATE REV.
	8/9/80		
NOTES: UNLESS OTHERWISE SPECIFIED			
1) ALL RESISTORS VALUES IN Ω $\frac{1}{4}$ Watt			
2) ALL CAPACITORS VALUES IN μ F			



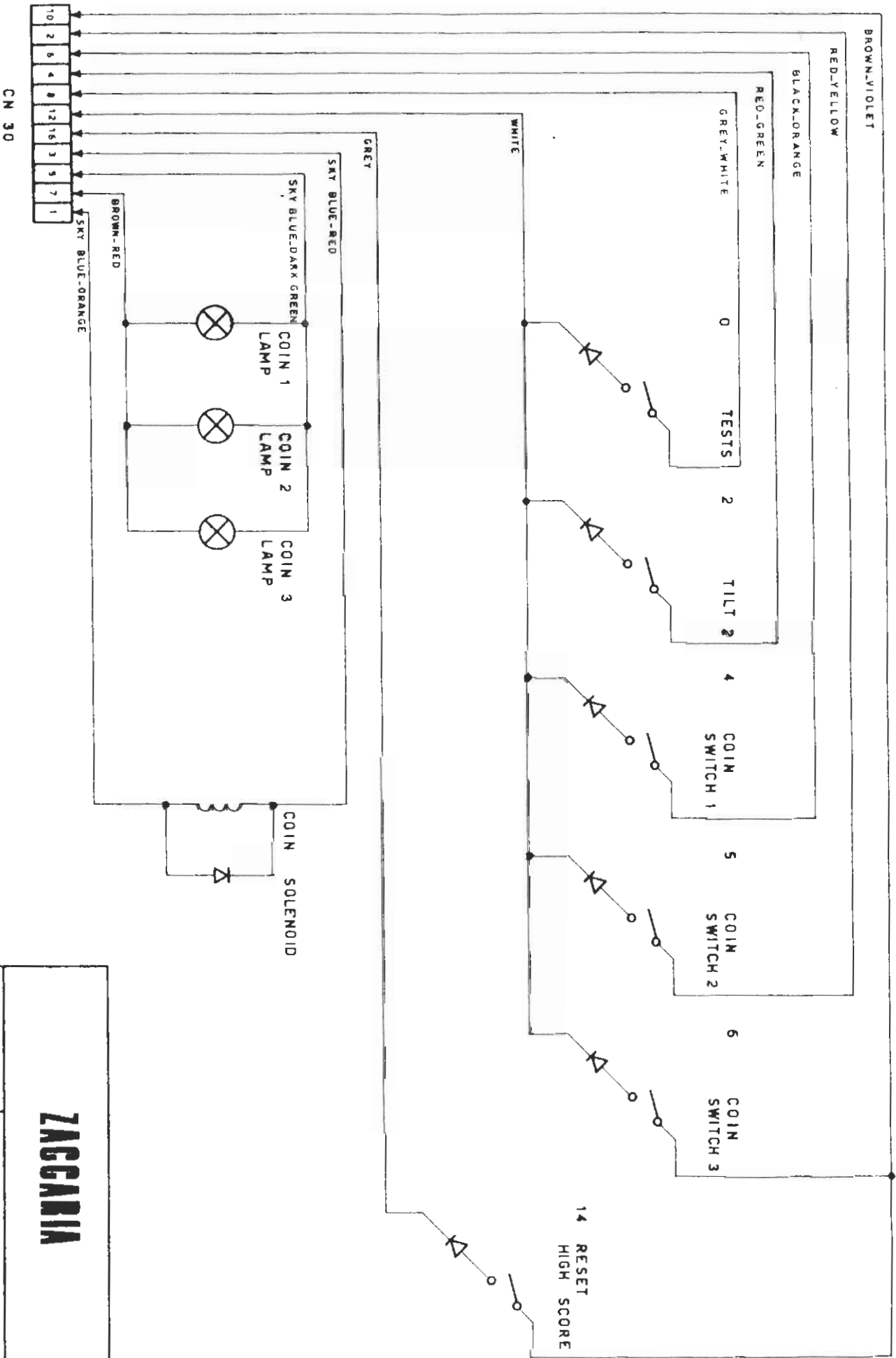


ALL DIODES ARE
1N4148 OR FDN900

ZACCARIA

EARTH
WIND
FIRE

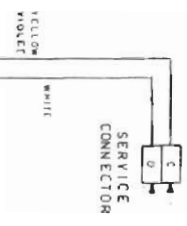
DIAGRAM for
PLAYFIELD CONTACTS
WIRING



ZACCARIA

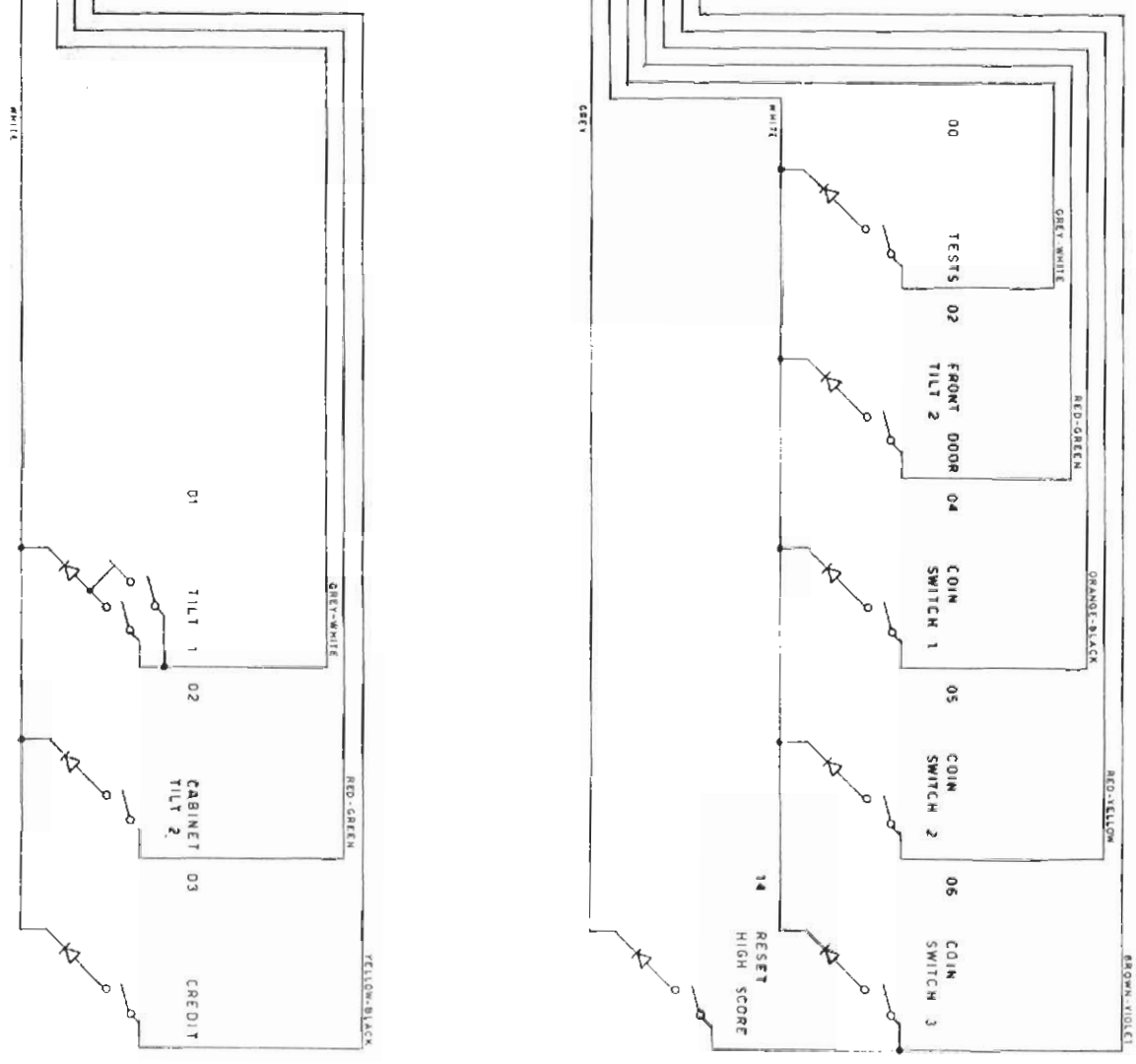
ELECTRICAL DIAGRAM for
FRONT DOOR WIRING

CN 8
 COL 7 18
 COL 6 17
 COL 5 16
 COL 4 15
 COL 3 14
 COL 2 13
 COL 1 12
 COL 0 11
 ROW 0 10
 ROW 1 9



07 PRINTER CONTACT

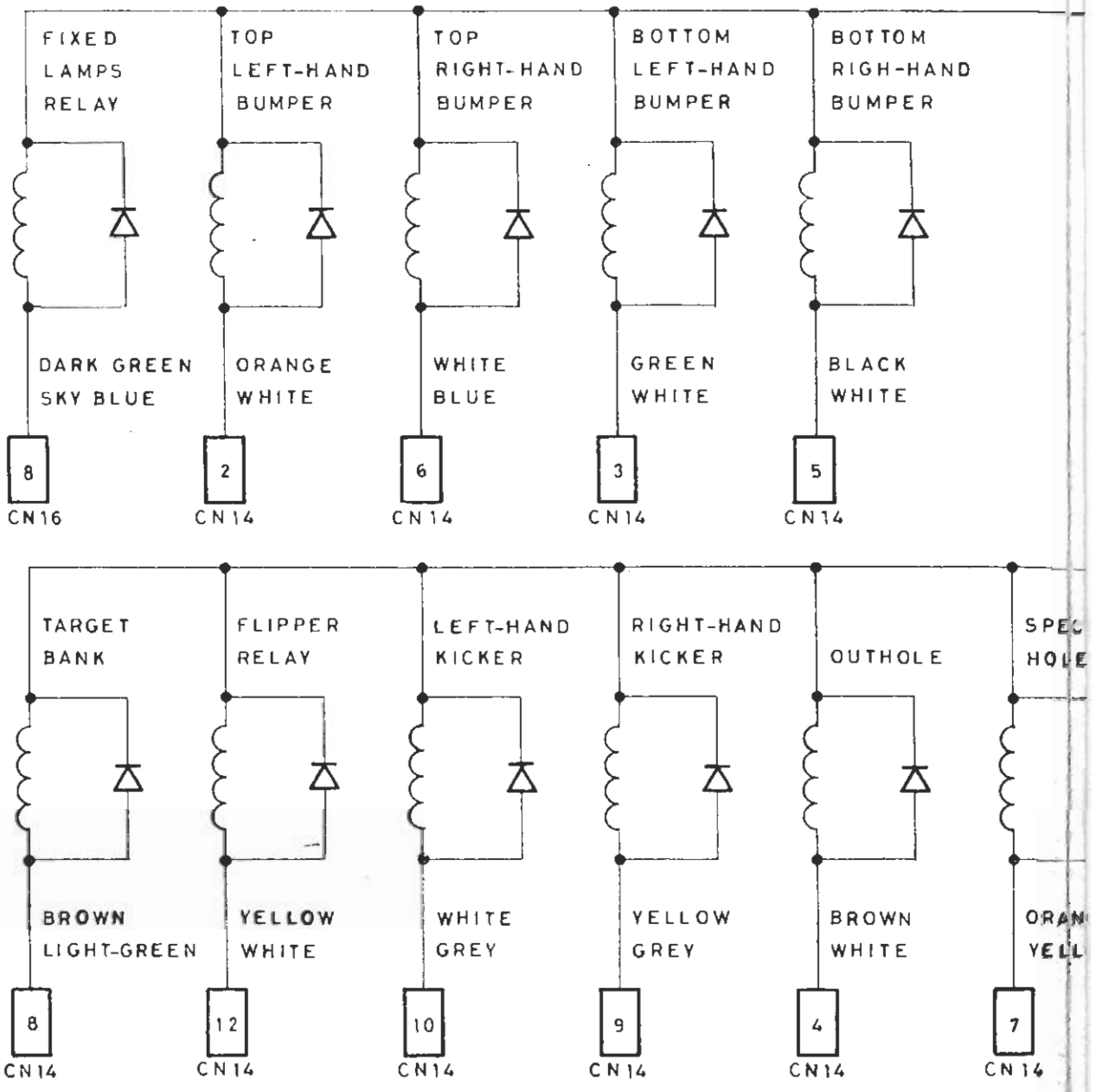
CN 30
 1C
 2C
 3C
 4C
 5C
 6C
 7C
 8C
 9C
 10C
 11C
 12C
 13C
 14C
 15C



ZACCARIA

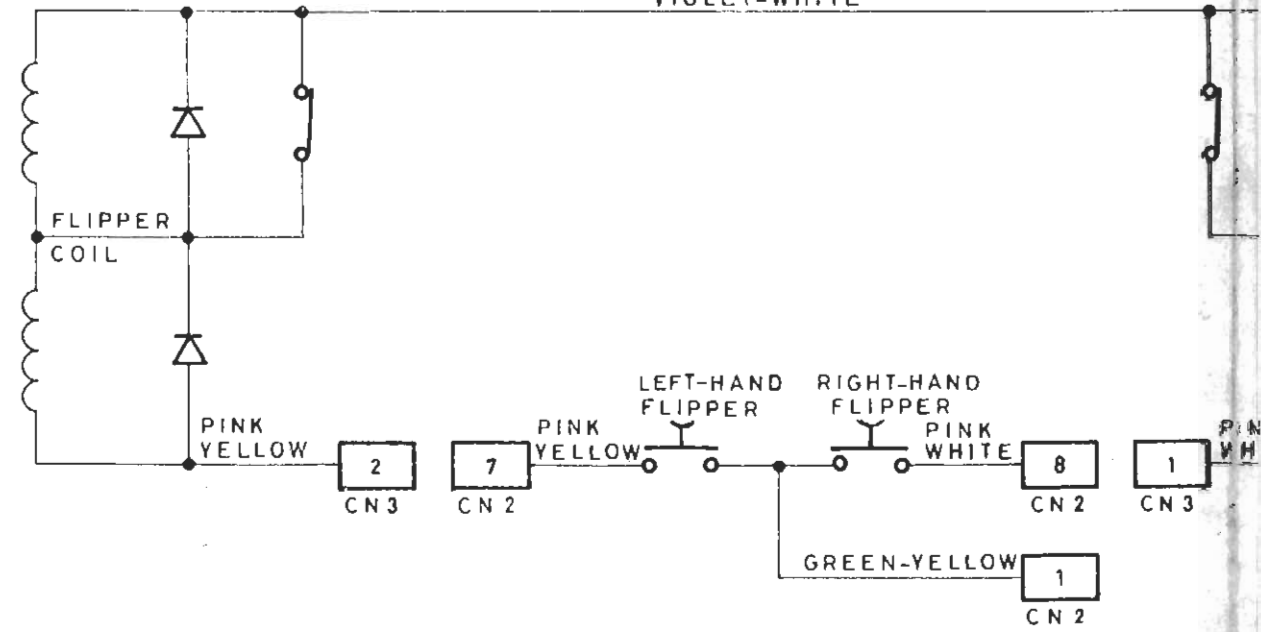
SPACE
 SHUTTLE
 ELECTRICAL DIAGRAM FOR
 CABINET CONTACTS
 WIRING

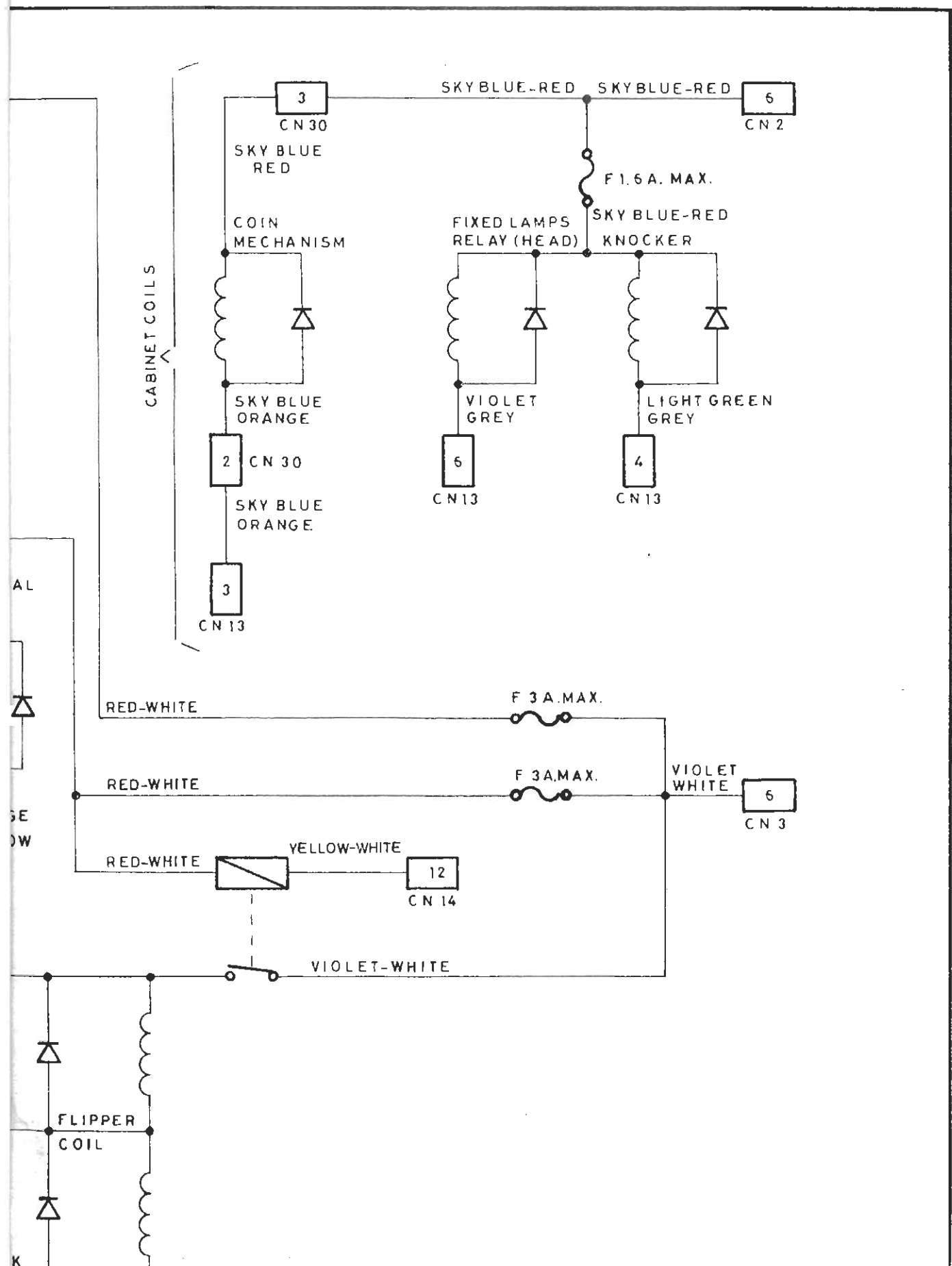
PLAYFIELD COILS



VIOLET-WHITE

FLIPPERS

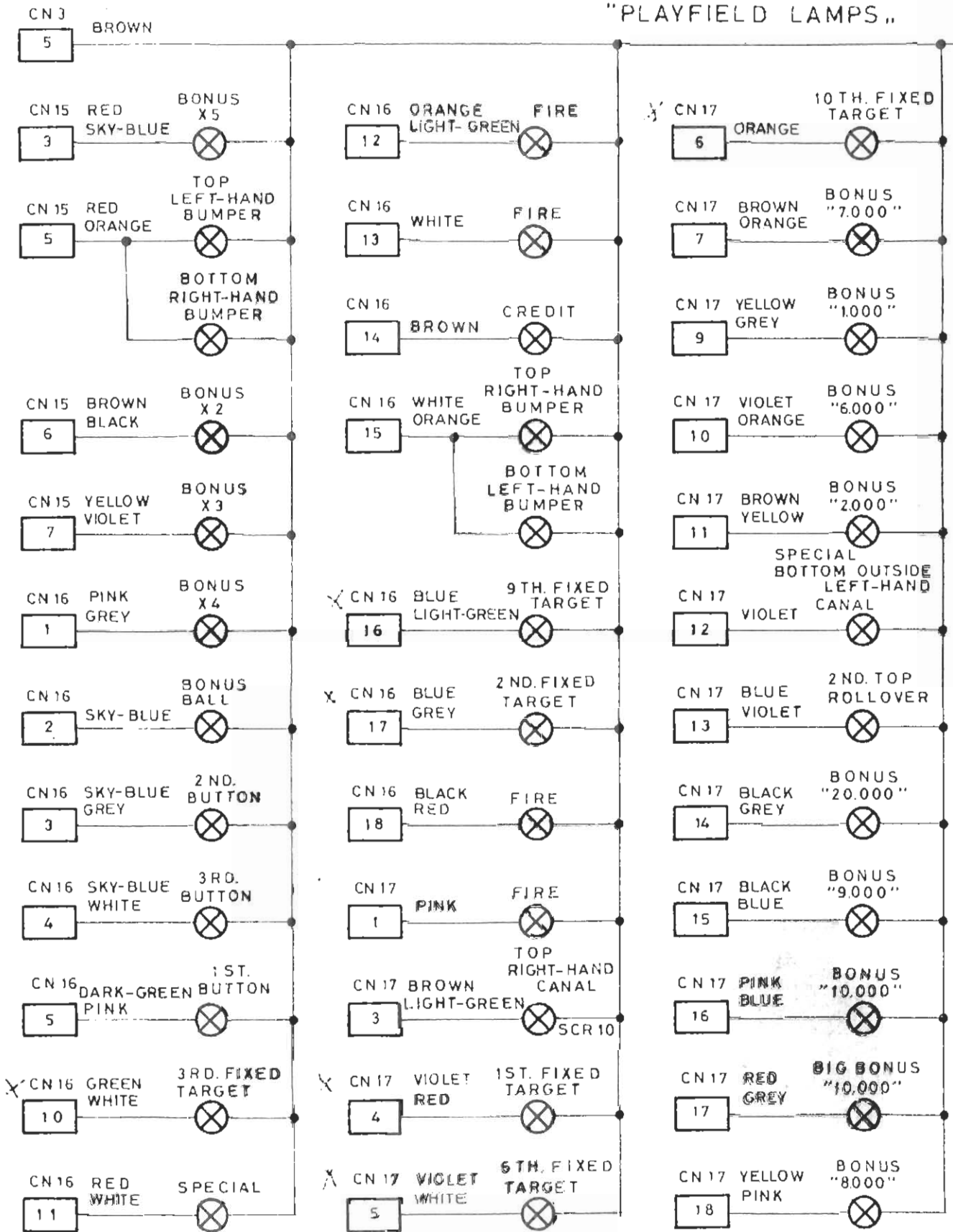


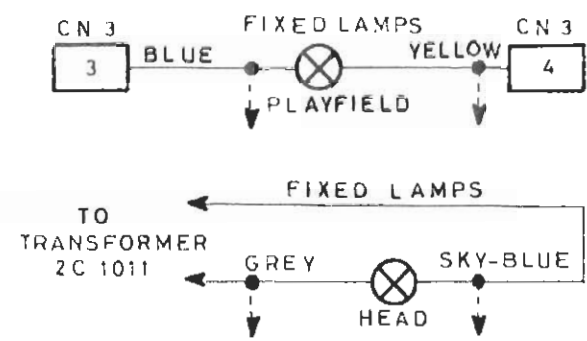
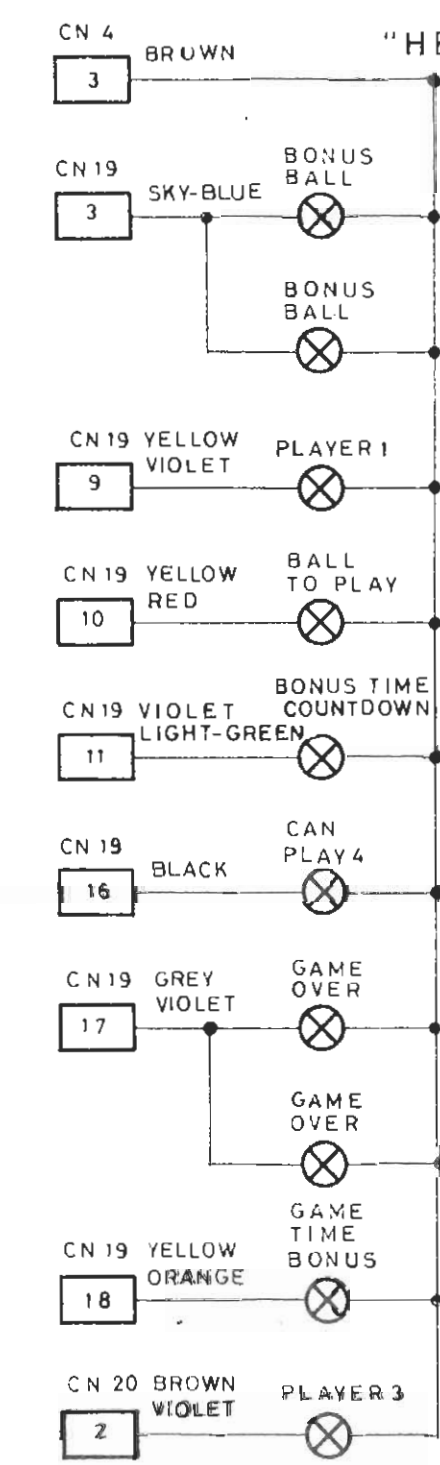
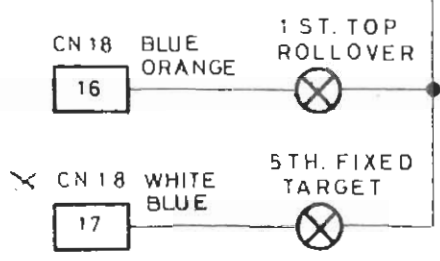
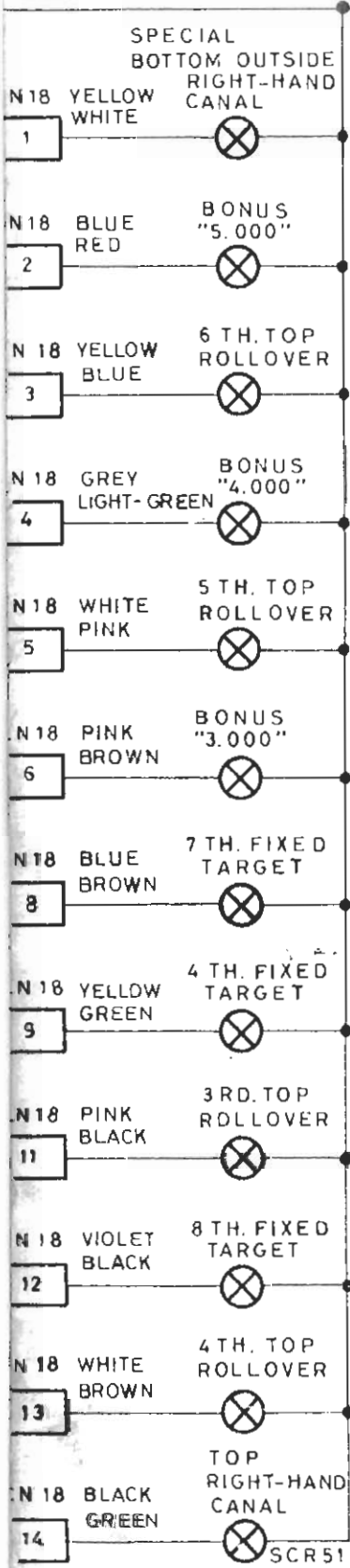


F.LLI ZACCARIA s.n.c.
 Via Armadori, 15 - 40012 CALDERARA DI RENO (Bo) Italy

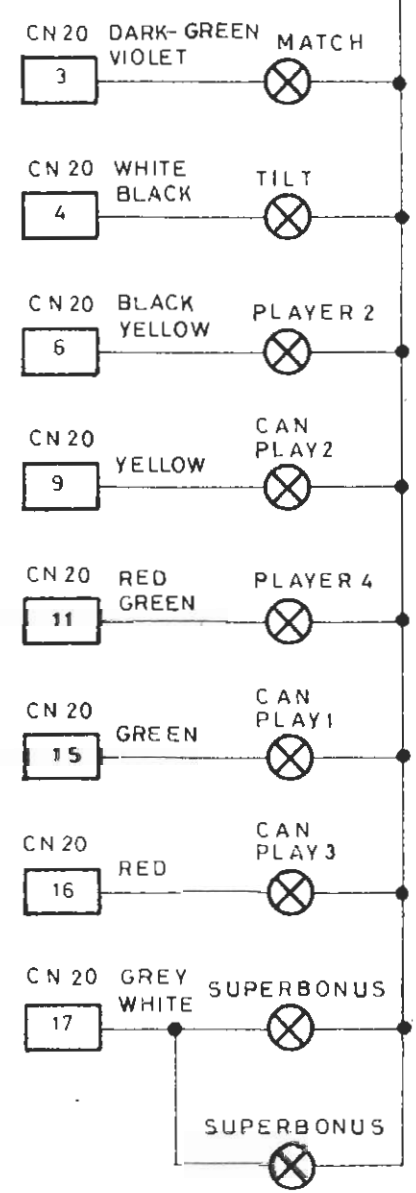
PART NAME Electrical diagram for coils wiring				PART NO.	
DWN. <i>A. P. A.</i>	DATE 25-2-81	REV. /	DATE REV. /	SHEET 1 of 1	
EARTH WIND FIRE					

"PLAYFIELD LAMPS"





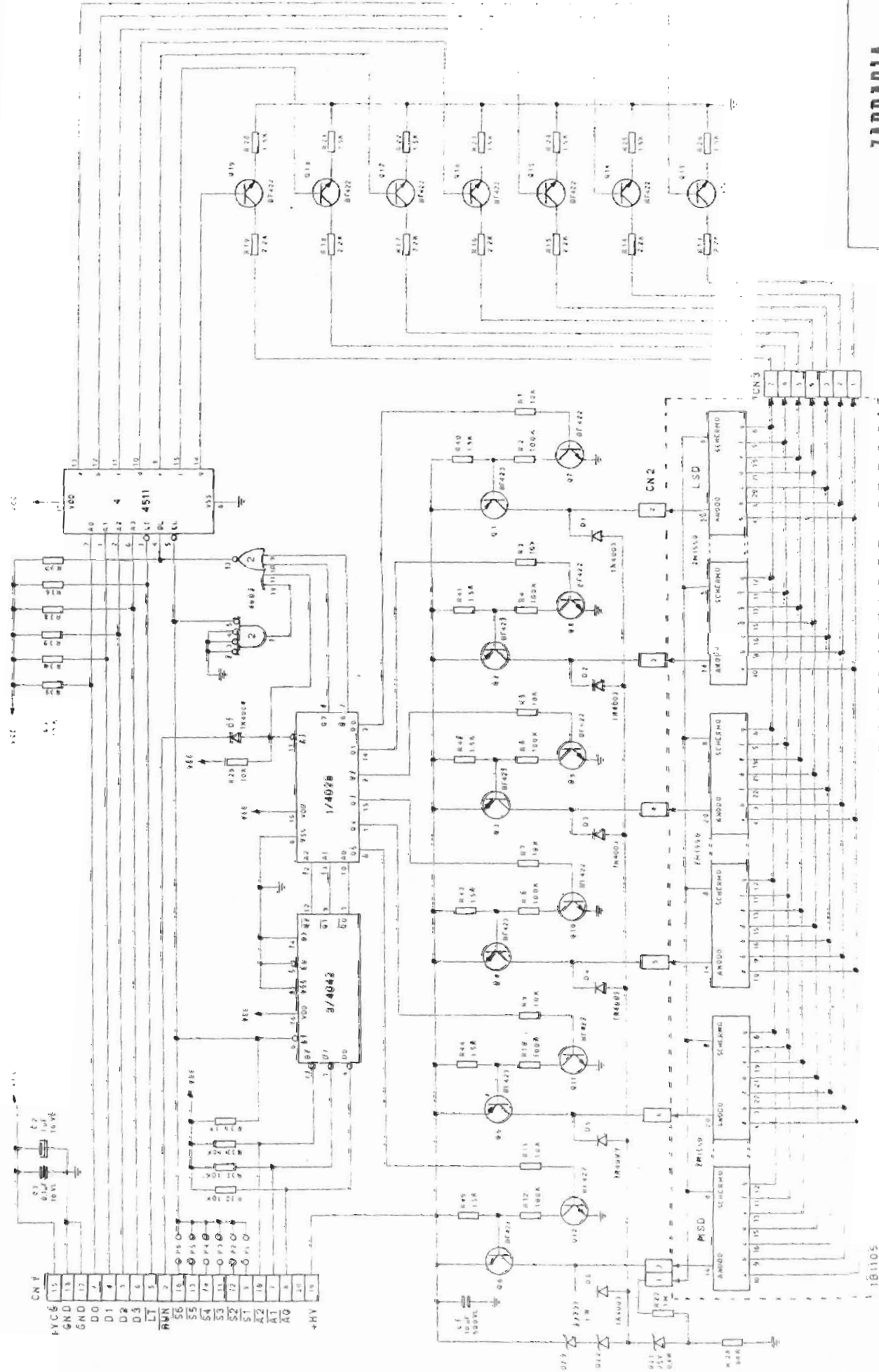
"HEAD LAMPS,"



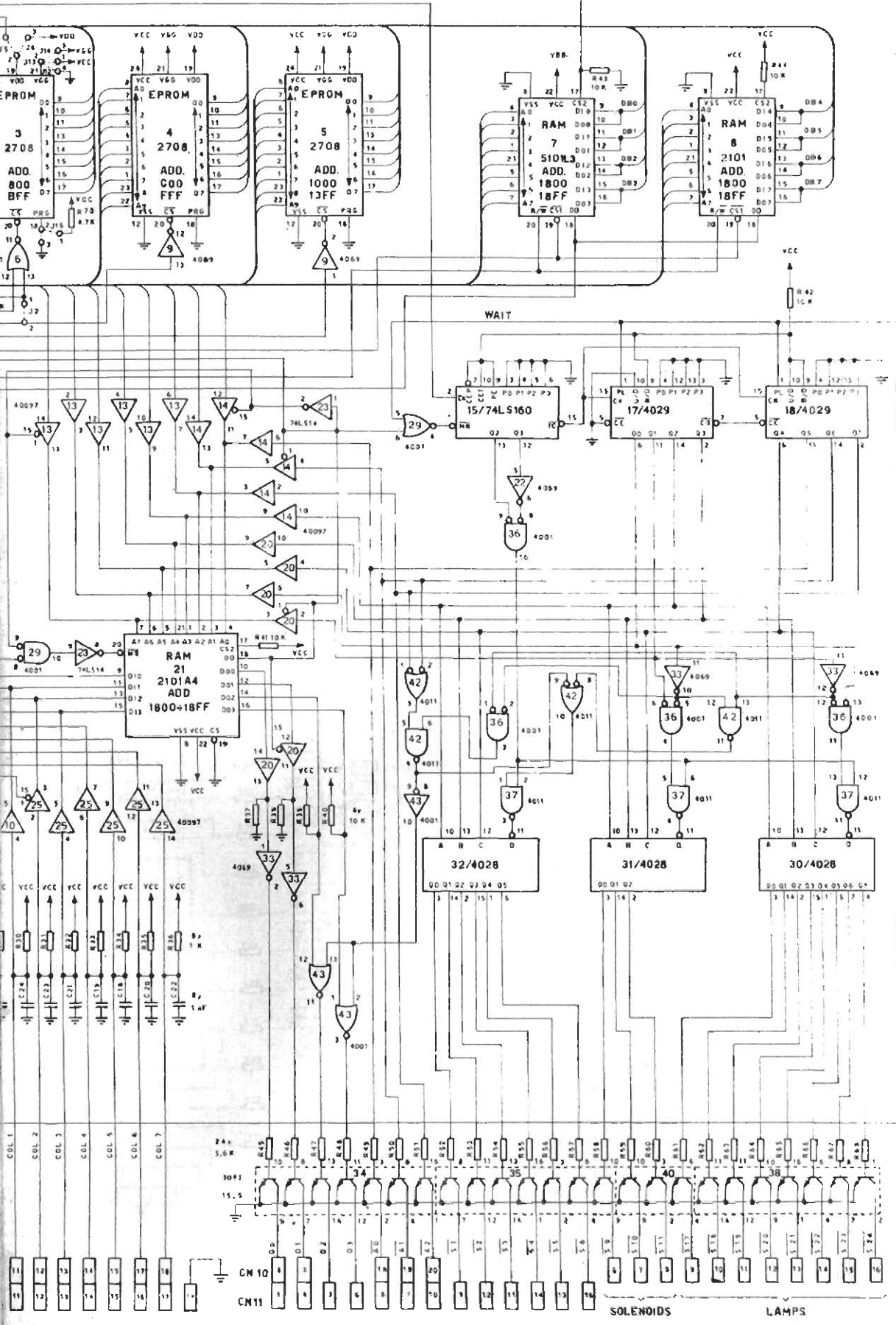
F.LI ZACCARIA s.n.c.
Via Armaroli, 15 - 40012 CALDERARA DI RENZO (Bo) Italy

PART NAME		PART NO.	
Electrical diagram for lamps wiring			
OWN.	DATE	REV.	DATE REV.
A. Zaccaria	27-2-81		
SHEET			1 of 1
EARTH WIND FIRE			

DISPLAY boards



ZACCARIA



FROM CONTACTS

DATA

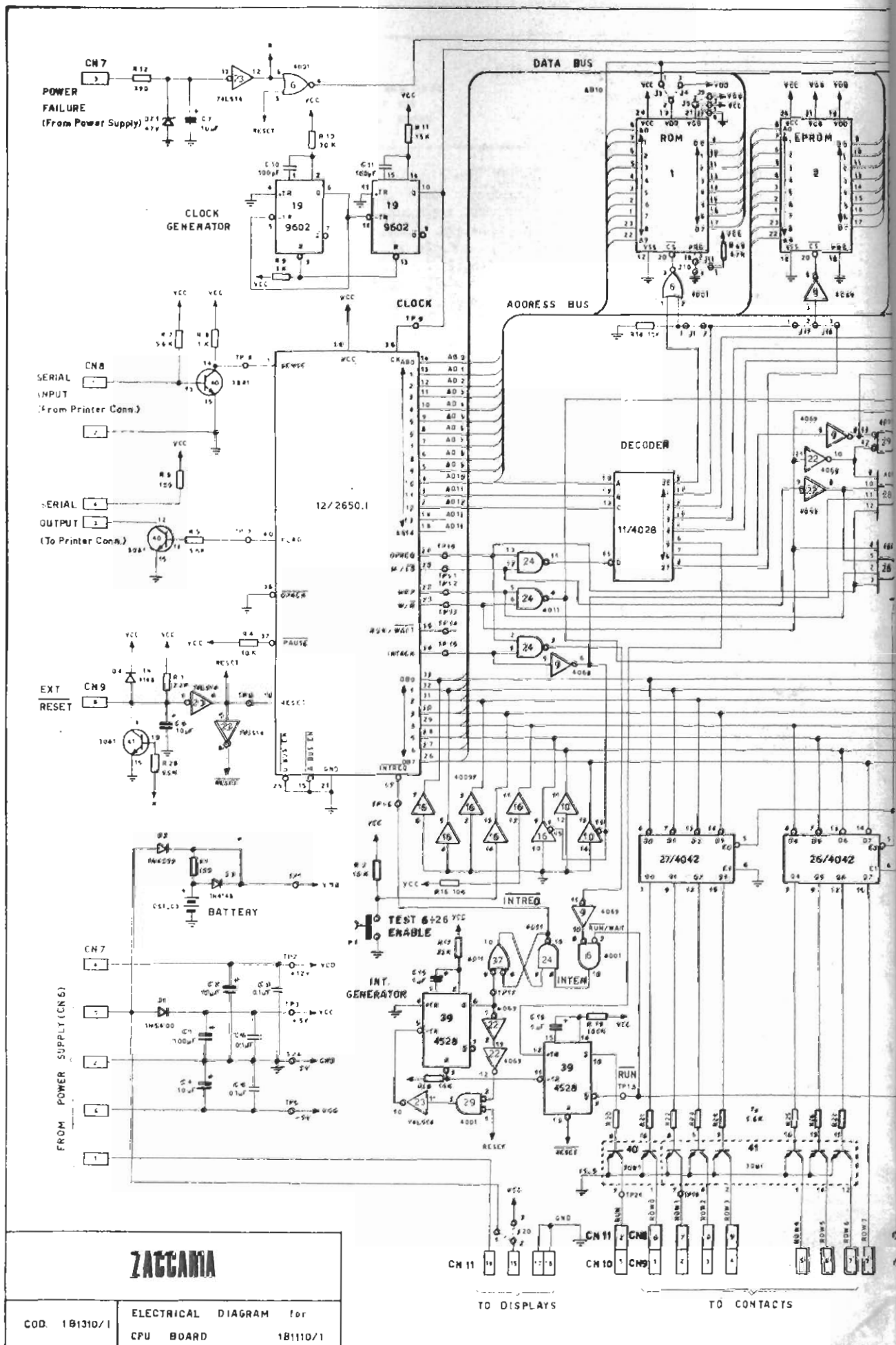
ADDRESS

SELECTIONS TO DISPLAYS

SELECTIONS TO DRIVER BOARD

SOLENOIDS

LAMPS



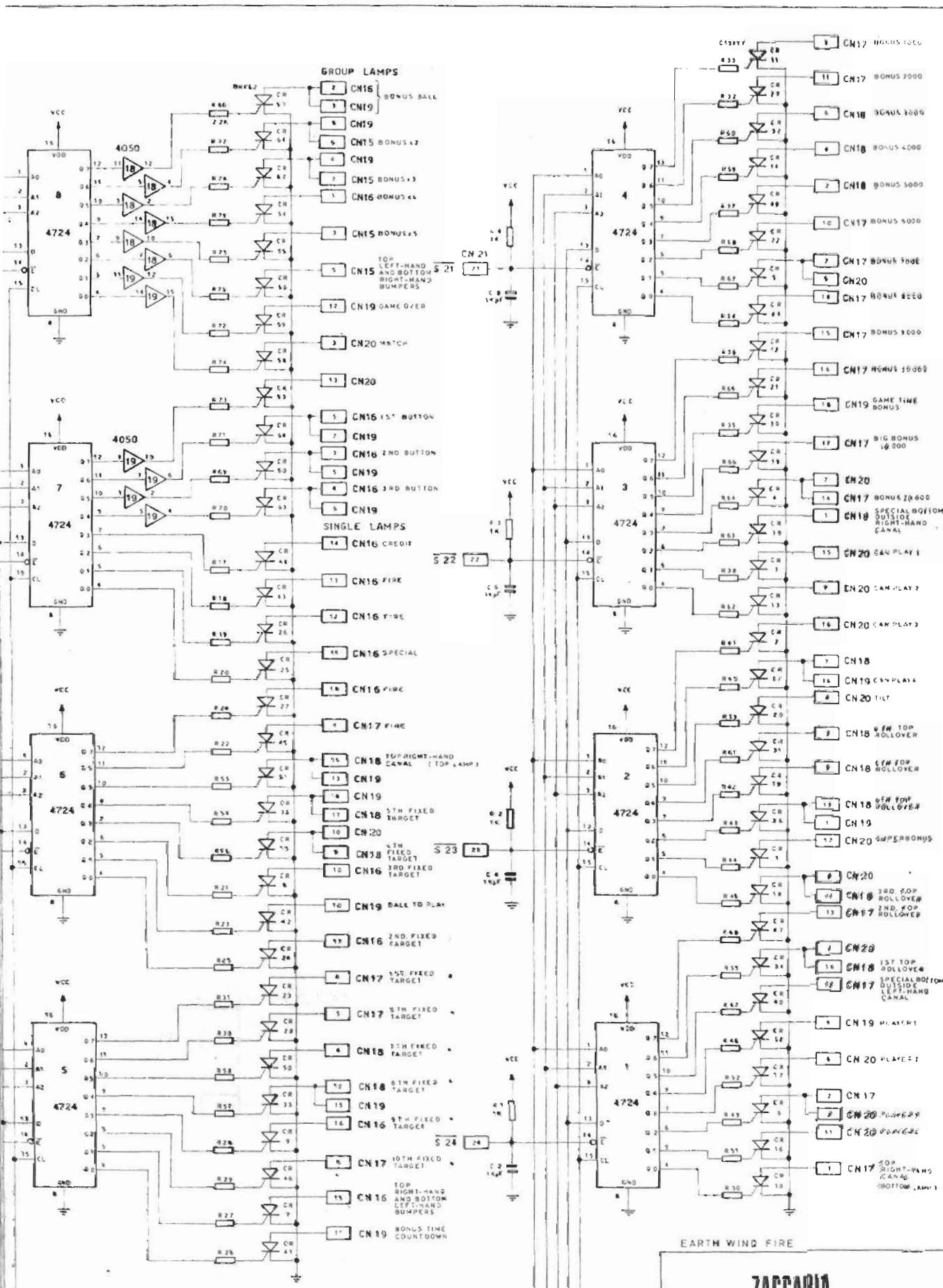
ZACCARIA

COD. 1B1310/1

ELECTRICAL DIAGRAM for
CPU BOARD 1B1110/1

TO DISPLAYS

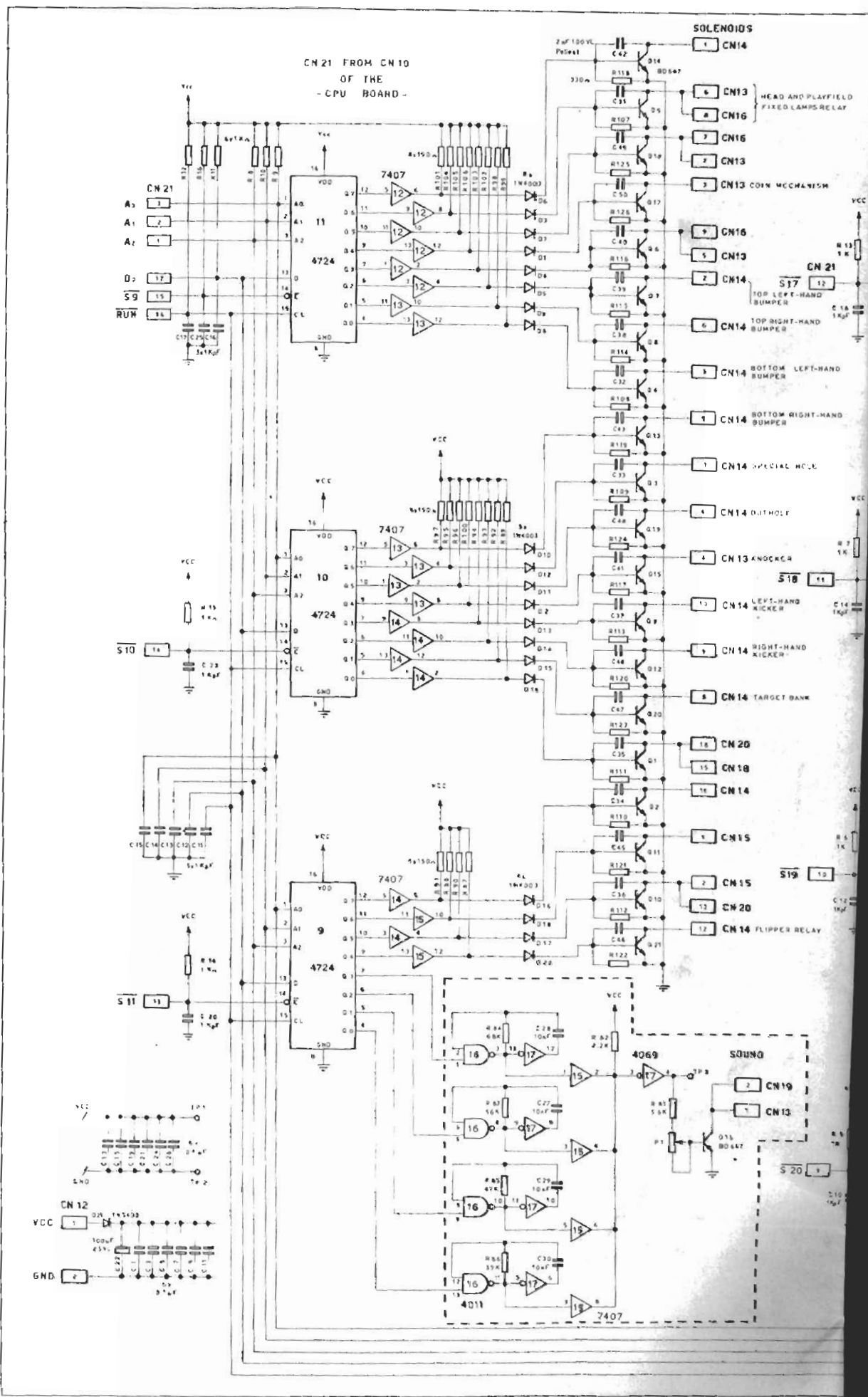
TO CONTACTS



EARTH WIND FIRE

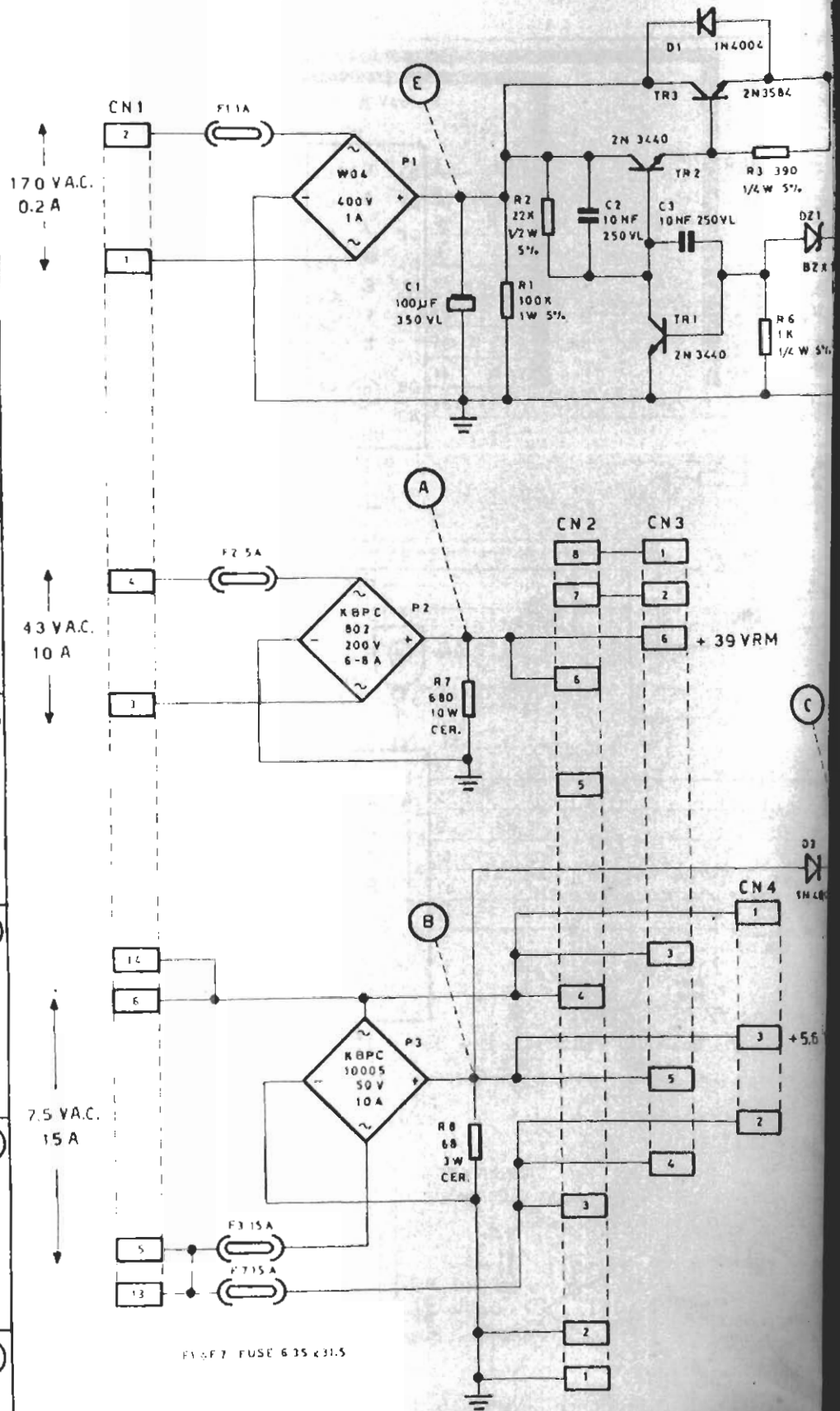
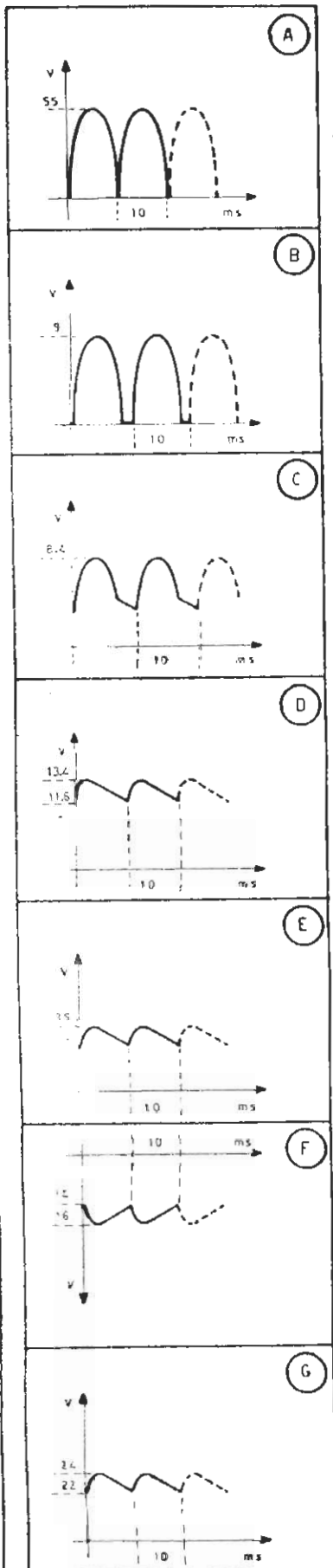
ZACCARIA

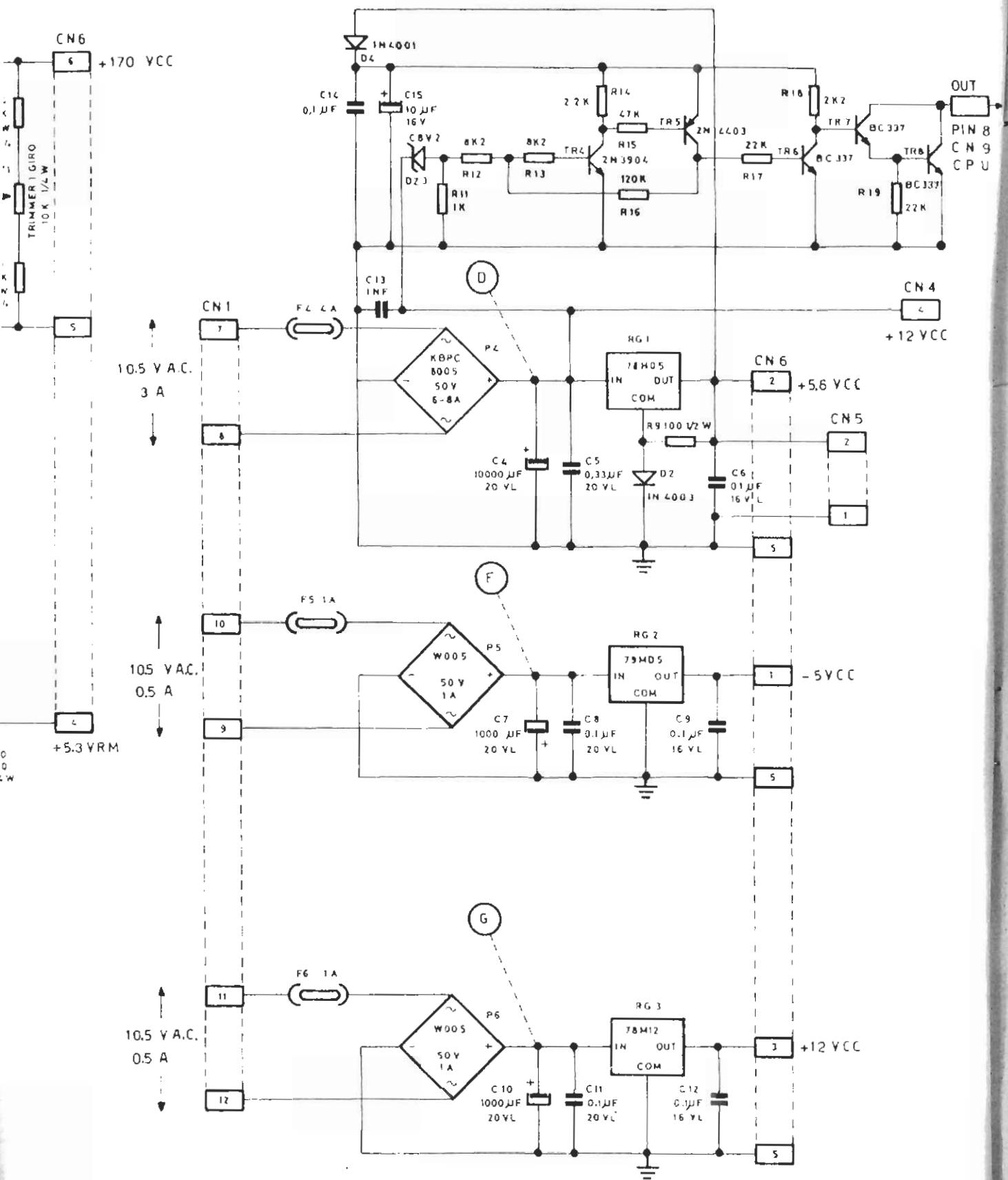
COD. 181311/0	ELECTRICAL DIAGRAM 4417
INTERFACE BOARD 181111/0	



POWER board

OSCILLOSCOPE DEFINABLE CURVES





ZACCARIA

COD IB1309/4

ELECTRICAL DIAGRAM for
POWER BOARD IB1109/4

