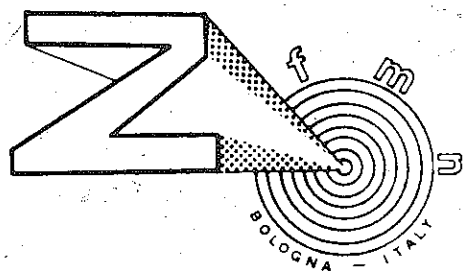


ELECTRICAL DIAGRAMS

for

FIRE MOUNTAIN



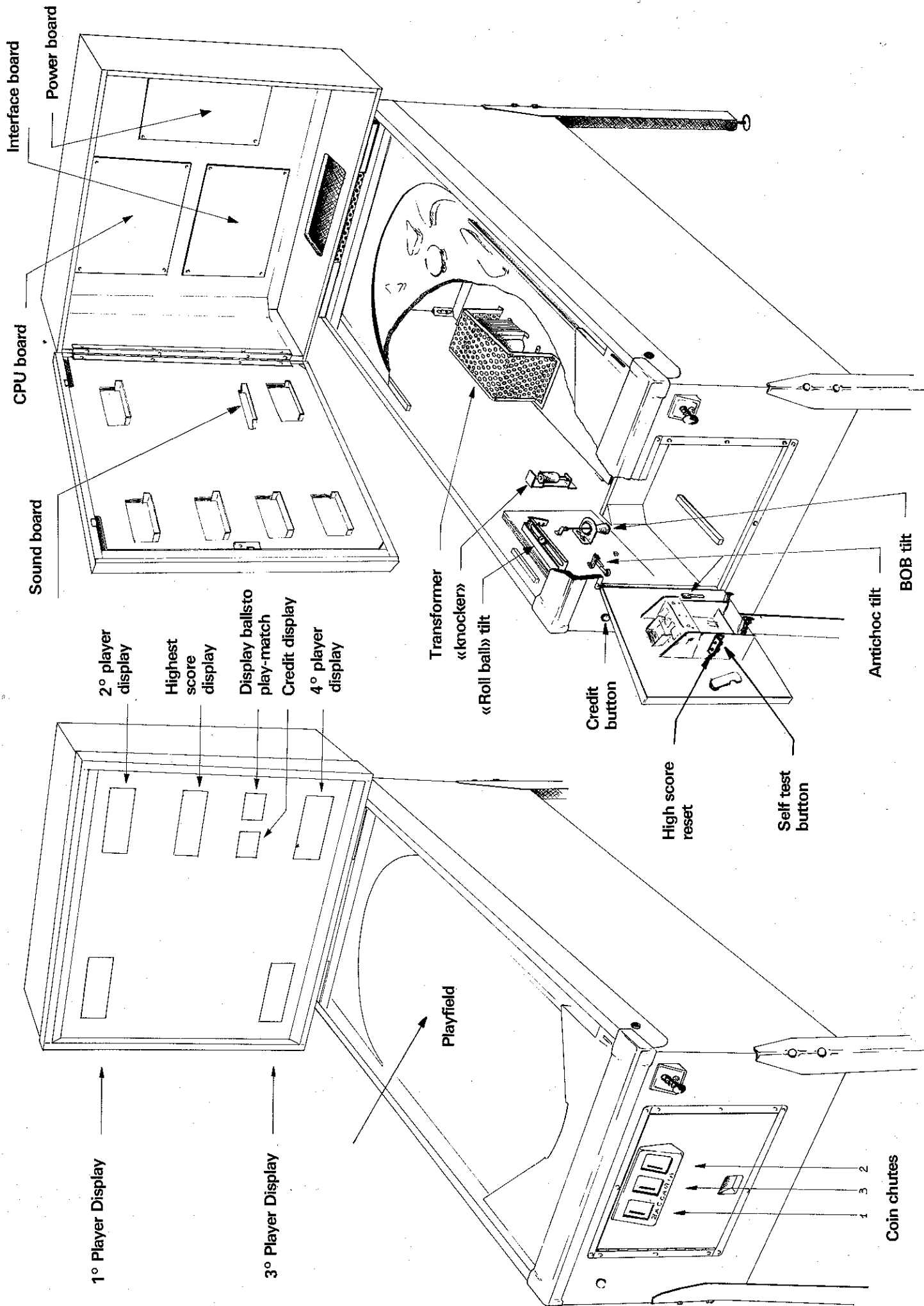
F.LLI ZACCARIA S.n.c.

di Zaccaria Marino - Franco - Natale

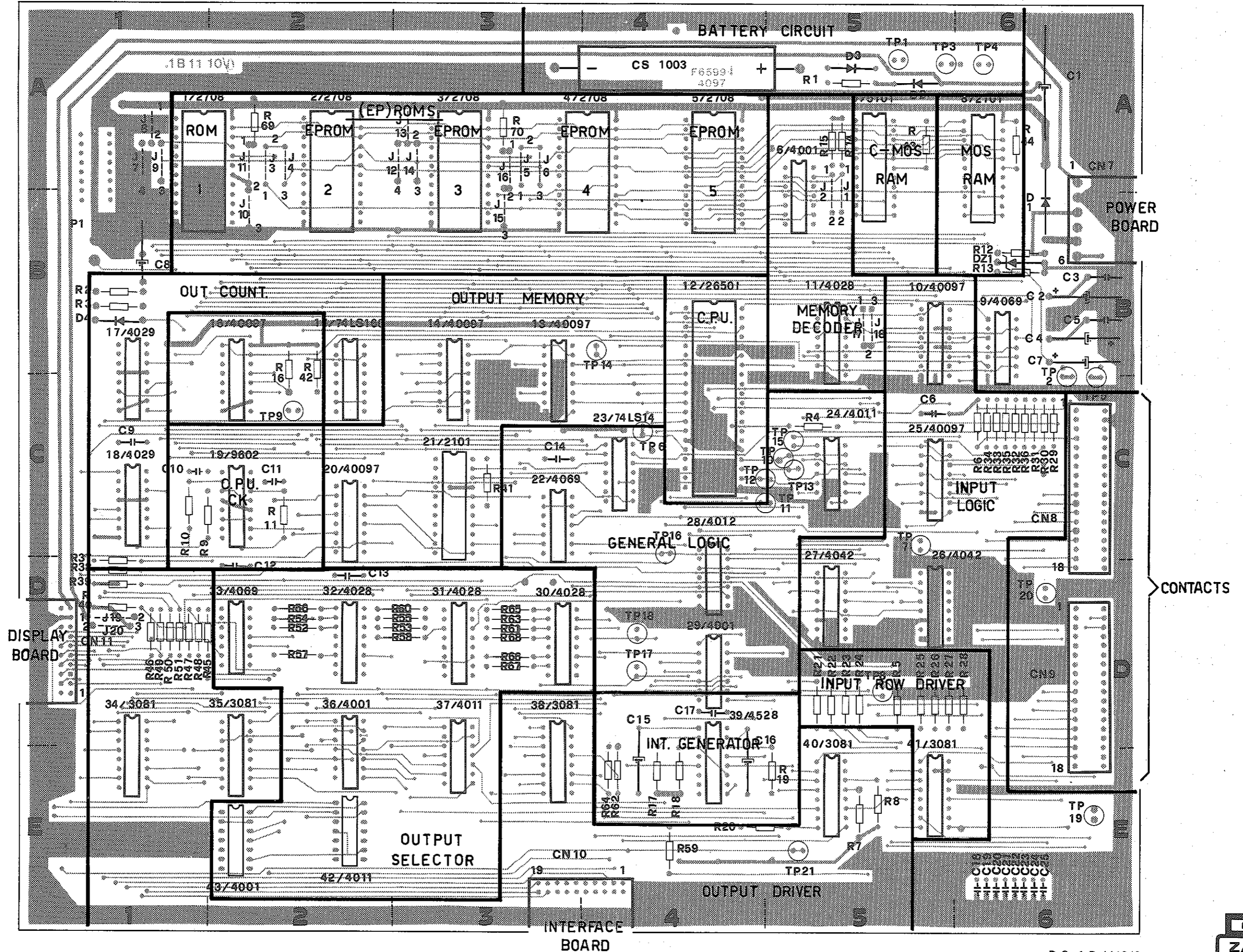
COSTRUZIONI GIOCHI D'ATTRAZIONE

Via Armaroli, 15 - 40012 CALDERARA DI RENO (Bo) Italy
Telefono (051) 72.23.81 / 82 con ricerca automatica.
Telex 510524 INTERCON

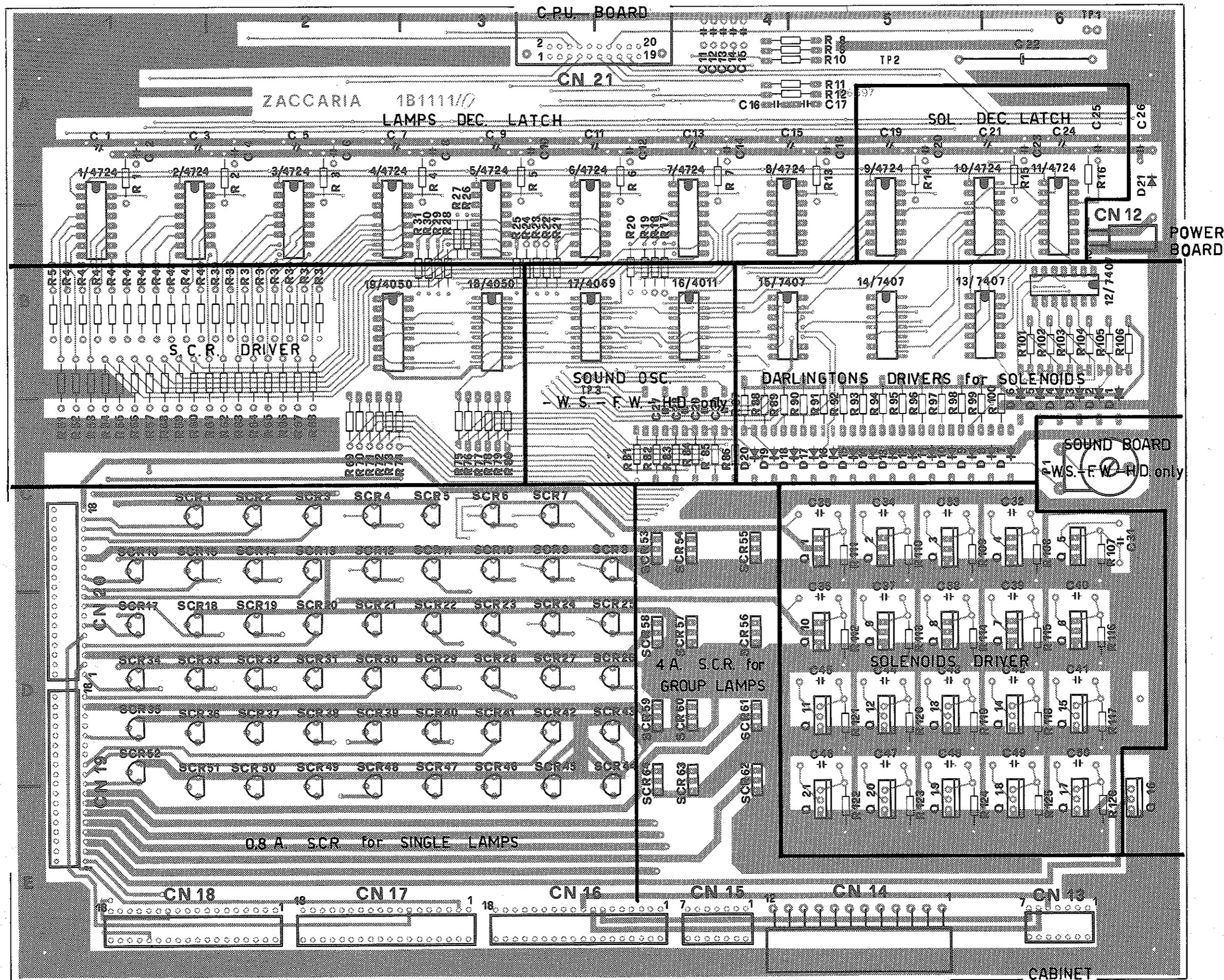




C.P.U. board



INTERFACE board



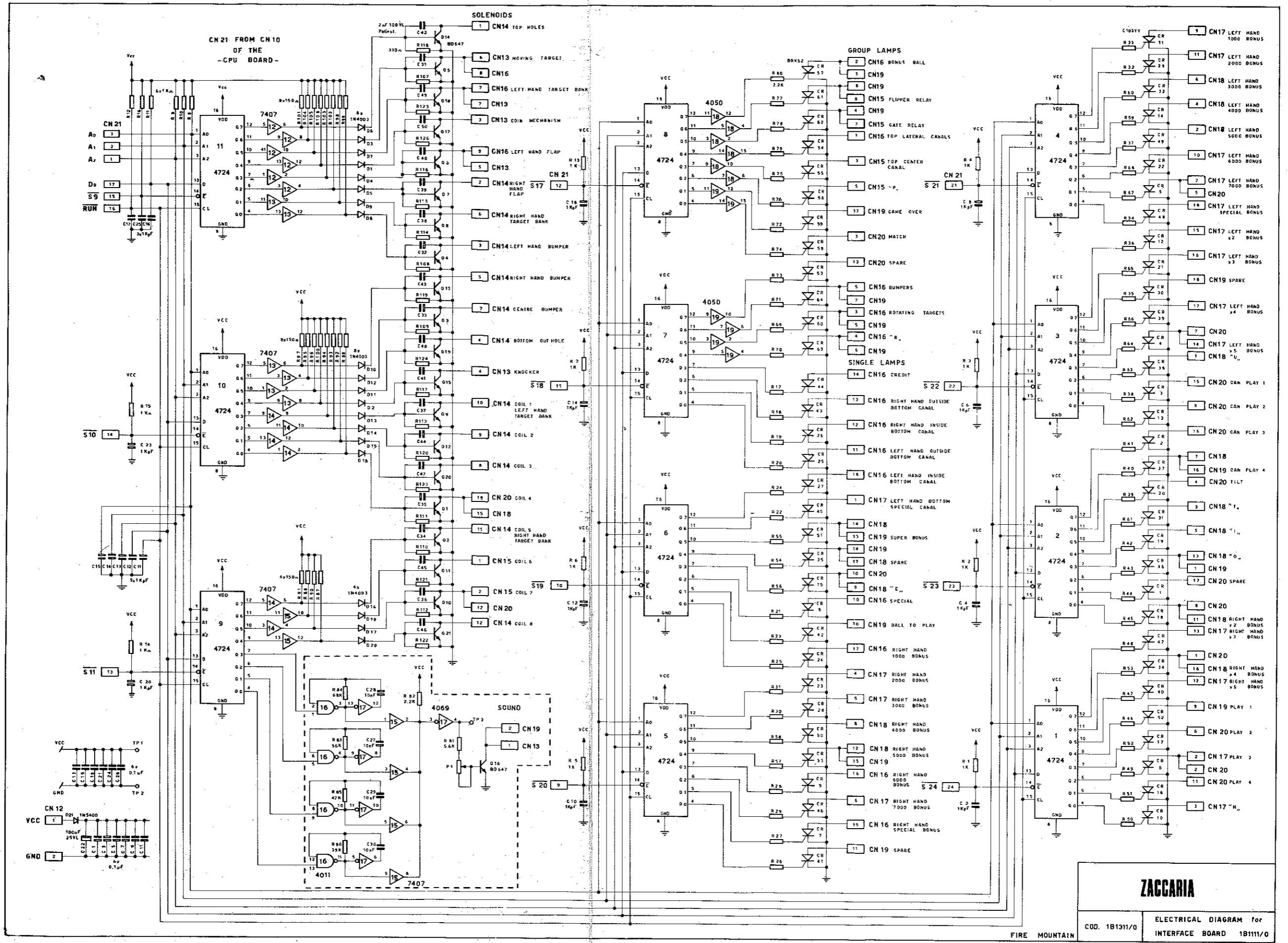
HEAT

PLAYFIELD

P.C. 1 B 1111/0



INTERFACE board

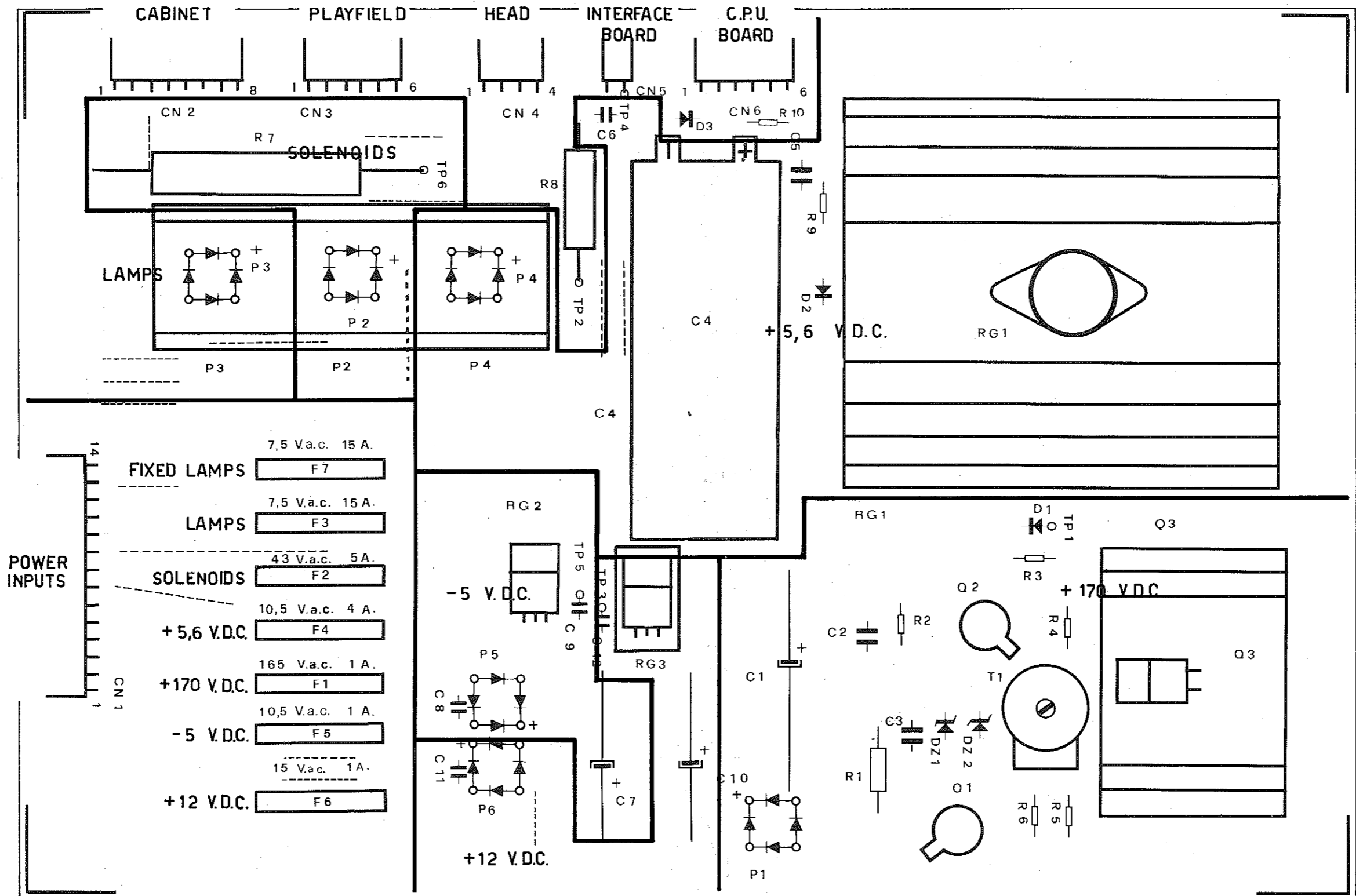


ZACCARIA

ELECTRICAL DIAGRAM for
 COD. 1B1311/0
 INTERFACE BOARD 1B1111/0

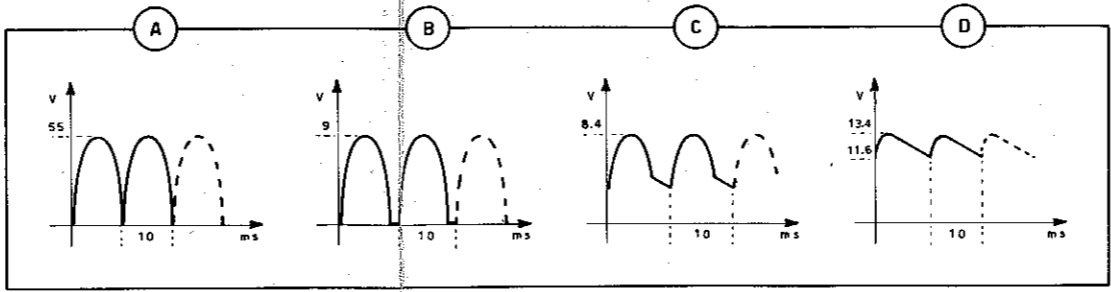
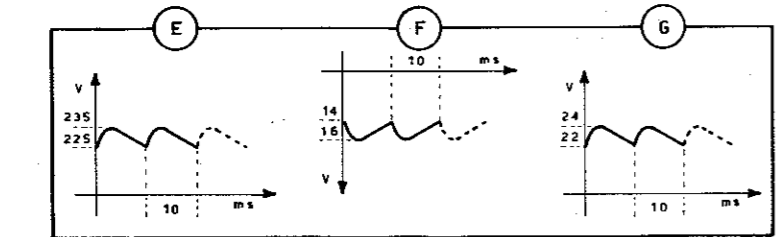
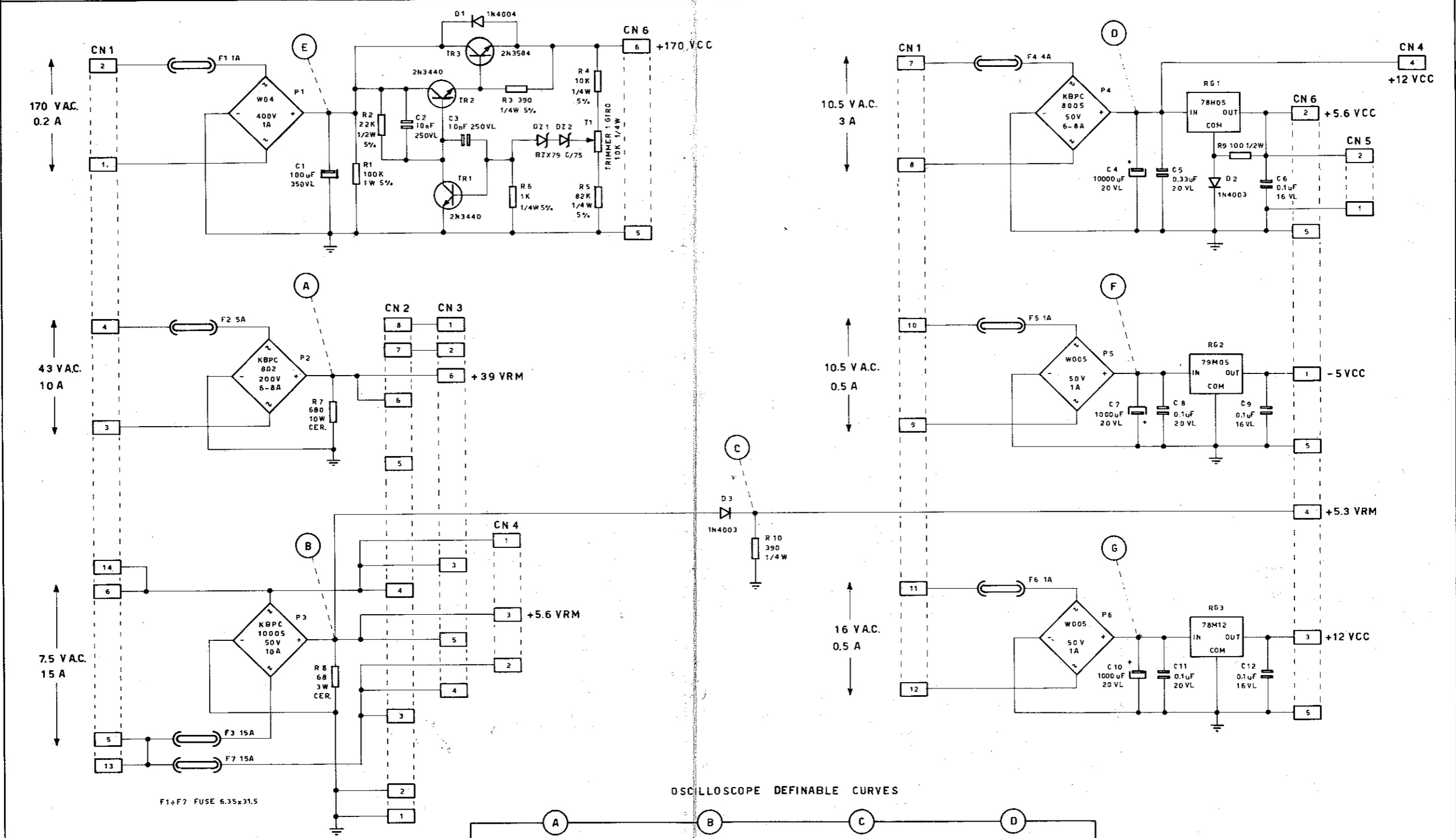
FIRE MOUNTAIN

POWER board



P.C. 1 B 1109/3

POWER board

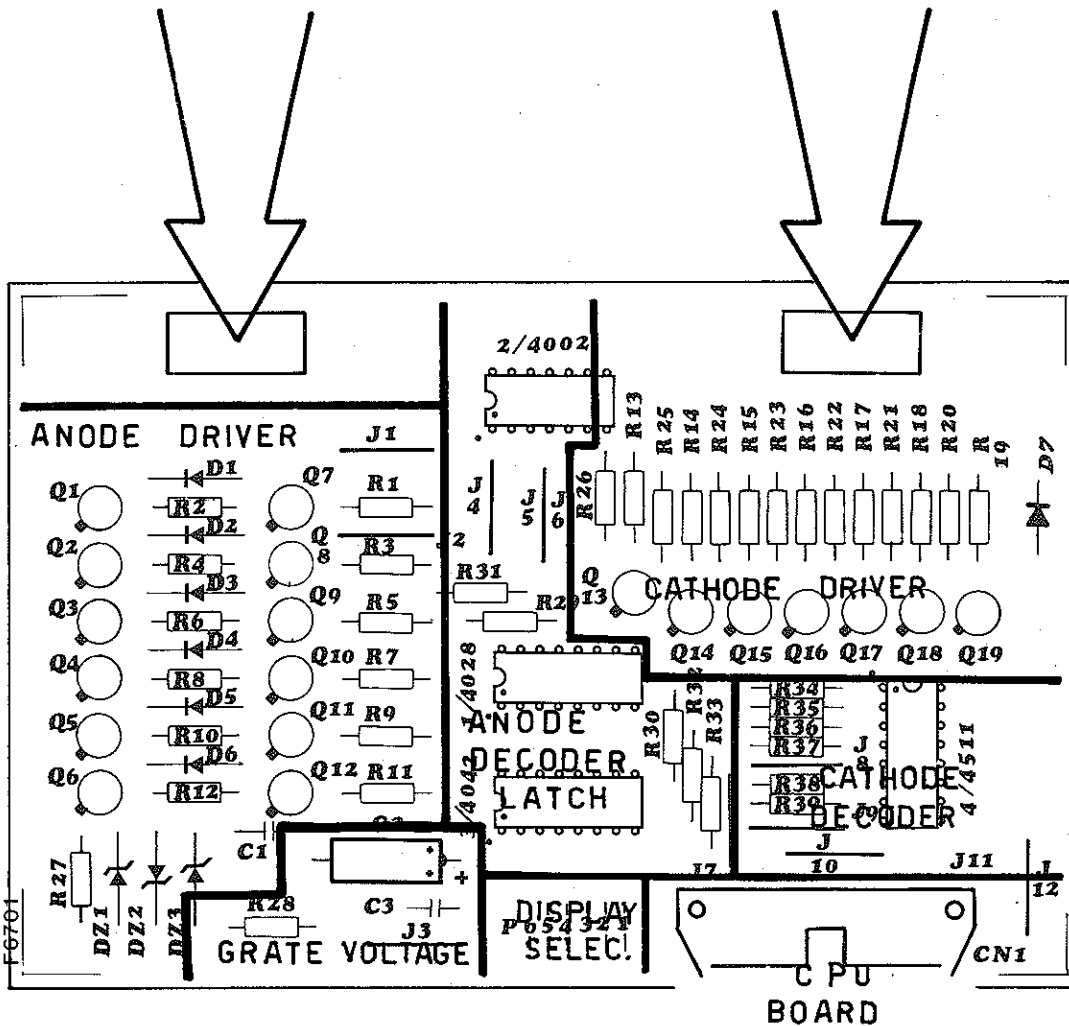
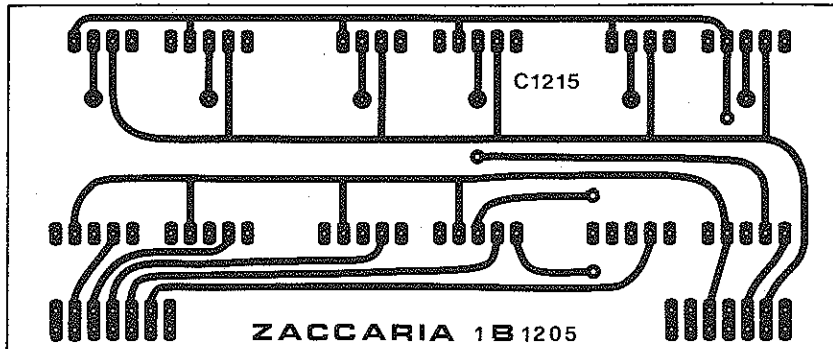


ZACCARIA

ELECTRICAL DIAGRAM for
POWER BOARD 1B1109

COD 1B1309/0

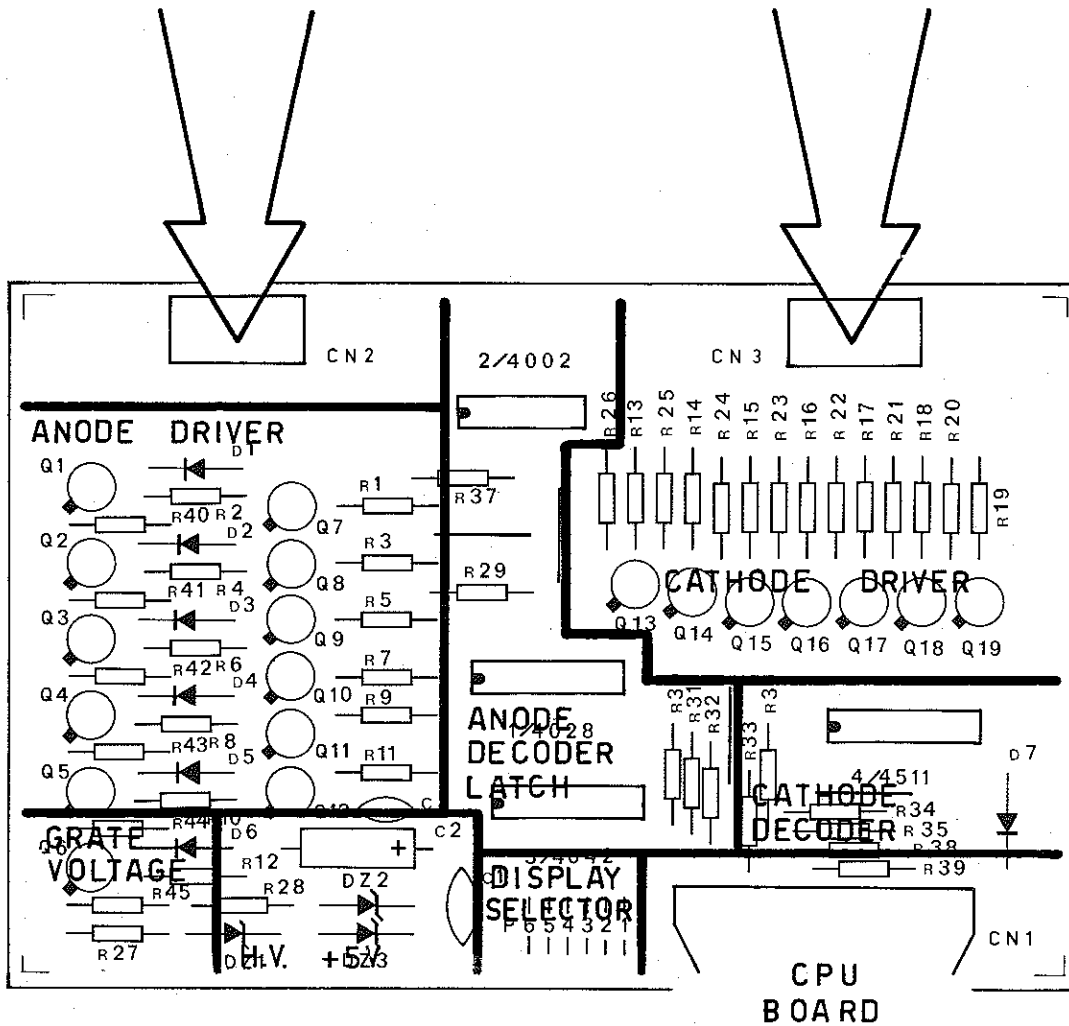
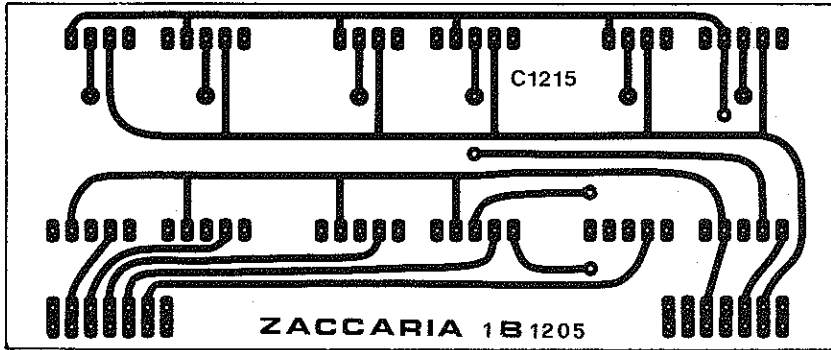
DISPLAY boards



P.C. 1 B 1104



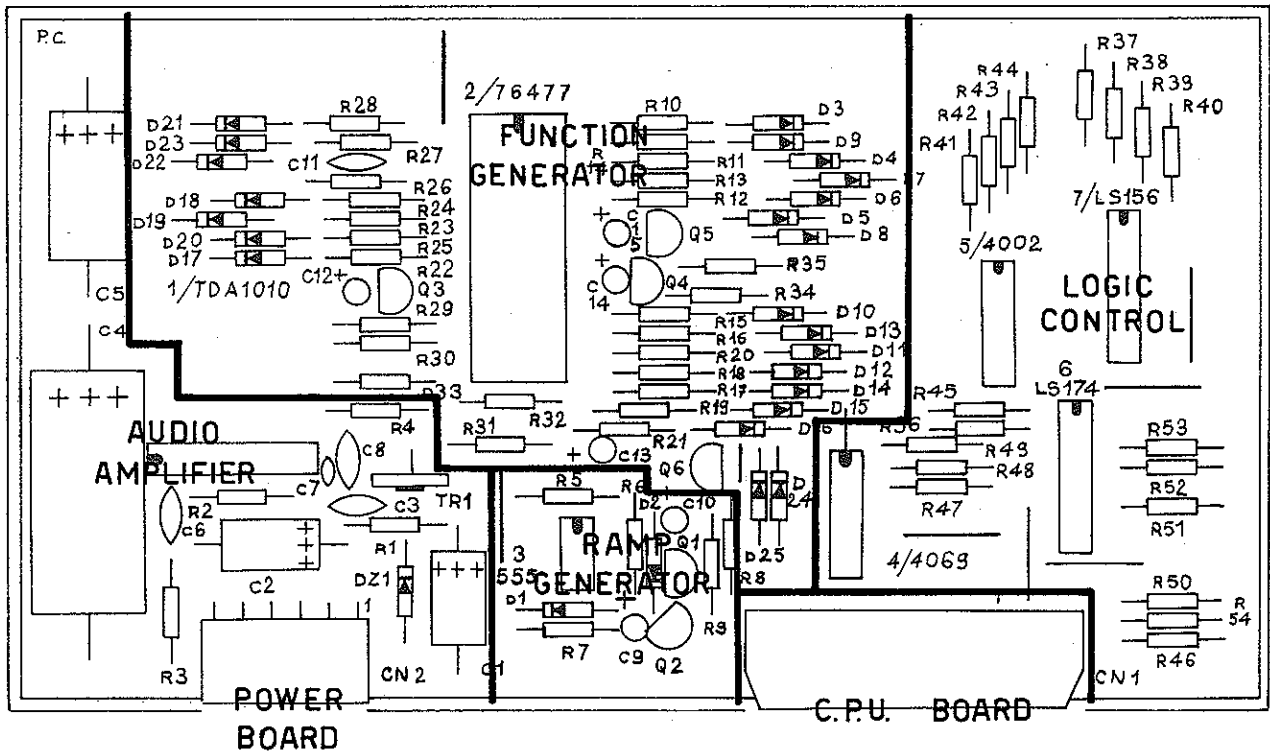
DISPLAY boards



P.C. 1 B 1104/0

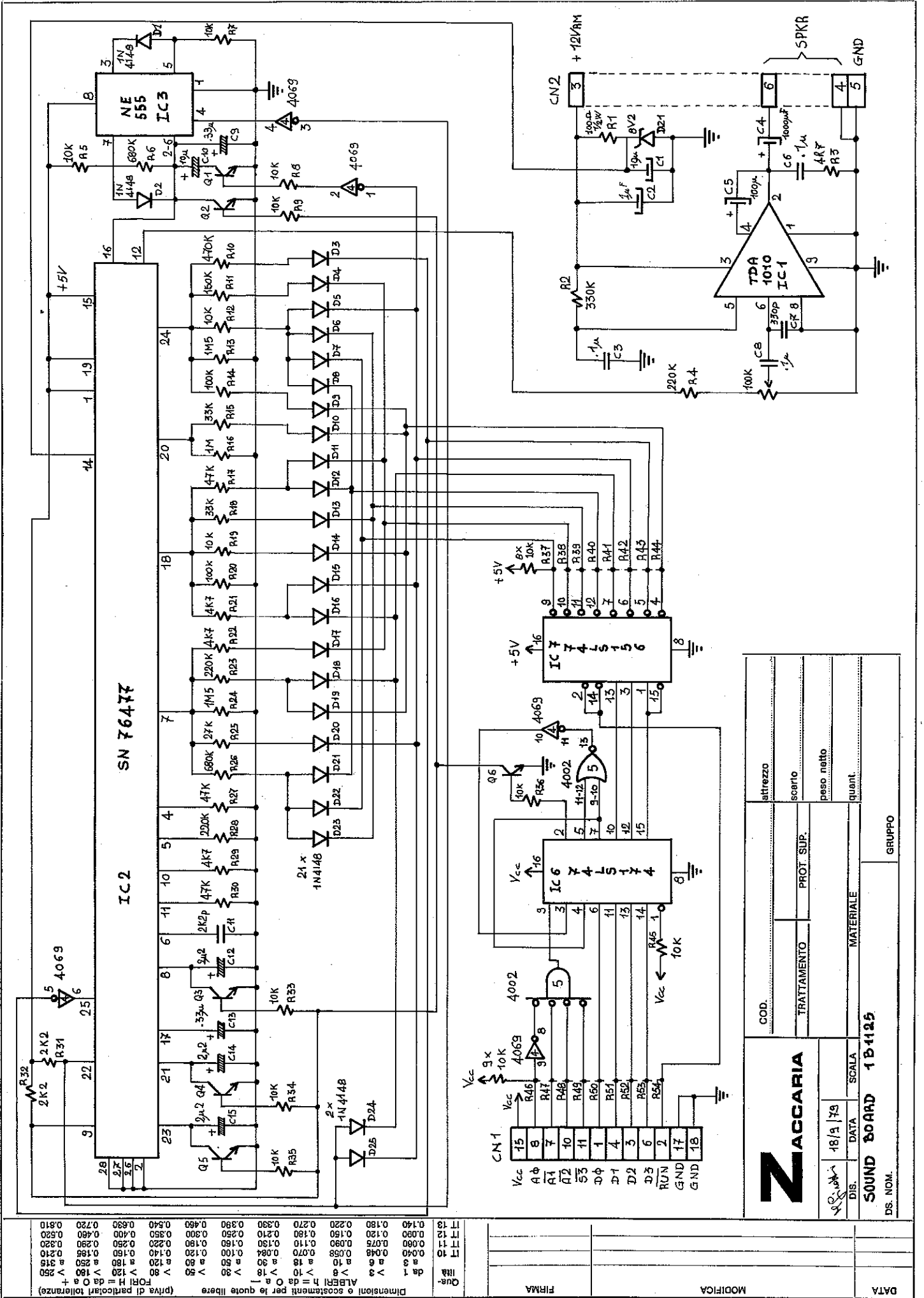


SOUND board



P.C. 1 B 1125

SOUND board



Dimensioni e scostamenti per le quote libere
 ALBERI h = da 0 a 1
 V = 0,010
 V = 0,050
 V = 0,100
 V = 0,150
 V = 0,200
 V = 0,250
 V = 0,300
 V = 0,350
 V = 0,400
 V = 0,450
 V = 0,500
 V = 0,550
 V = 0,600
 V = 0,650
 V = 0,700
 V = 0,750
 V = 0,800
 V = 0,850
 V = 0,900
 V = 0,950
 V = 1,000

Ques
 11
 12
 13
 14
 15
 16
 17
 18
 19
 20
 21
 22
 23
 24
 25
 26
 27
 28
 29
 30
 31
 32
 33
 34
 35
 36
 37
 38
 39
 40
 41
 42
 43
 44
 45
 46
 47
 48
 49
 50

MODIFICA

FIRMA

DATA

GRUPPO

18/A/79

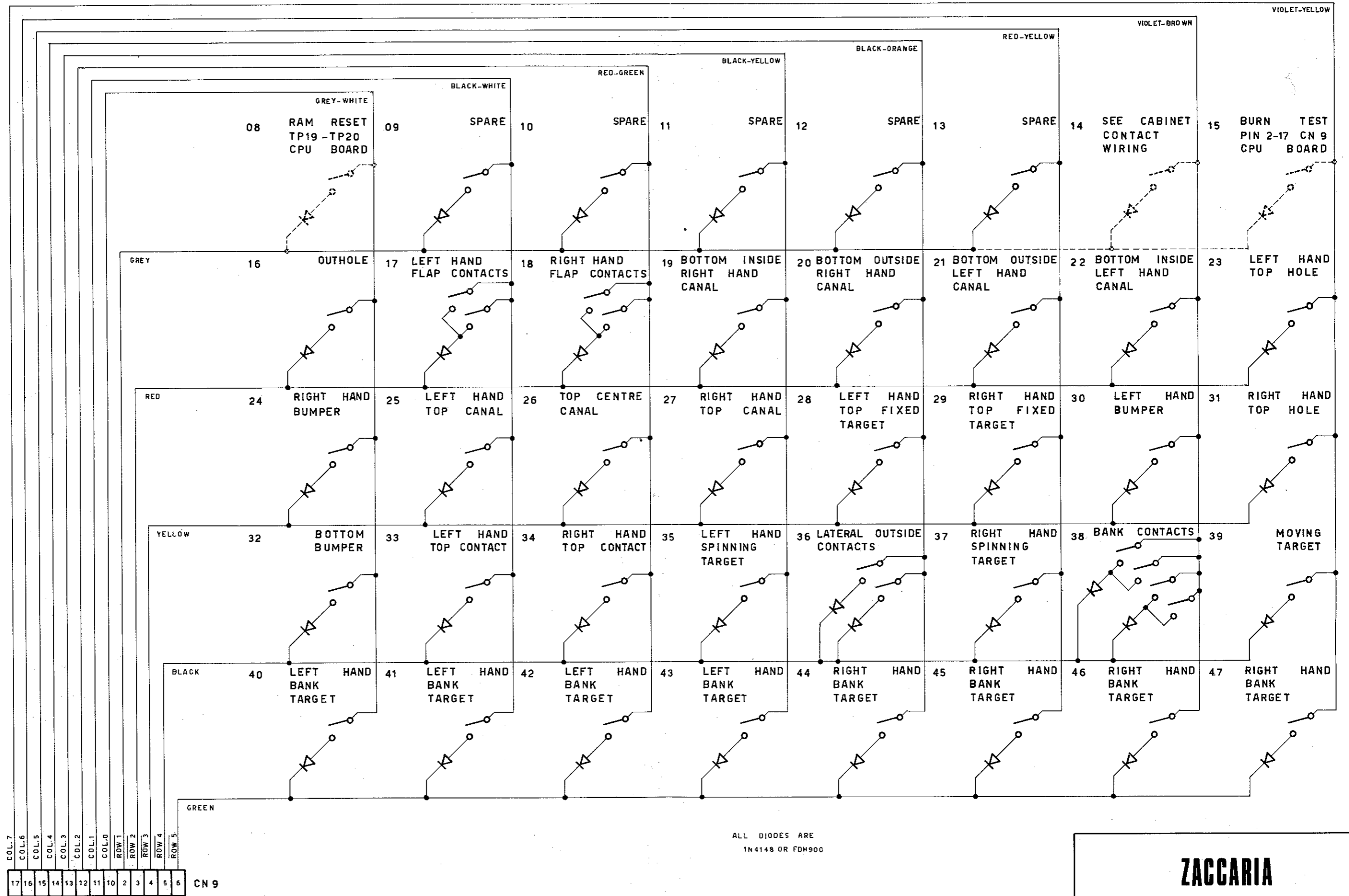
SCALA

18/A/79

18/A/79

18/A/79

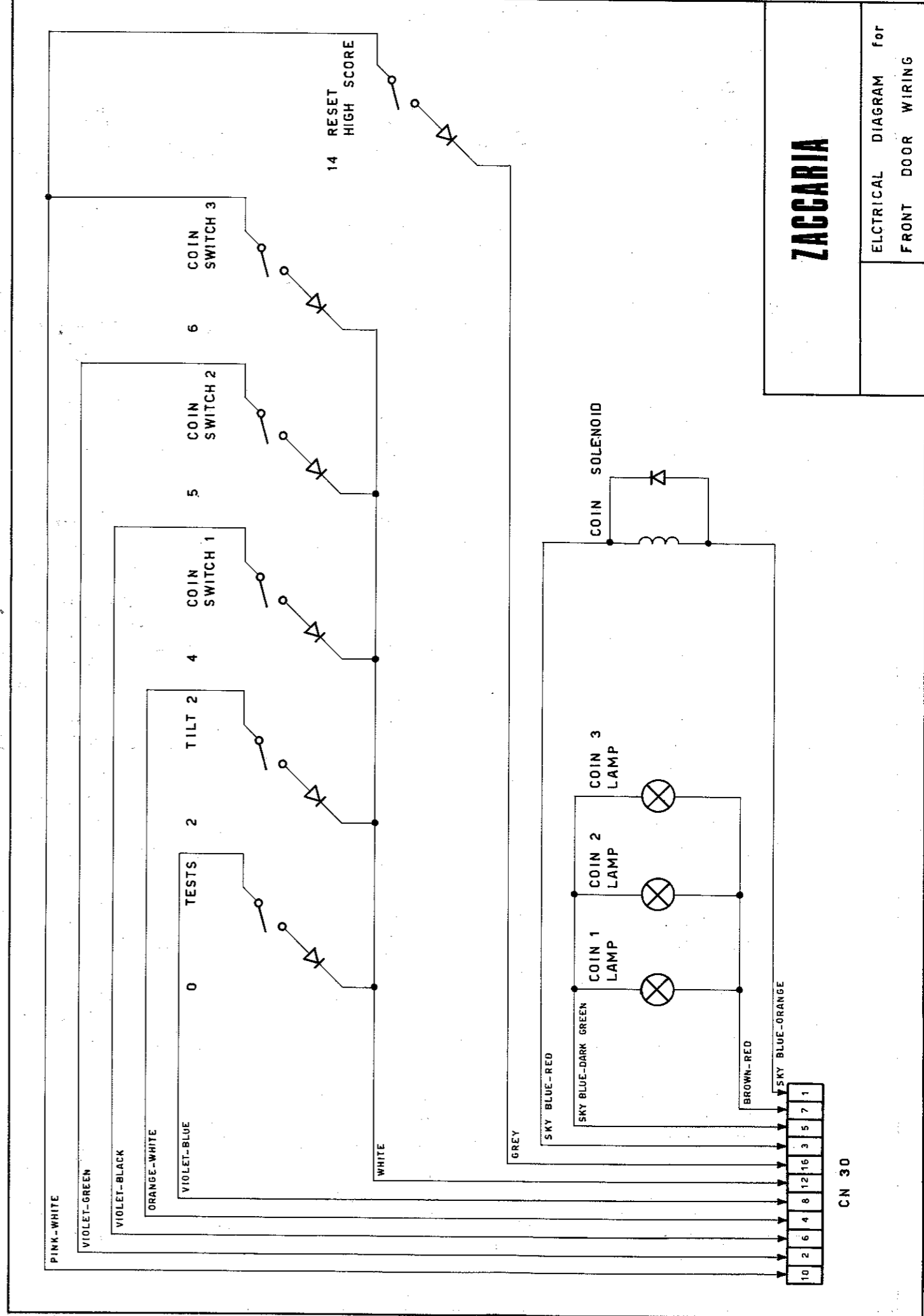
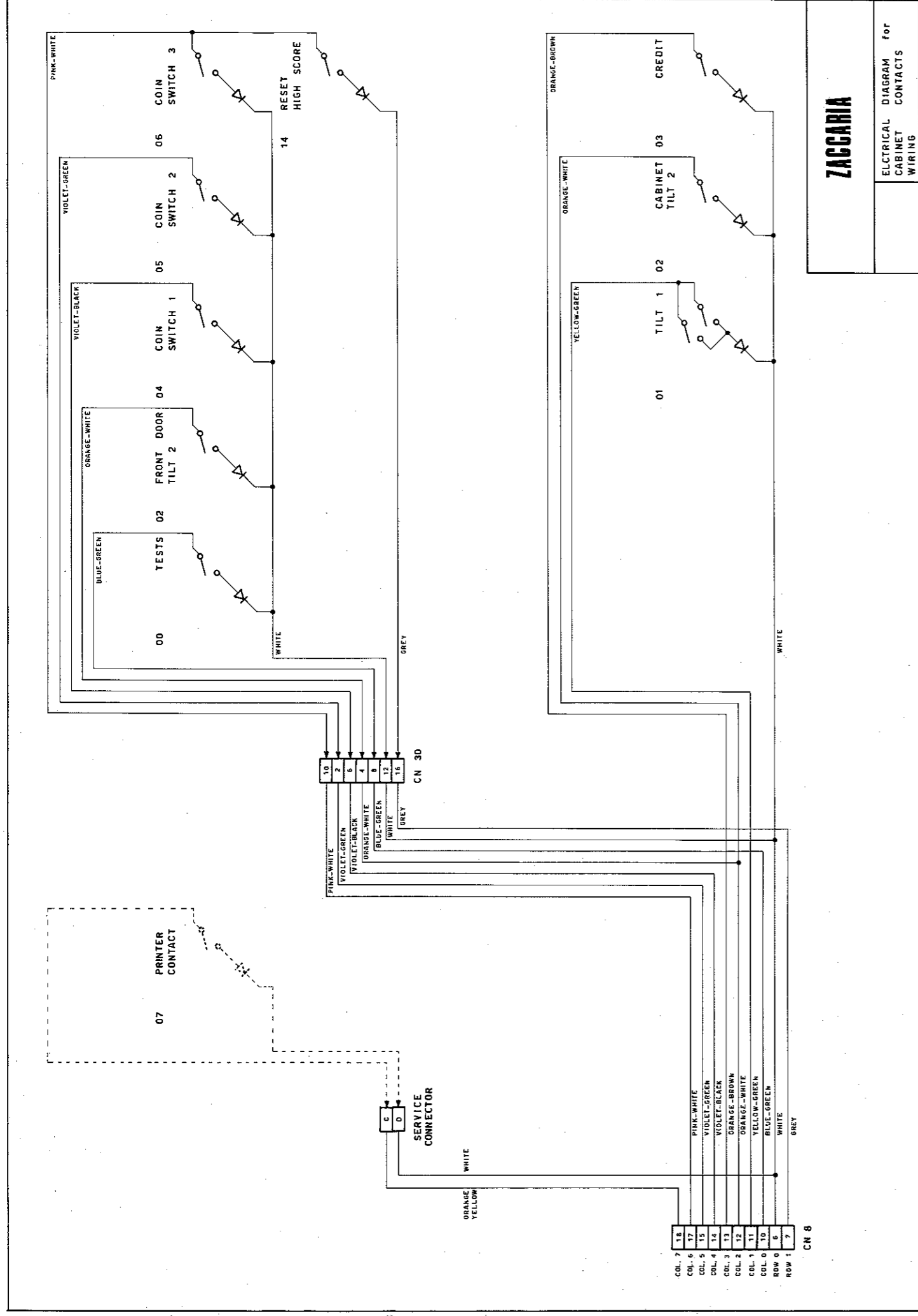
NACCARIA		COD.		sintezzo	
TRATTAMENTO		PROT. SUP.		scarto	
MATERIALE		peso netto		quant.	
18/A/79		18/A/79		18/A/79	
SOUND BOARD		18/A/79		18/A/79	
DS. NOM.		GRUPPO		GRUPPO	



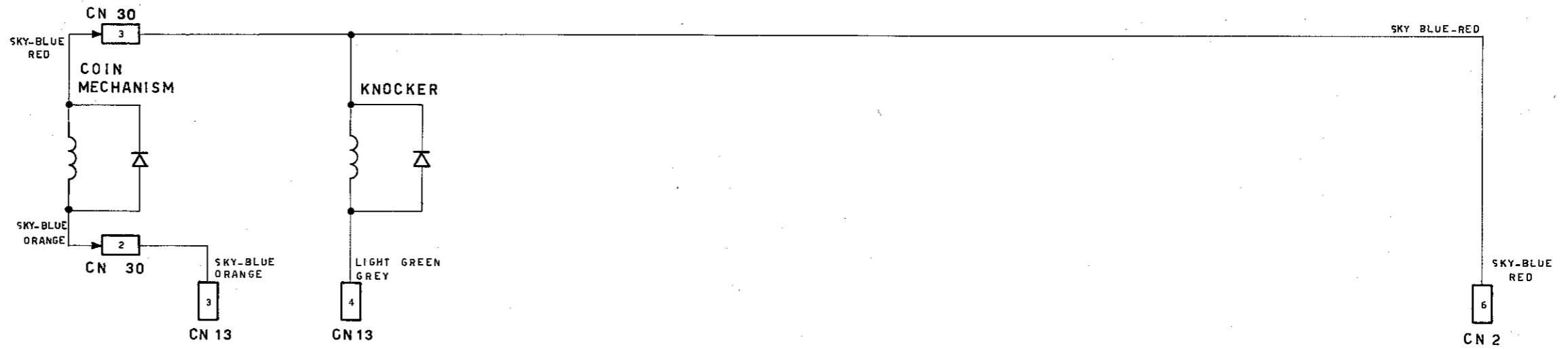
ALL DIODES ARE
1N4148 OR FDH900

ZACCARIA

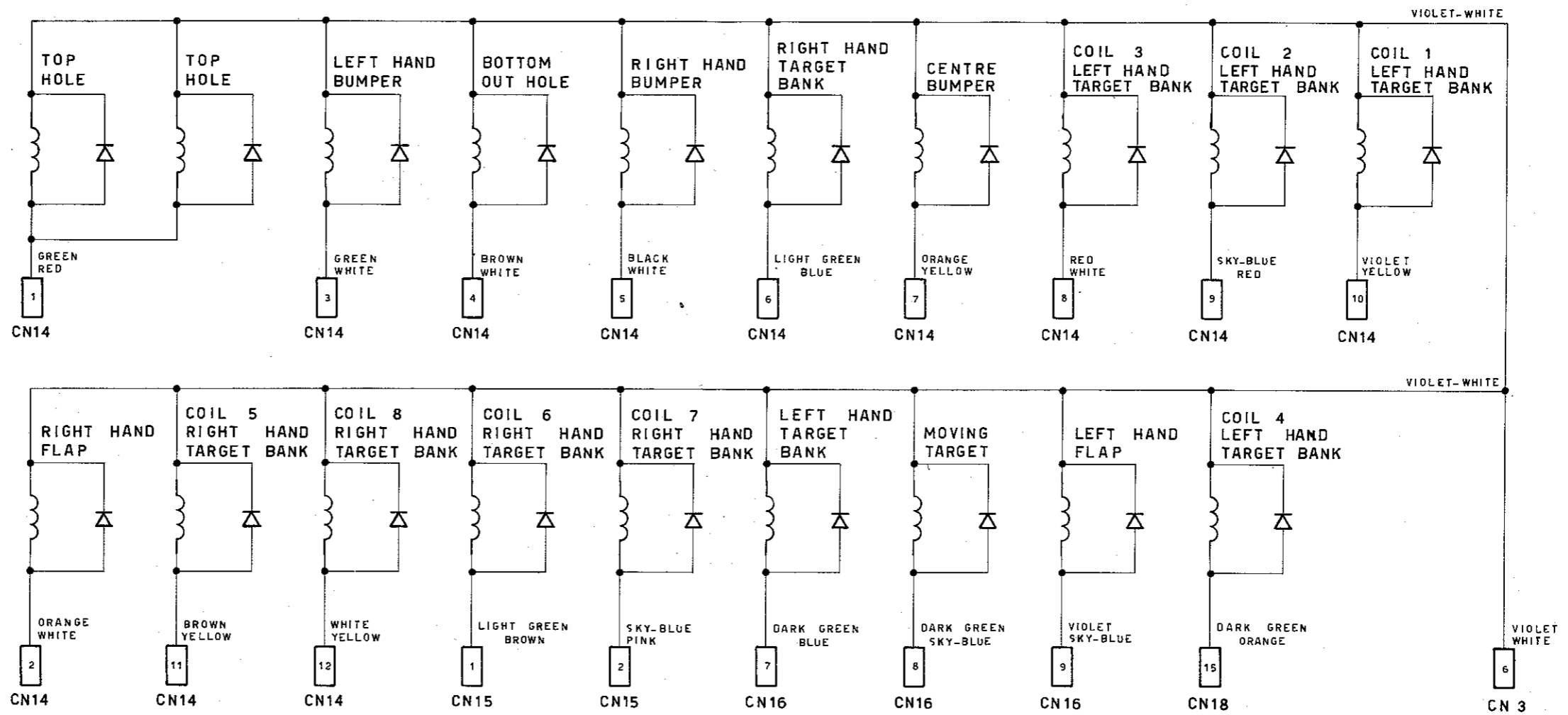
FIRE MOUNTAIN
DIAGRAM For
PLAYFIELD CONTACTS
WIRING



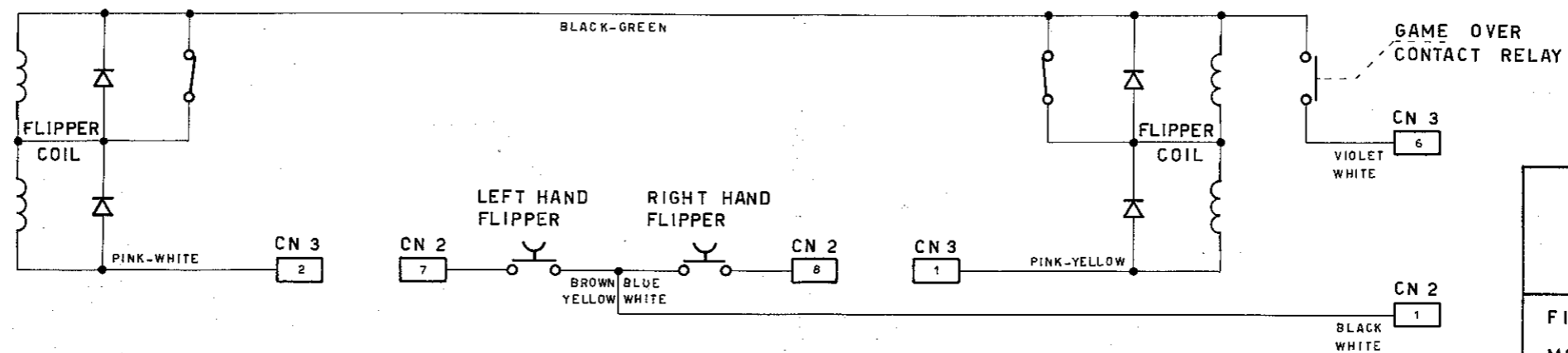
CABINET
COILS



PLAYFIELD
COILS



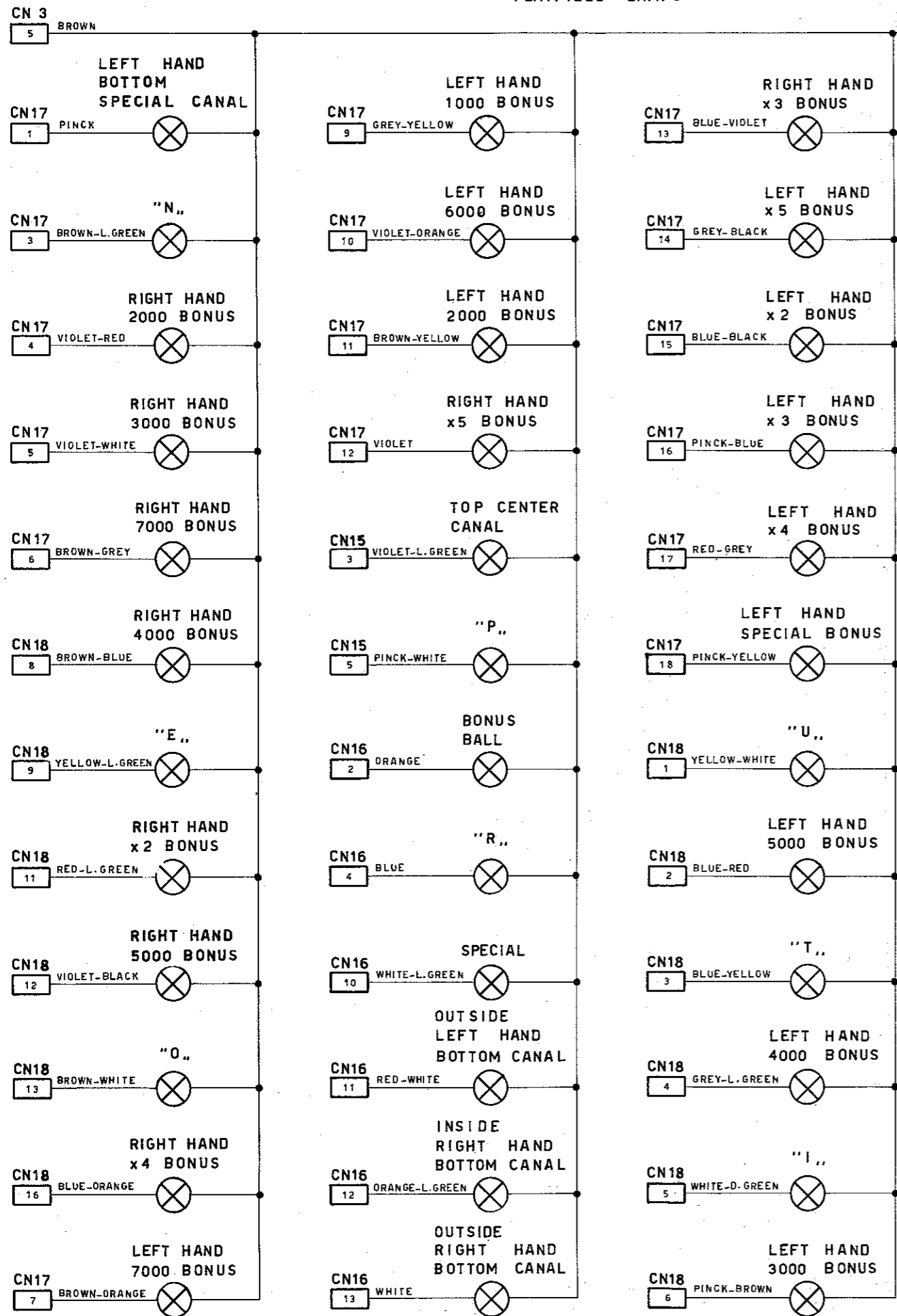
FLIPPERS



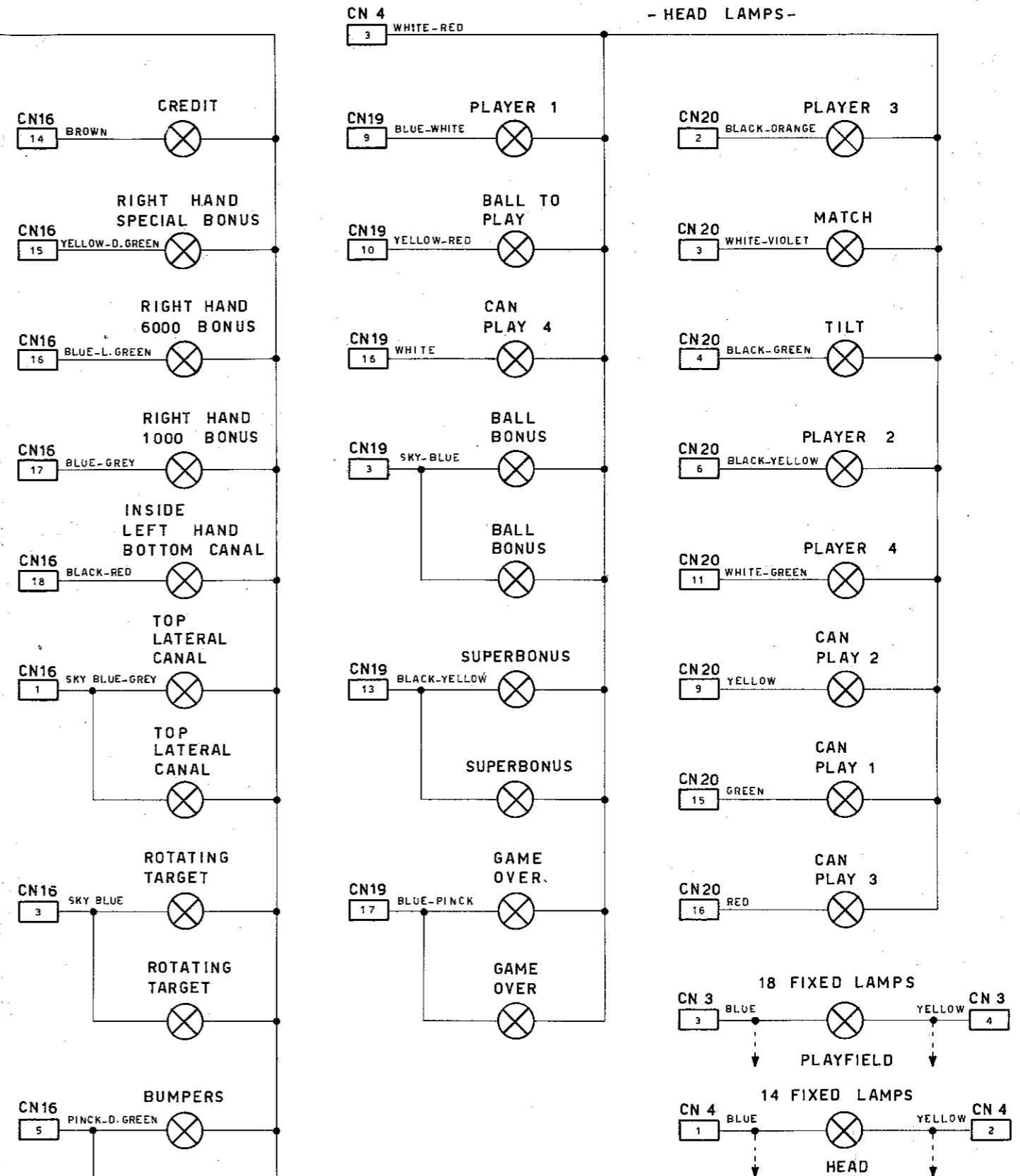
ZACCARIA

FIRE MOUNTAIN ELECTRICAL DIAGRAM for COILS WIRING

- PLAYFIELD LAMPS -



- HEAD LAMPS -



ZACCARIA

FIRE MOUNTAIN ELECTRICAL DIAGRAM for LAMPS WIRING

Original document provided by:

URL: <http://www.tilt.it/>

E-mail: wiz@tilt.it
piero@tilt.it

Scans done by:

URL: <http://www.langaas.org/pinball/>

E-mail: thomas@langaas.org