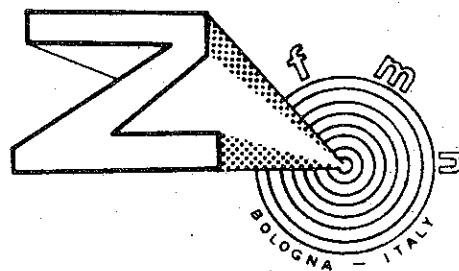
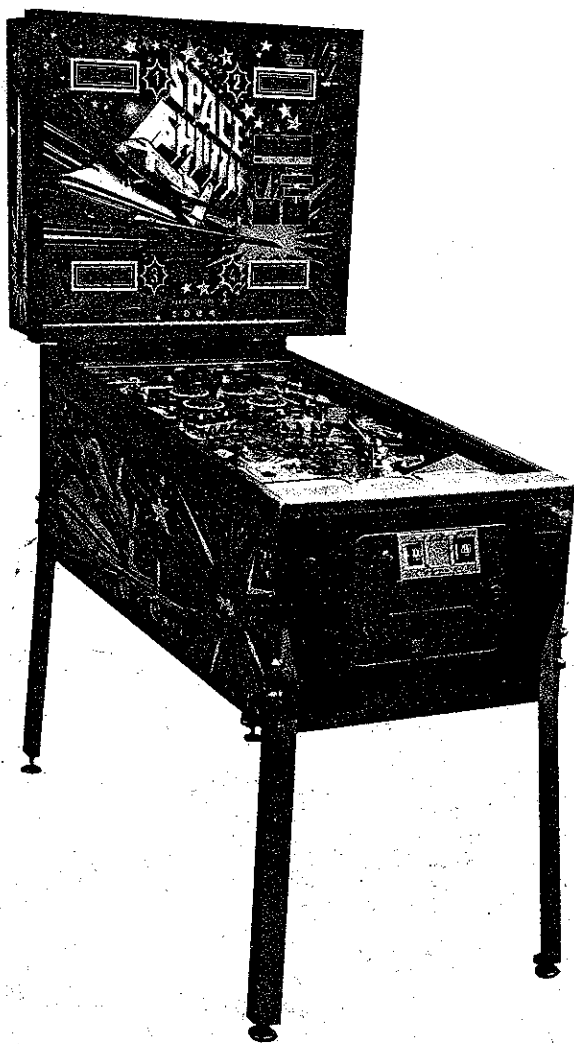


# ELECTRICAL DIAGRAMS

for

## « SPACE SHUTTLE »



**F.LLI ZACCARIA** S.n.c.

*di Zaccaria Marino - Franco - Natale*

**COSTRUZIONI GIOCHI D'ATTRAZIONE**

Via Armaroli, 15 - 40012 CALDERARA DI RENO (Bo) Italy  
Telefono (051) 72 23 81 - 82 con ricerca automatica  
Telex 213683 ZACC. I.

**Original document provided by:**

**URL:** <http://www.tilt.it/>

**E-mail:** [wiz@tilt.it](mailto:wiz@tilt.it)  
[piero@tilt.it](mailto:piero@tilt.it)

**Scans done by:**

**URL:** <http://www.langaas.org/pinball/>

**E-mail:** [thomas@langaas.org](mailto:thomas@langaas.org)

## LIST OF ILLUSTRATIONS

### Assembly drawing

Layout for C.P.U. board

Diagram for C.P.U. board

Layout for FLIPPER PROGRAMMING board

Diagram for FLIPPER PROGRAMMING board

Layout for INTERFACE board

Diagram for INTERFACE board

Layout for POWER board

Diagram for POWER board

Layout for DISPLAY board

Diagram for DISPLAY board

Layout for SOUND board

Diagram for SOUND board

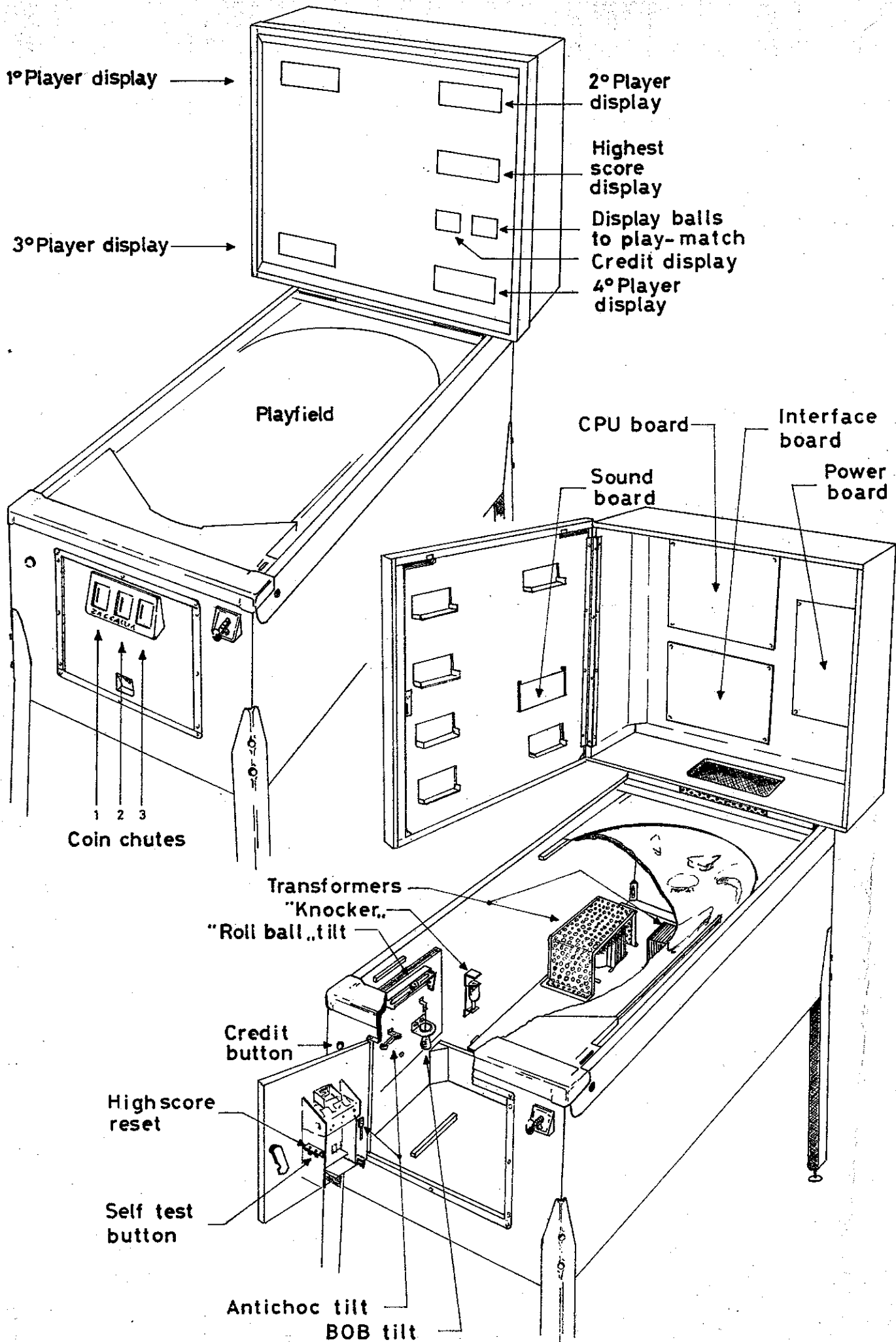
Diagram for PLAYFIELD CONTACTS \_ ( wiring )

Diagram for CABINET CONTACTS \_\_ ( wiring )

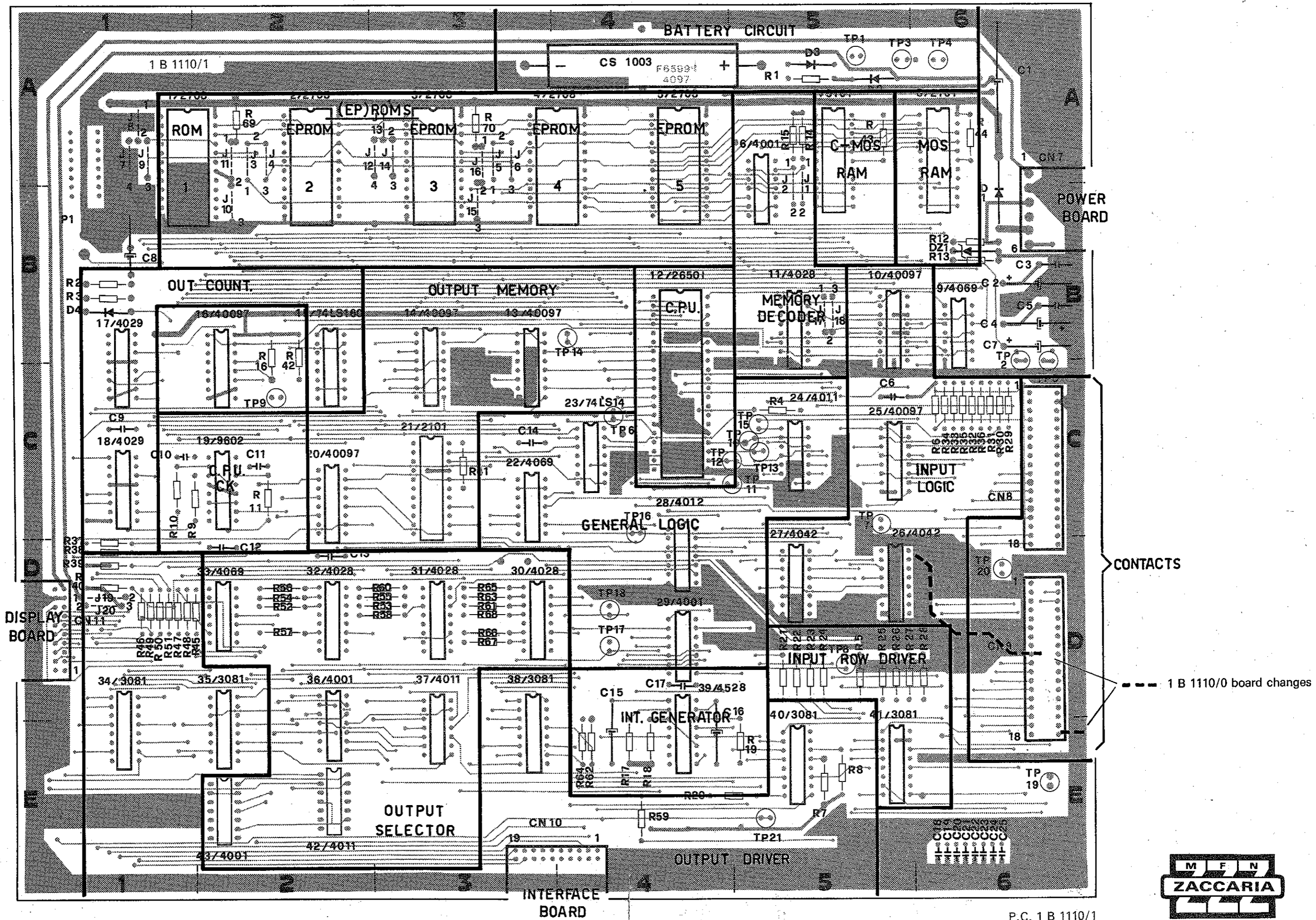
Diagram for FRONT DOOR \_\_\_\_\_ ( wiring )

Diagram for COILS \_\_\_\_\_ ( wiring )

Diagram for LAMPS \_\_\_\_\_ ( wiring )

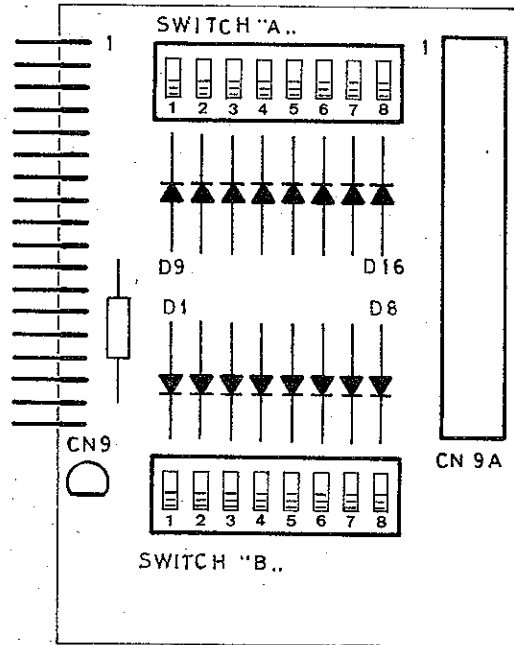


# C.P.U. board



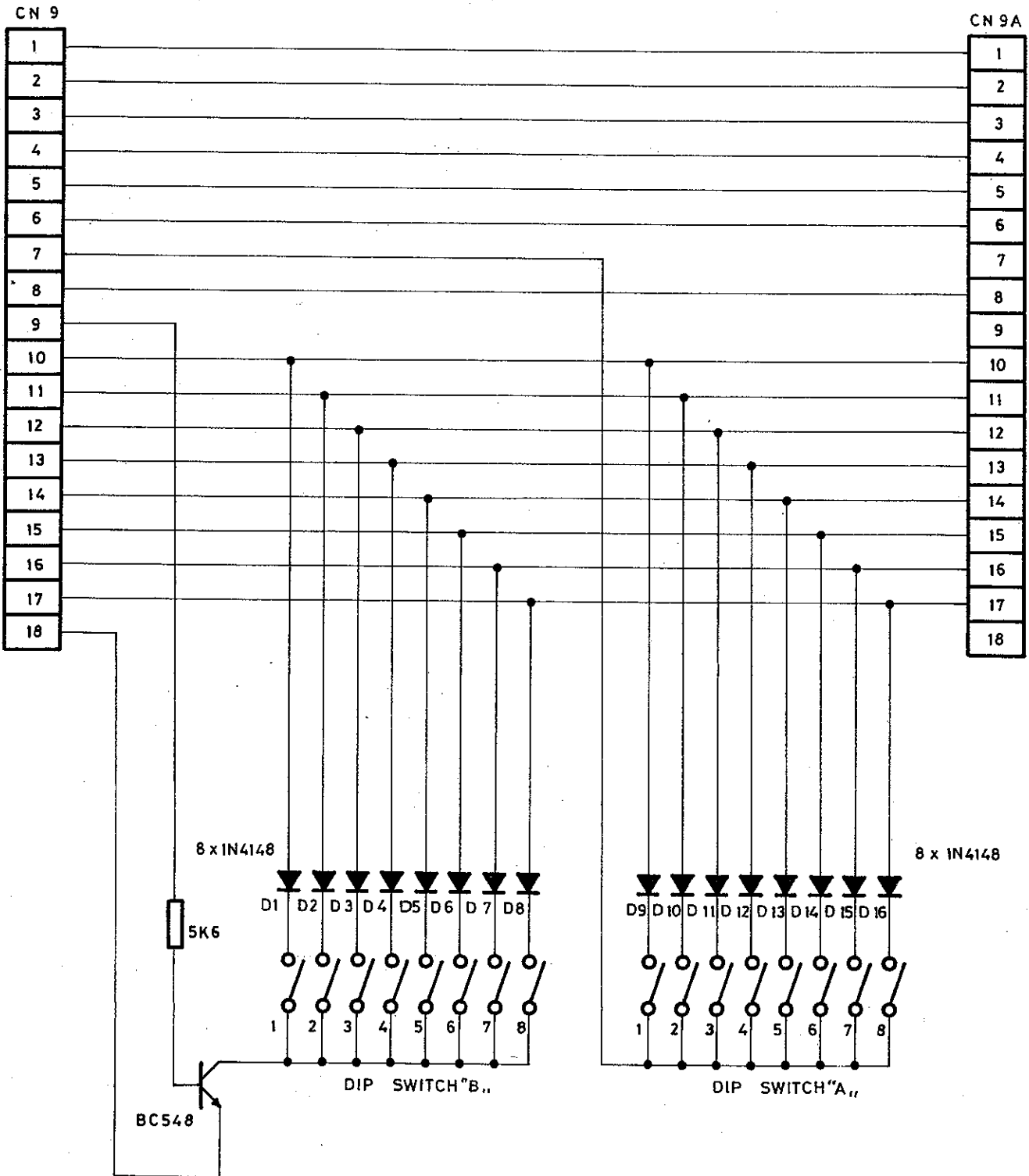


# FLIPPER PROGRAMMING board



P.C. 1 B 1149

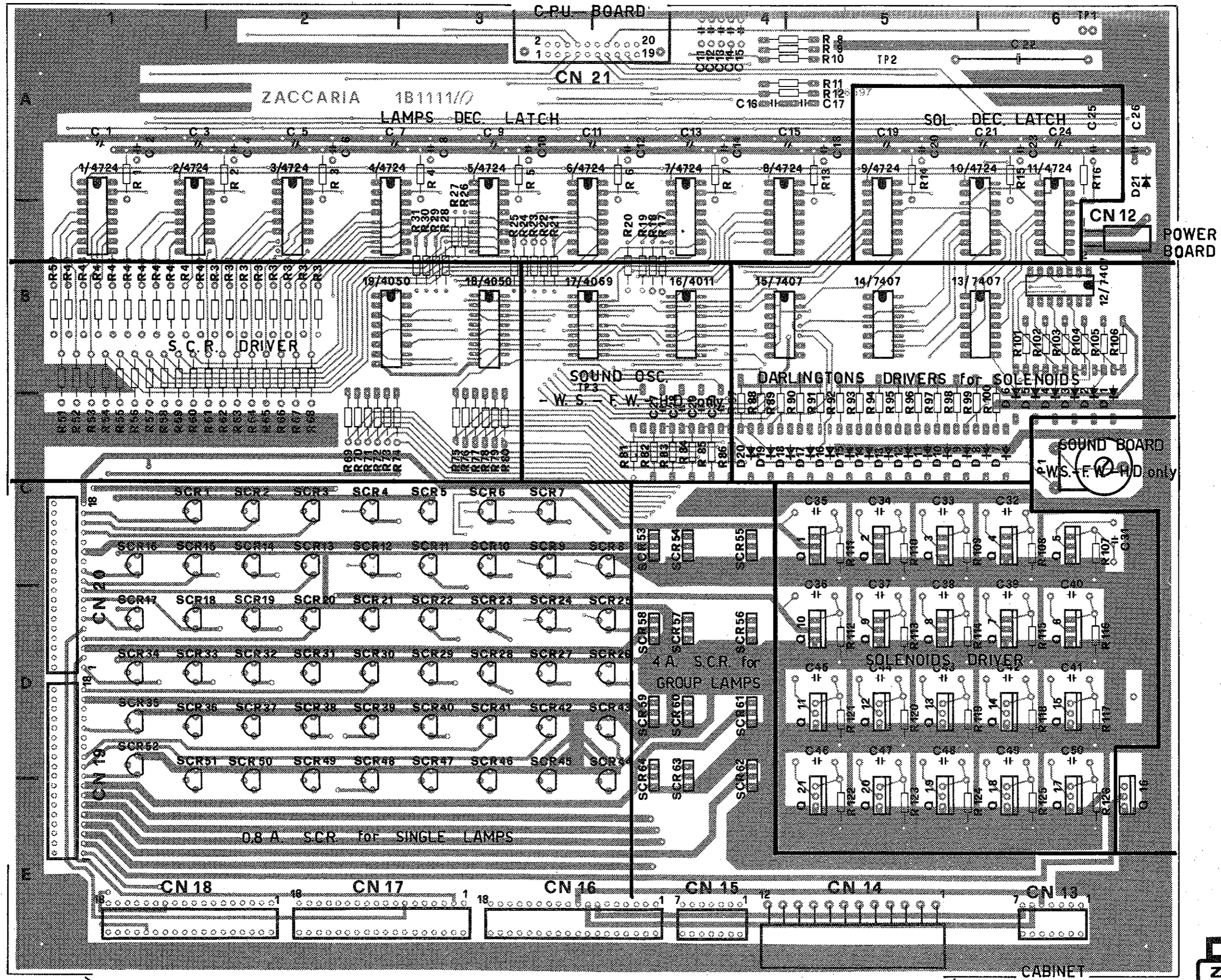
# FLIPPER PROGRAMMING board



<b>ZACCARIA</b>				
PART NAME			PART NO.	
FLIPPER PROGRAMMING (WITH DIP SWITCH) PC.1B 1149			1B 1349	
DWN.	DATE	REV.	DATE REV.	SHEET
	10/9/80			
NOTES: UNLESS OTHERWISE SPECIFIED				
1) ALL RESISTORS VALUES IN $\Omega$ .....				
2) ALL CAPACITORS VALUES IN .....				



# INTERFACE board



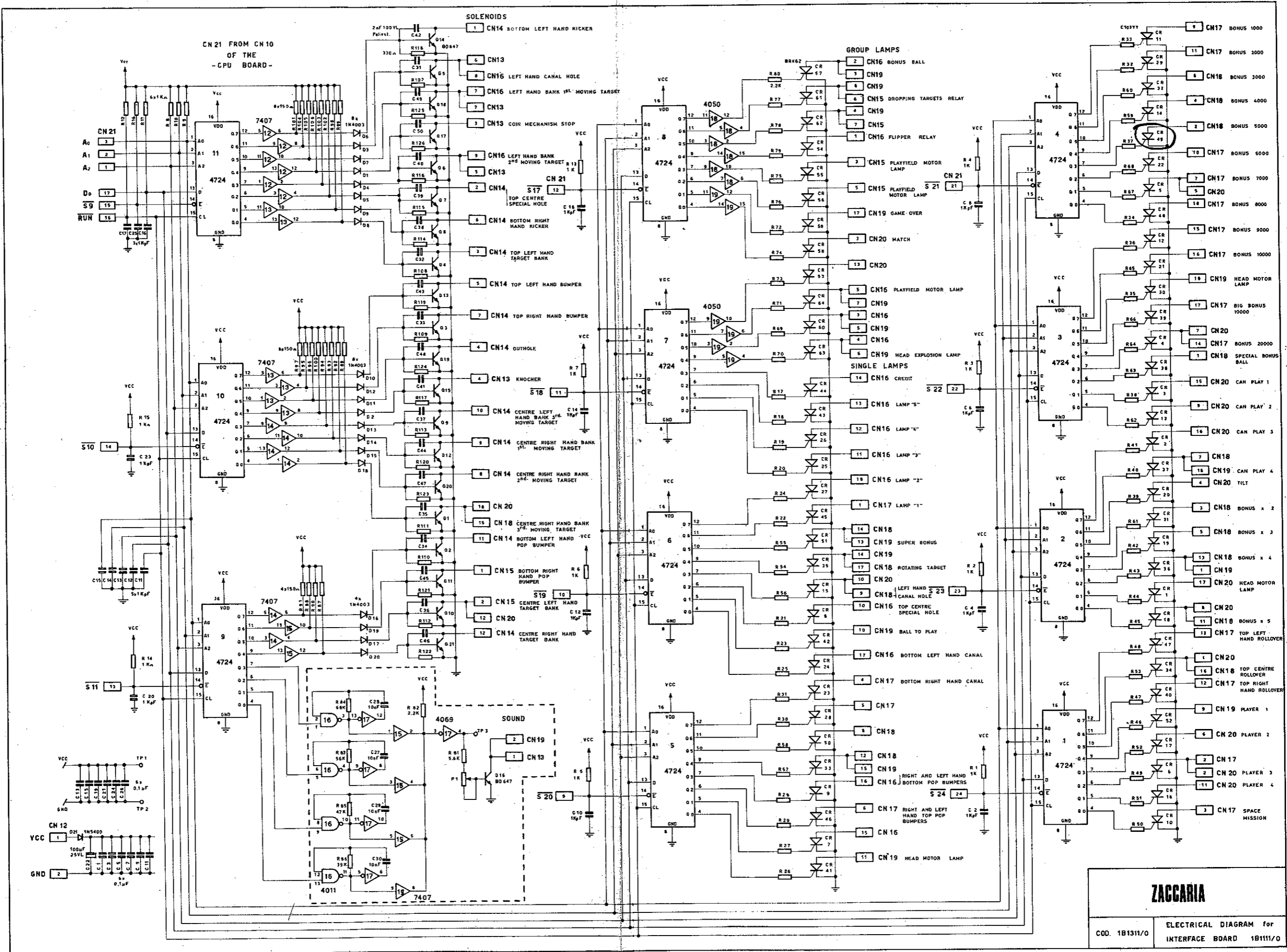
HEAT

PLAYFIELD

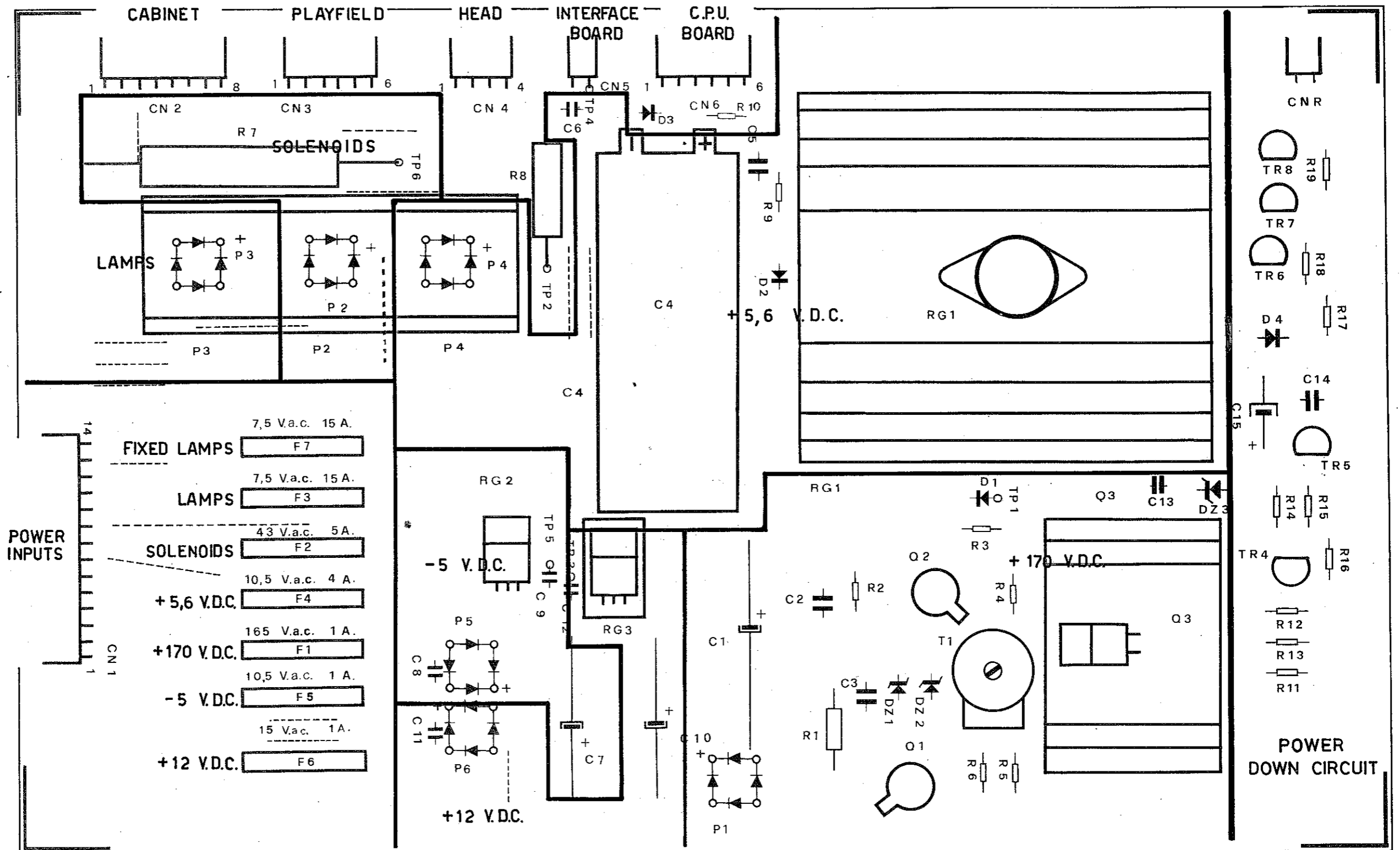
P.C. 1 B 1111/0



# INTERFACE board



# POWER board

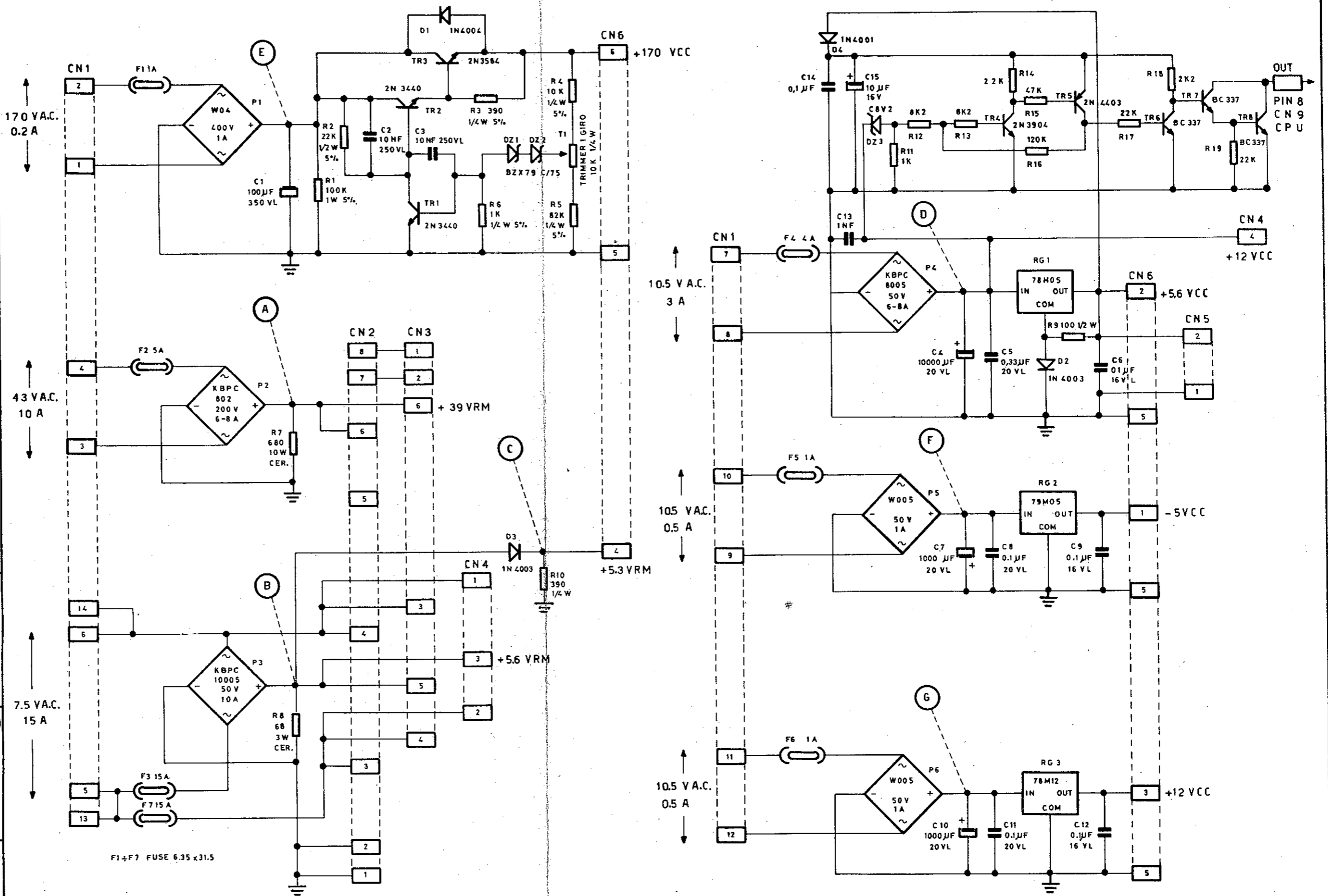
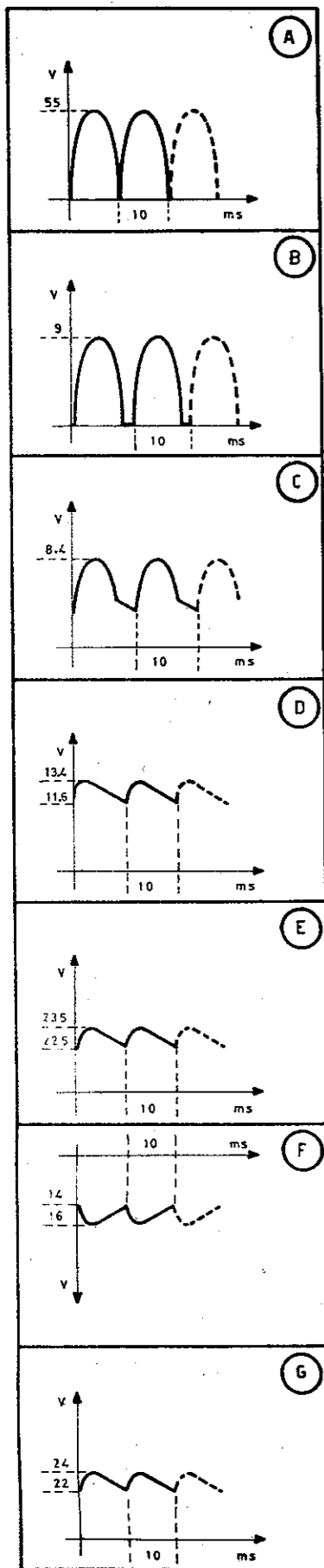


P.C. 1 B 1109/4



# POWER board

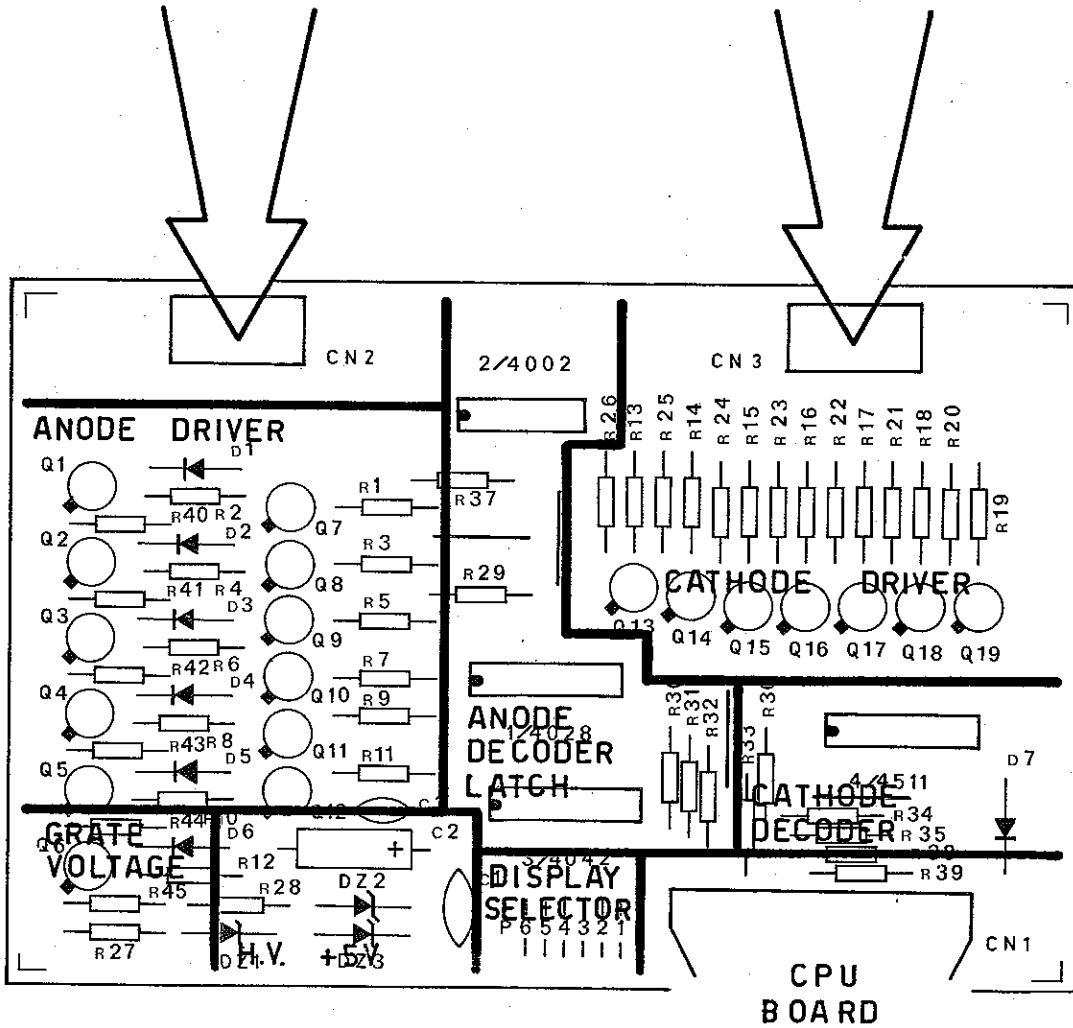
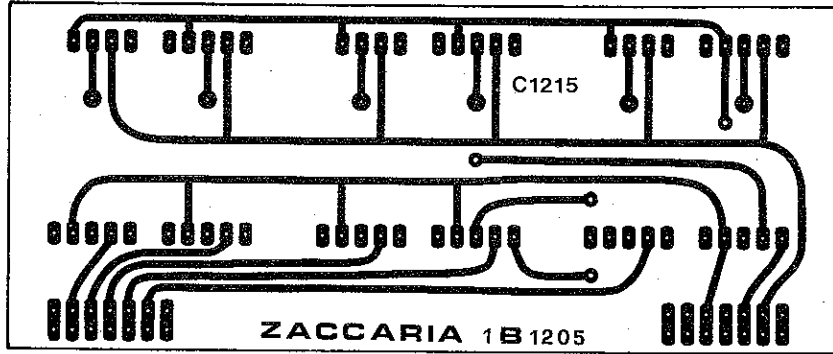
OSCILLOSCOPE  
DEFINABLE CURVES



**ZACCARIA**

COD 1B1309/4 ELECTRICAL DIAGRAM for POWER BOARD 1B1109/4

# DISPLAY boards



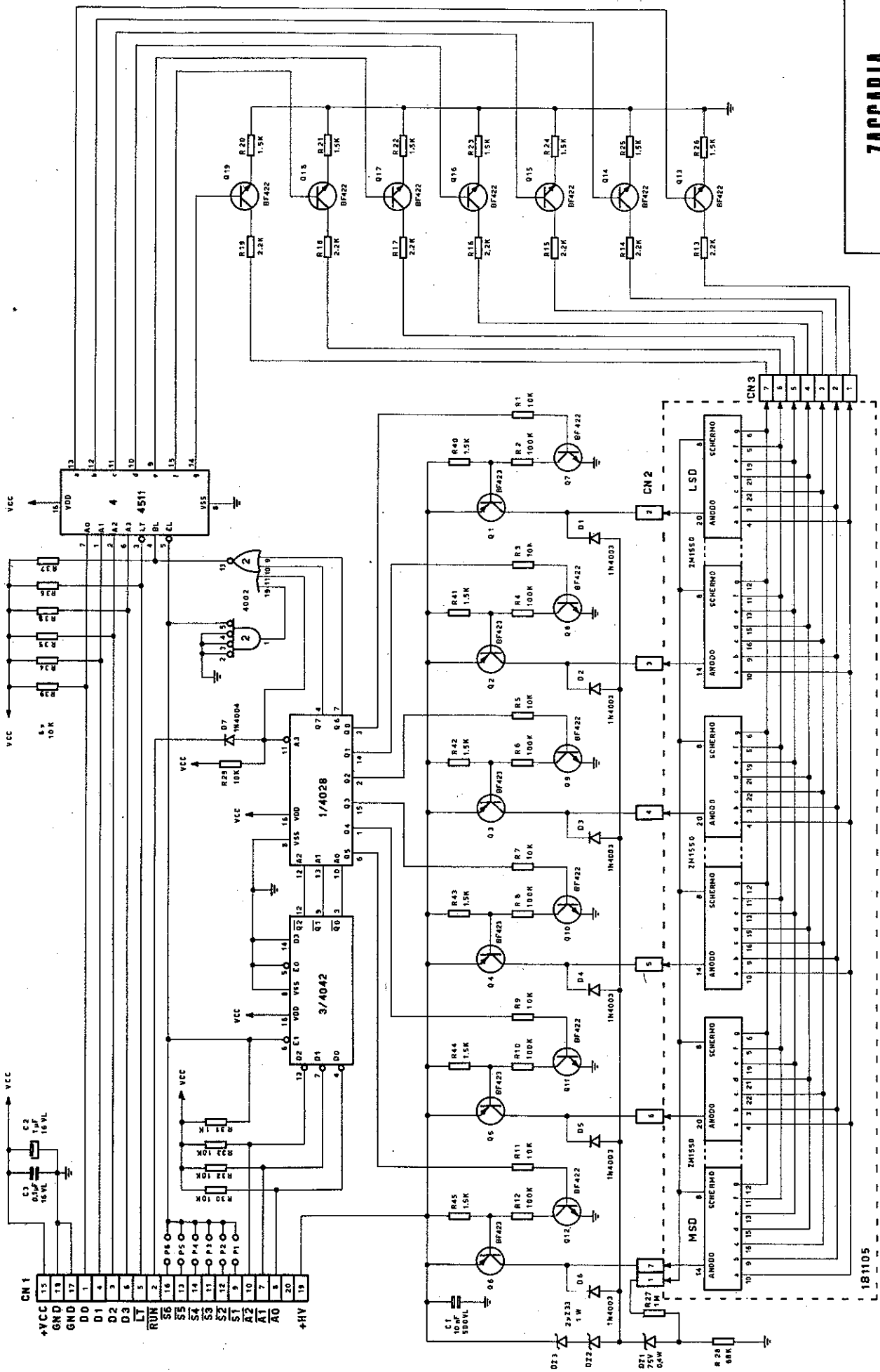
P.C. 1 B 1104/0



# DISPLAY boards

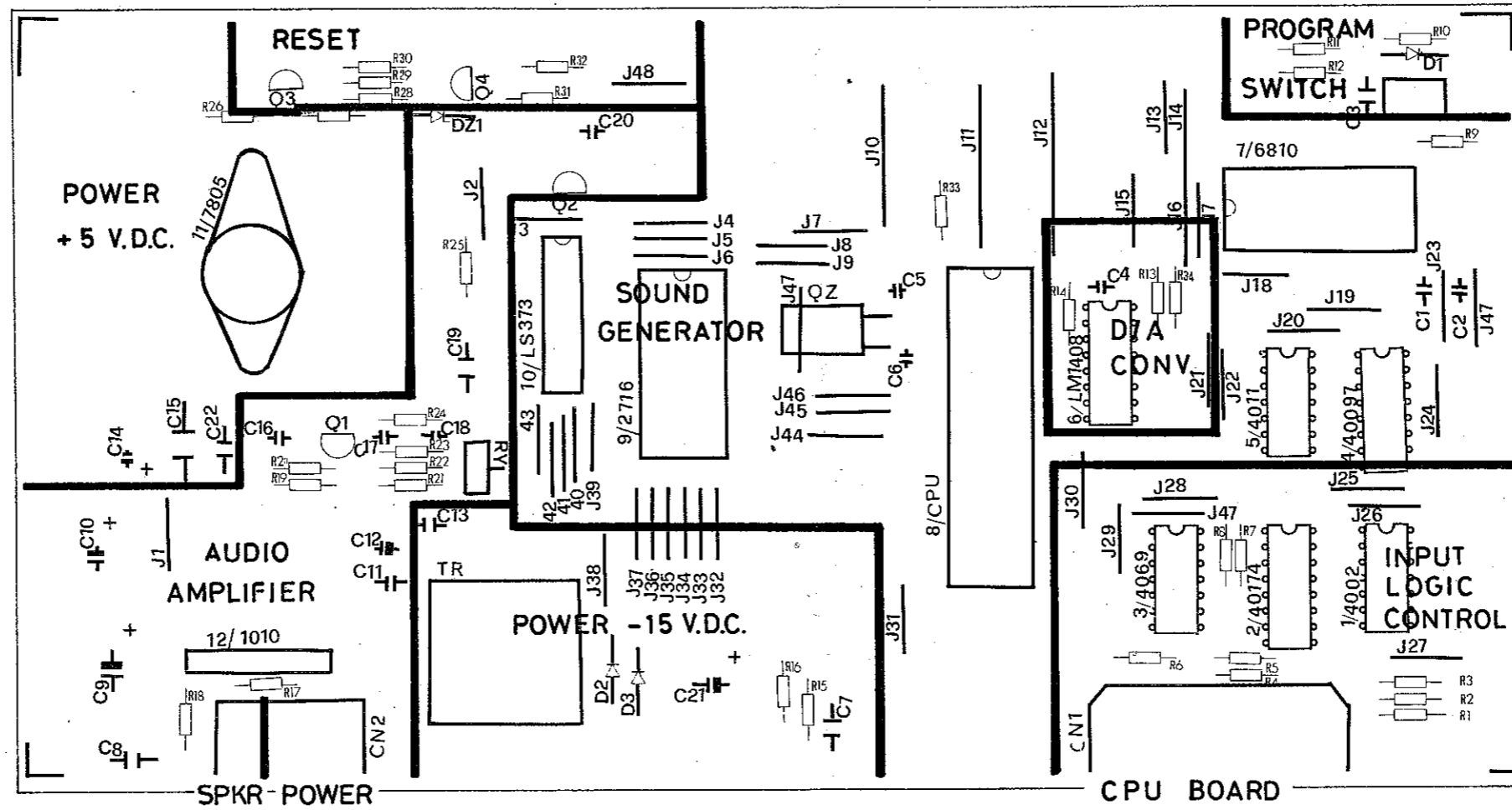
**ZACCARIA**

COD. 1B1304/0 ELECTRICAL DIAGRAM for  
1B1104/0 DRIVER DISPLAY BOARD



1B1105

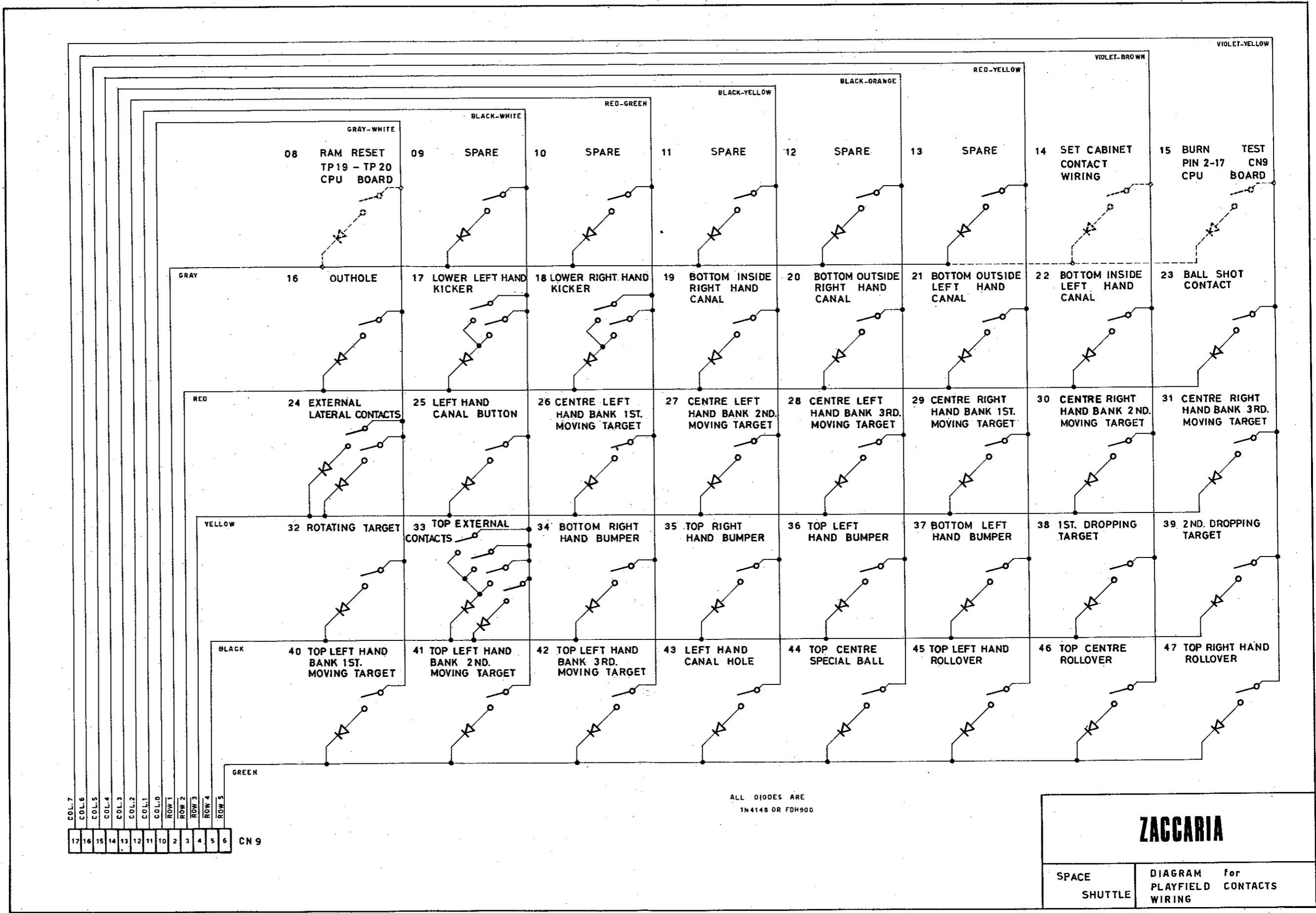
# SOUND board

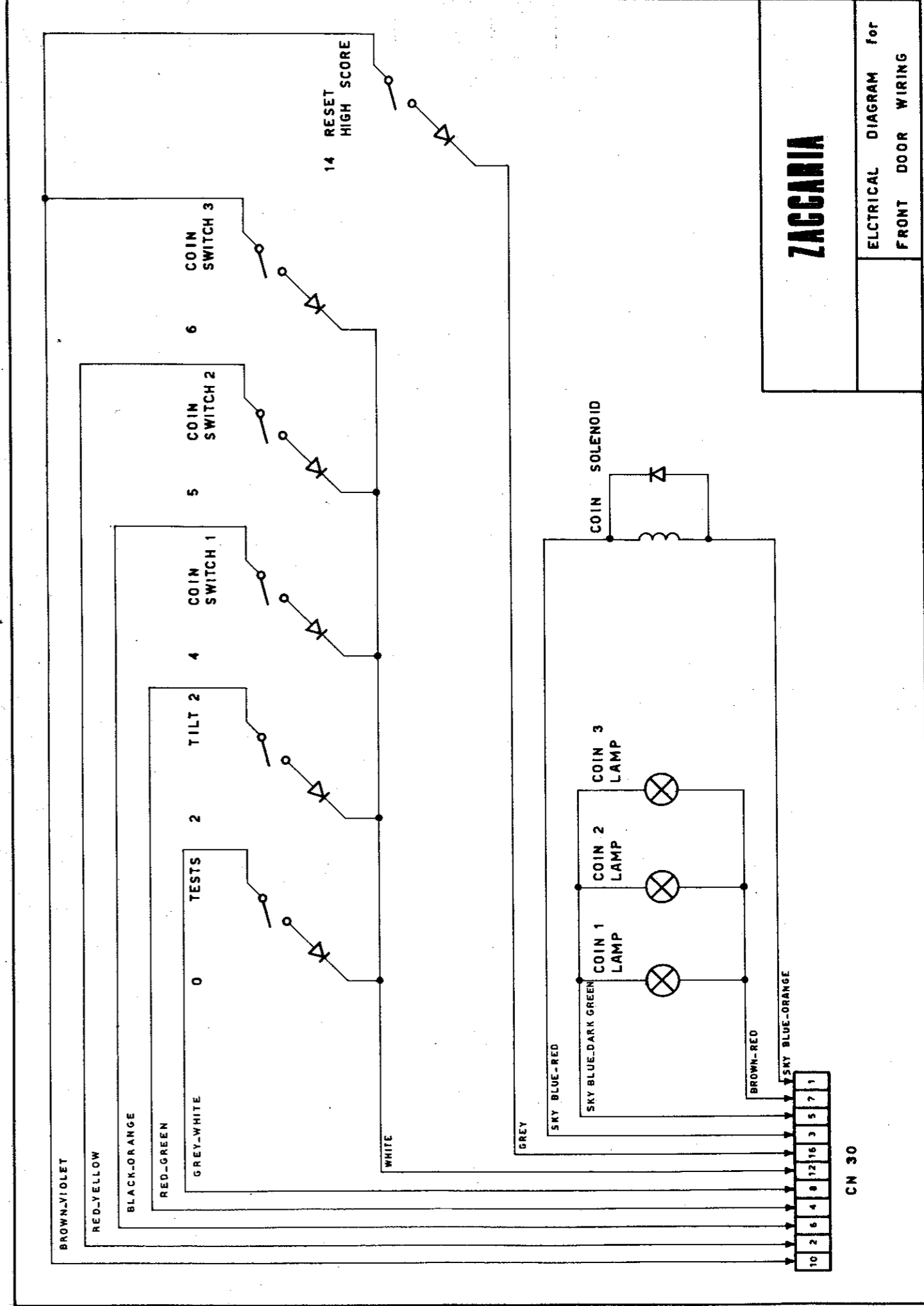
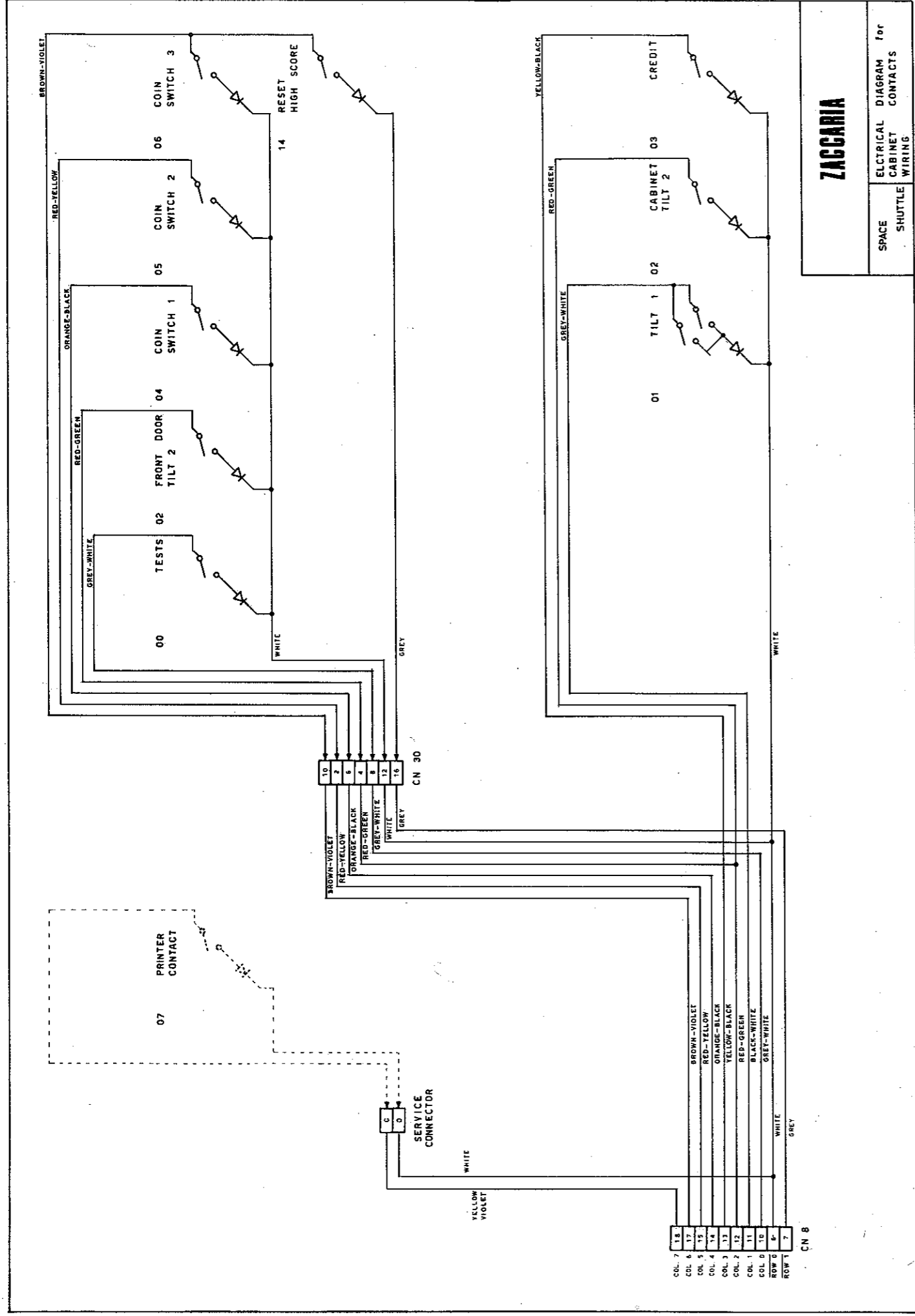


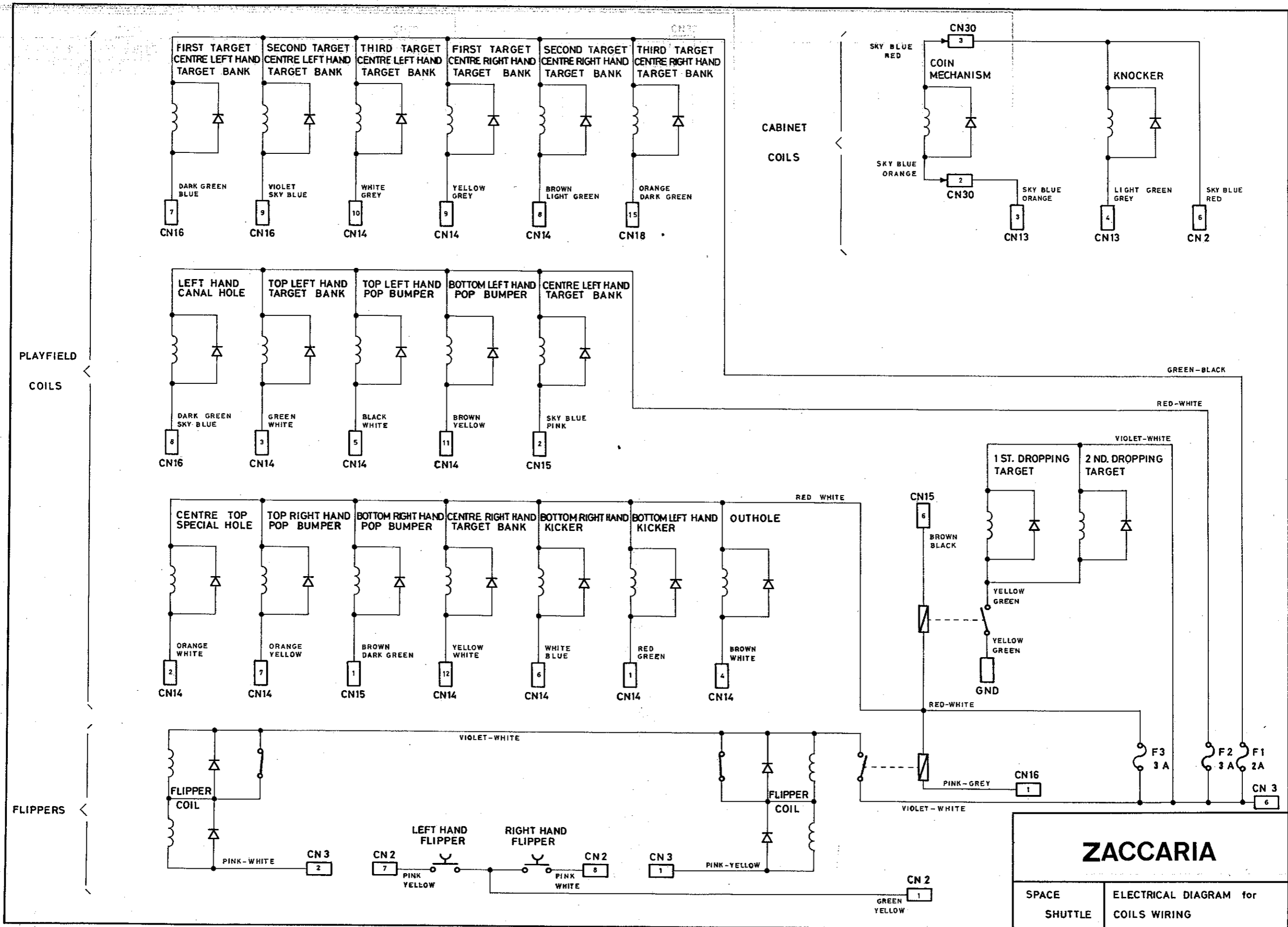
P.C. 1-B 1146



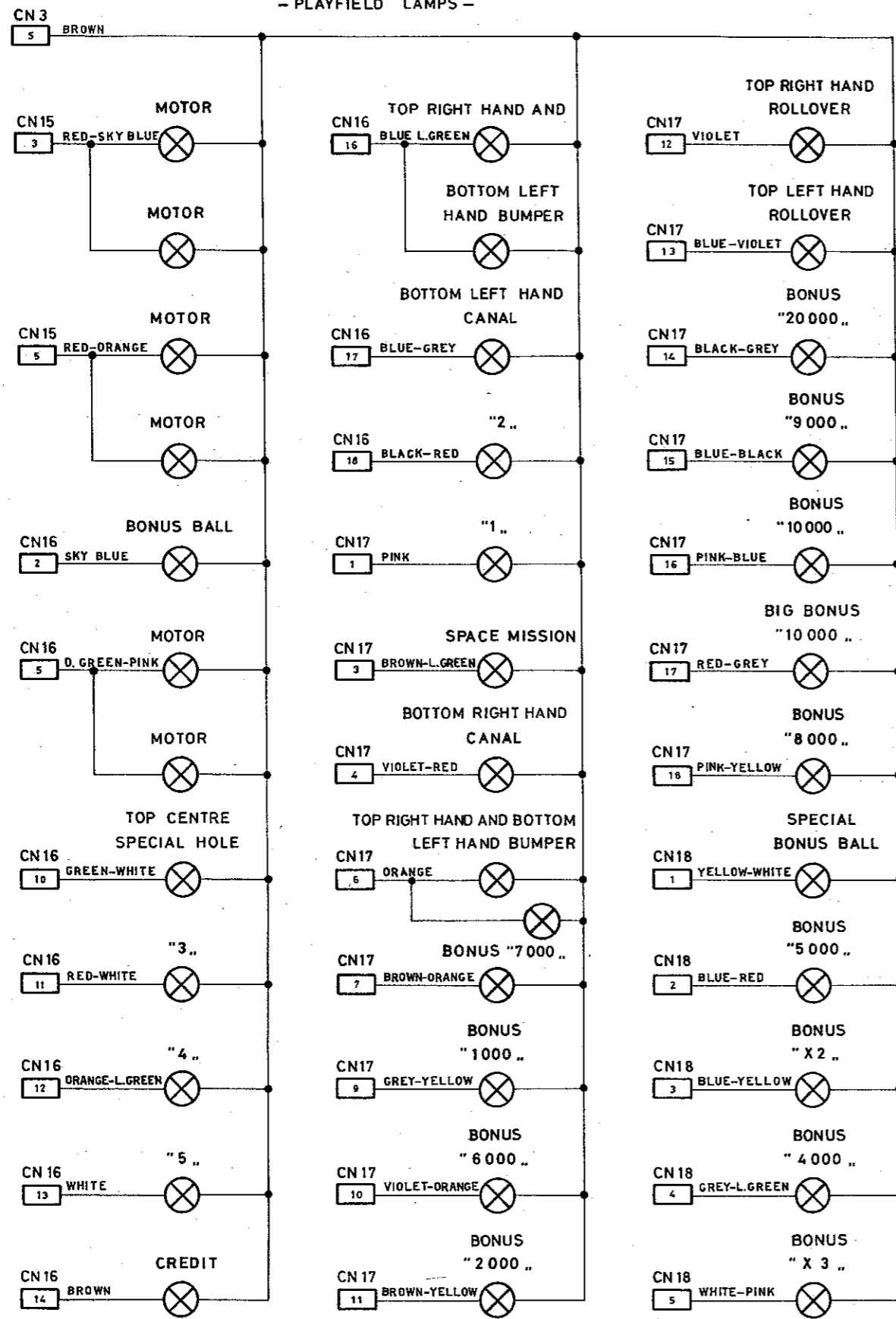




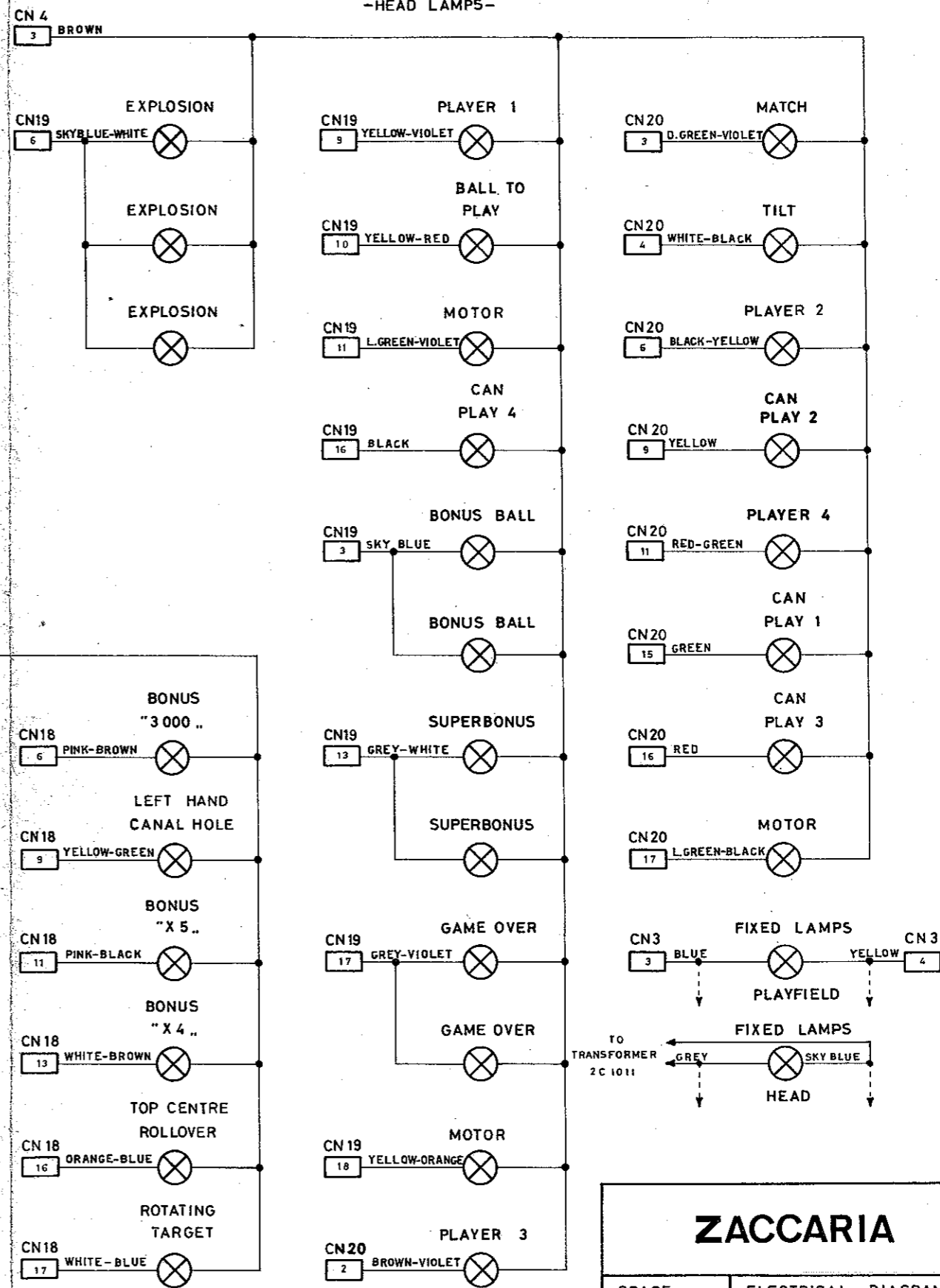




- PLAYFIELD LAMPS -



- HEAD LAMPS -



**ZACCARIA**

SPACE SHUTTLE ELECTRICAL DIAGRAM for LAMPS WIRING