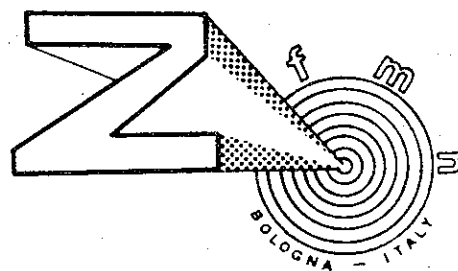


# ELECTRICAL DIAGRAMS

for

# " STAR GOD "



**F.LLI ZACCARIA** S.n.c.

di Zaccaria Marino - Franco - Natale

COSTRUZIONI GIOCHI D'ATTRAZIONE

Via Armaroli, 15 - 40012 CALDERARA DI RENO (Bo) Italy  
Telefono (051) 72.23.81 / 82 con ricerca automatica  
Telex 510524 INTERCON

**Original document provided by:**

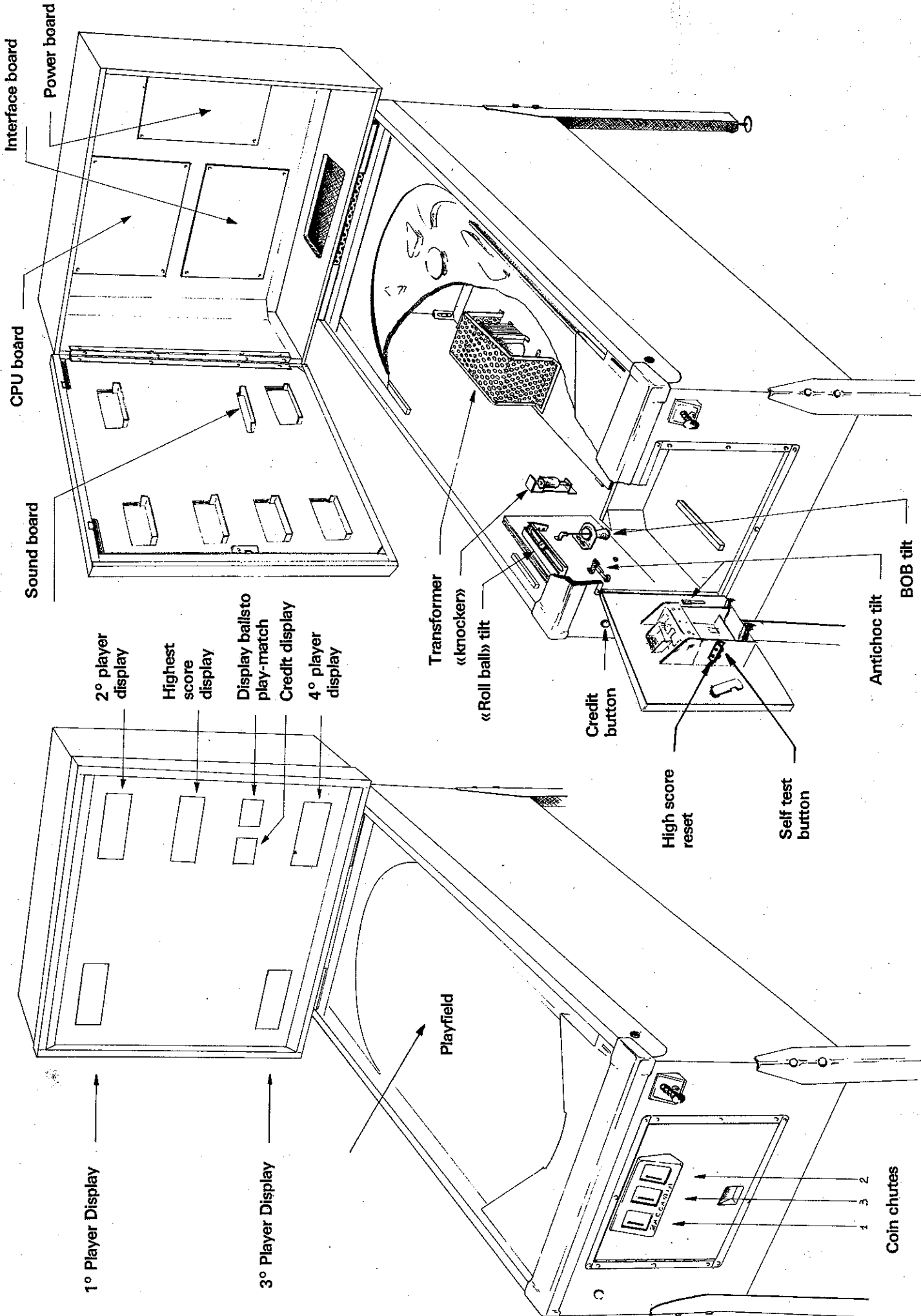
**URL:** <http://www.tilt.it/>

**E-mail:** [wiz@tilt.it](mailto:wiz@tilt.it)  
[piero@tilt.it](mailto:piero@tilt.it)

**Scans done by:**

**URL:** <http://www.langaas.org/pinball/>

**E-mail:** [thomas@langaas.org](mailto:thomas@langaas.org)



Interface board

Power board

CPU board

Sound board

2° player display

Highest score display

Display ballisto play-match

Credit display

4° player display

Transformer «knocker»

«Roll ball» tilt

Credit button

High score reset

Self test button

Antichoc tilt

BOB tilt

1° Player Display

3° Player Display

Playfield

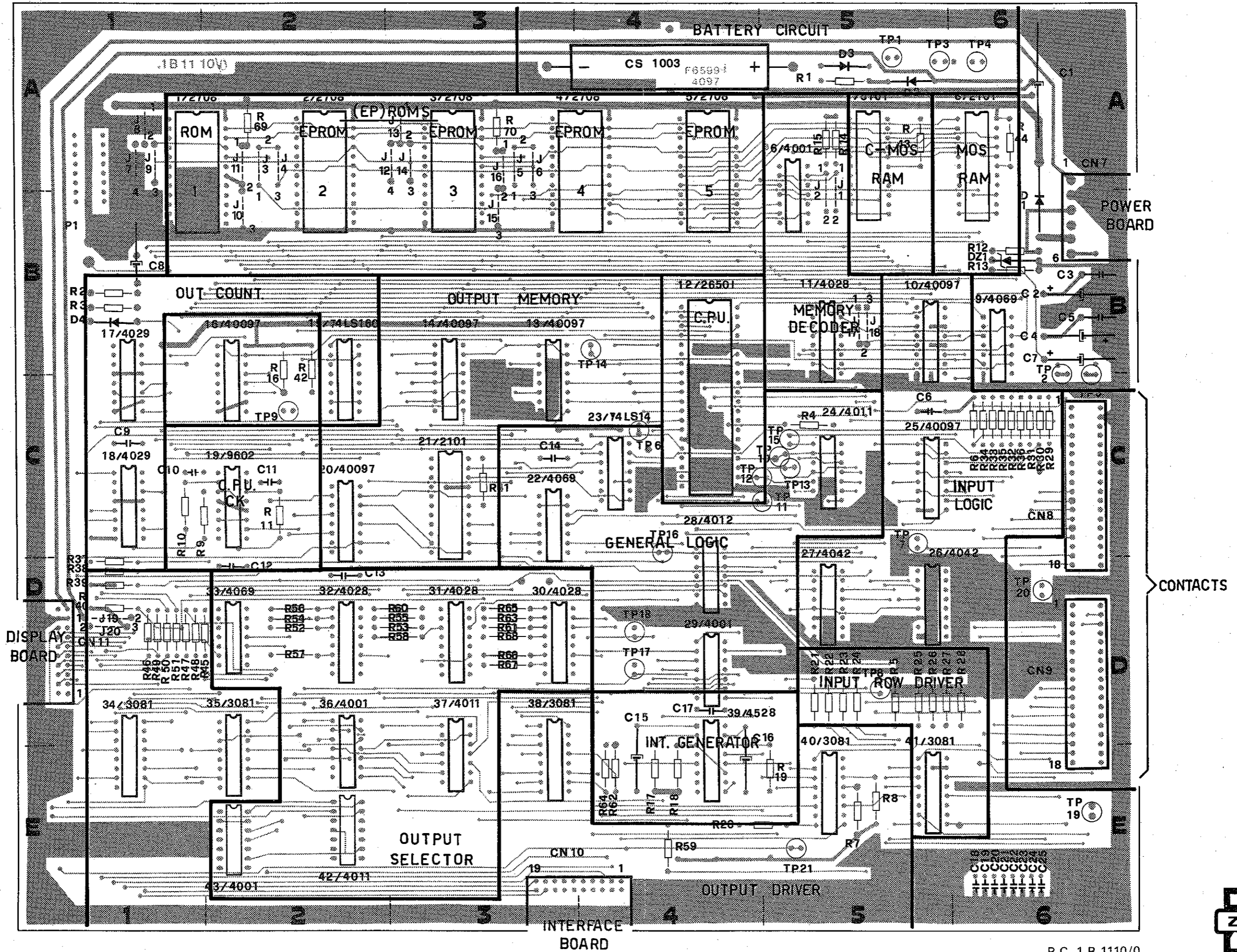
Coin chutes

1

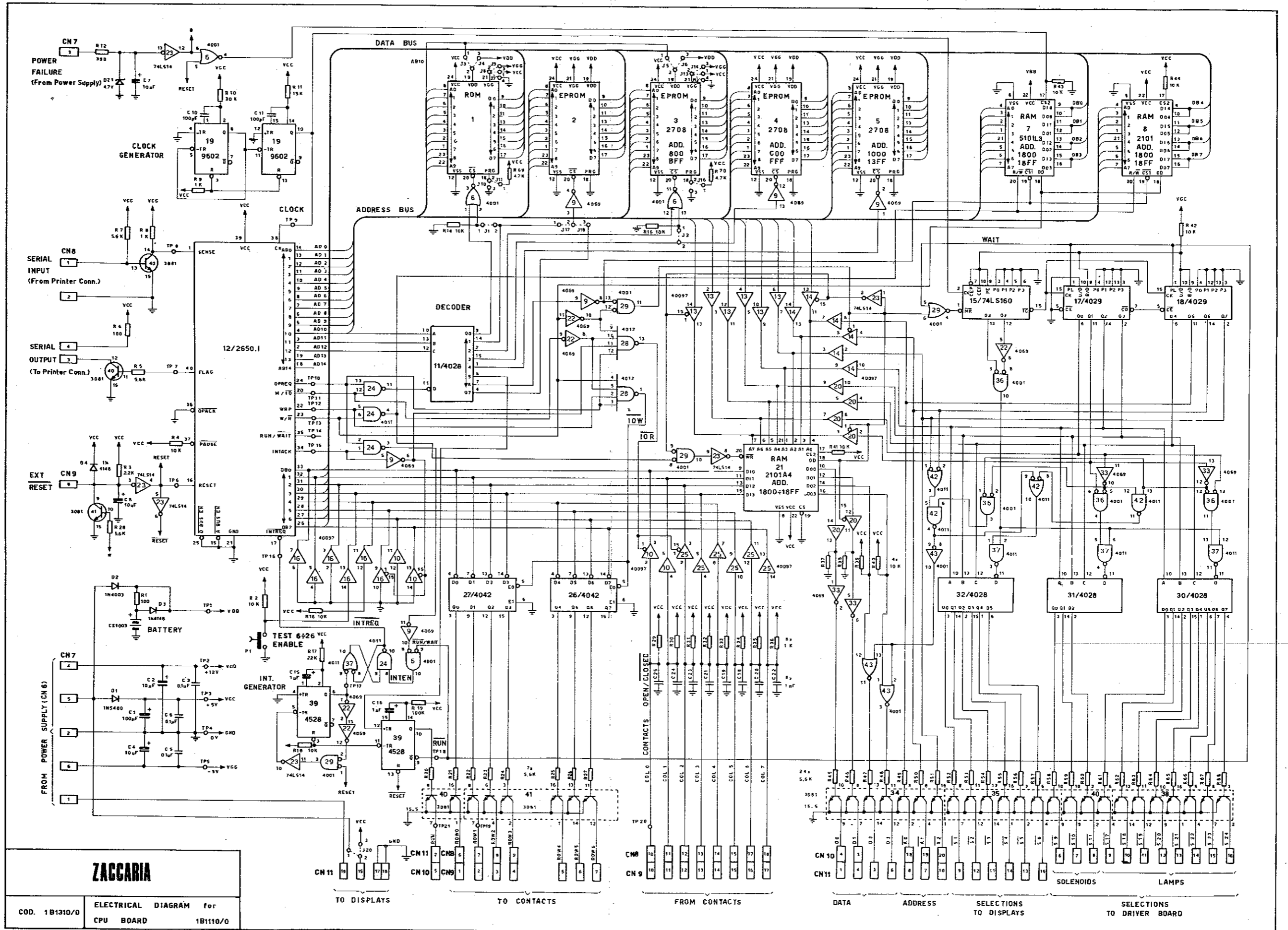
2

3

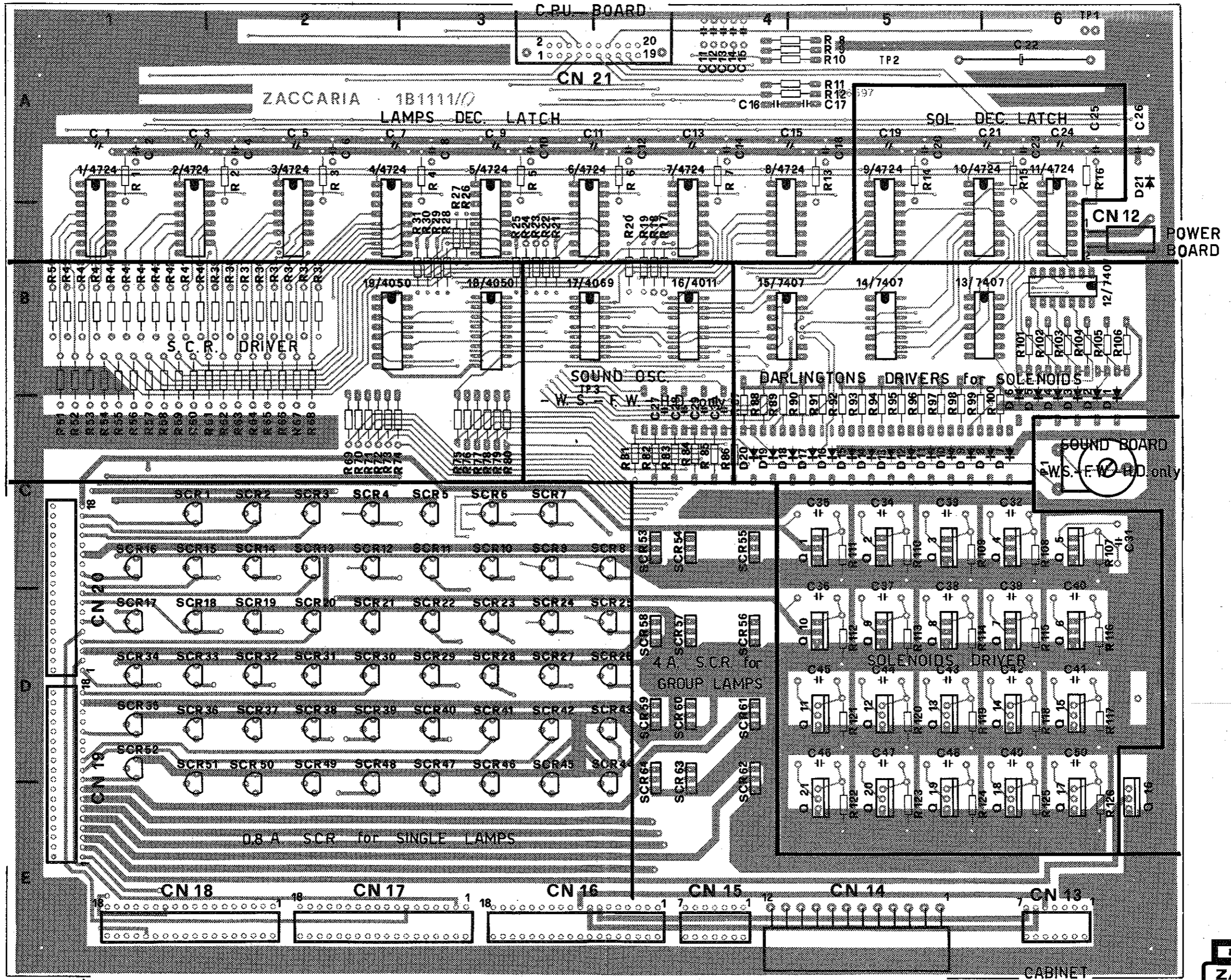
# C.P.U. board



# C. P. U. board



# INTERFACE board

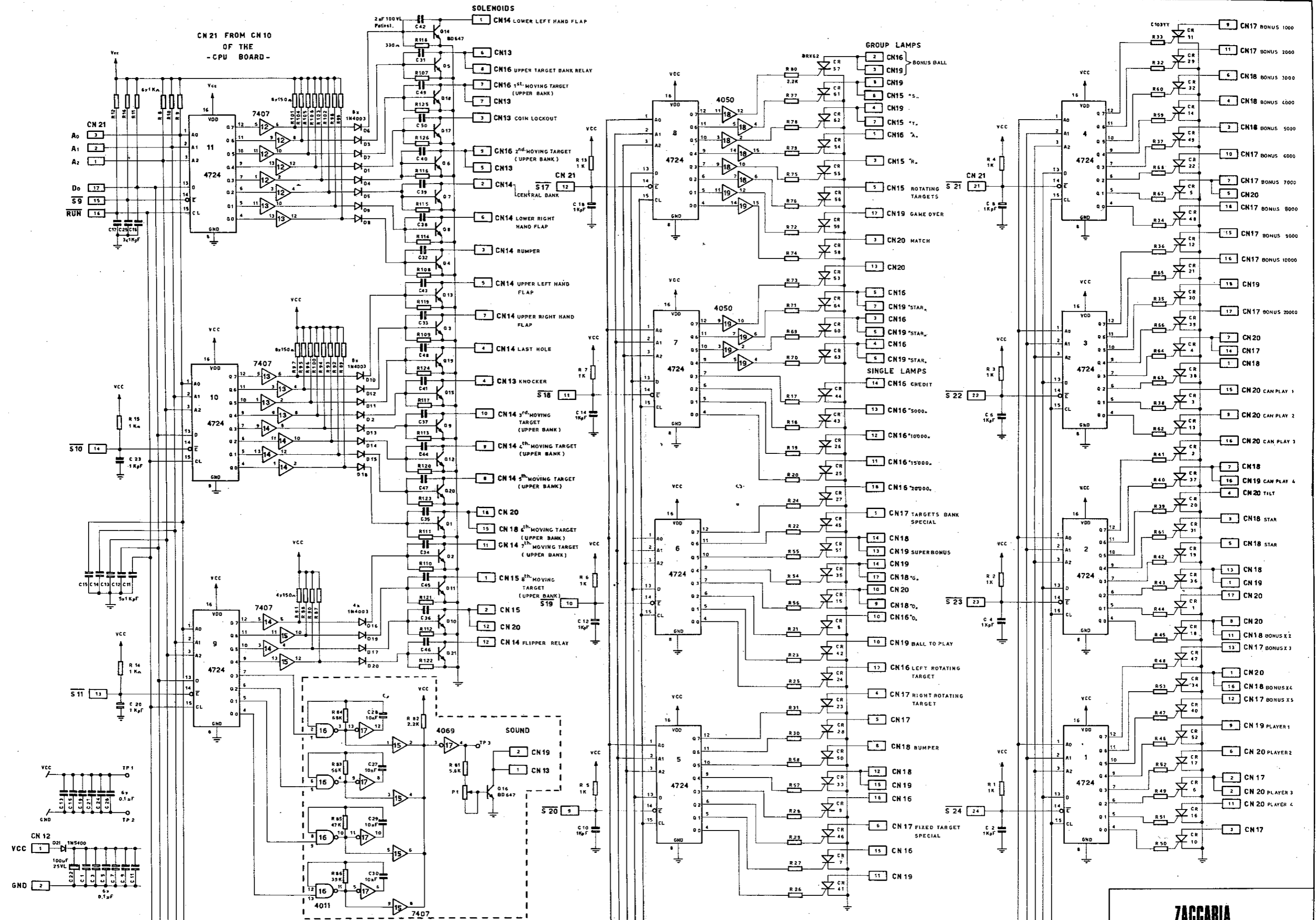


PLAYFIELD

P.C. 1 B 1111/0



# INTERFACE board

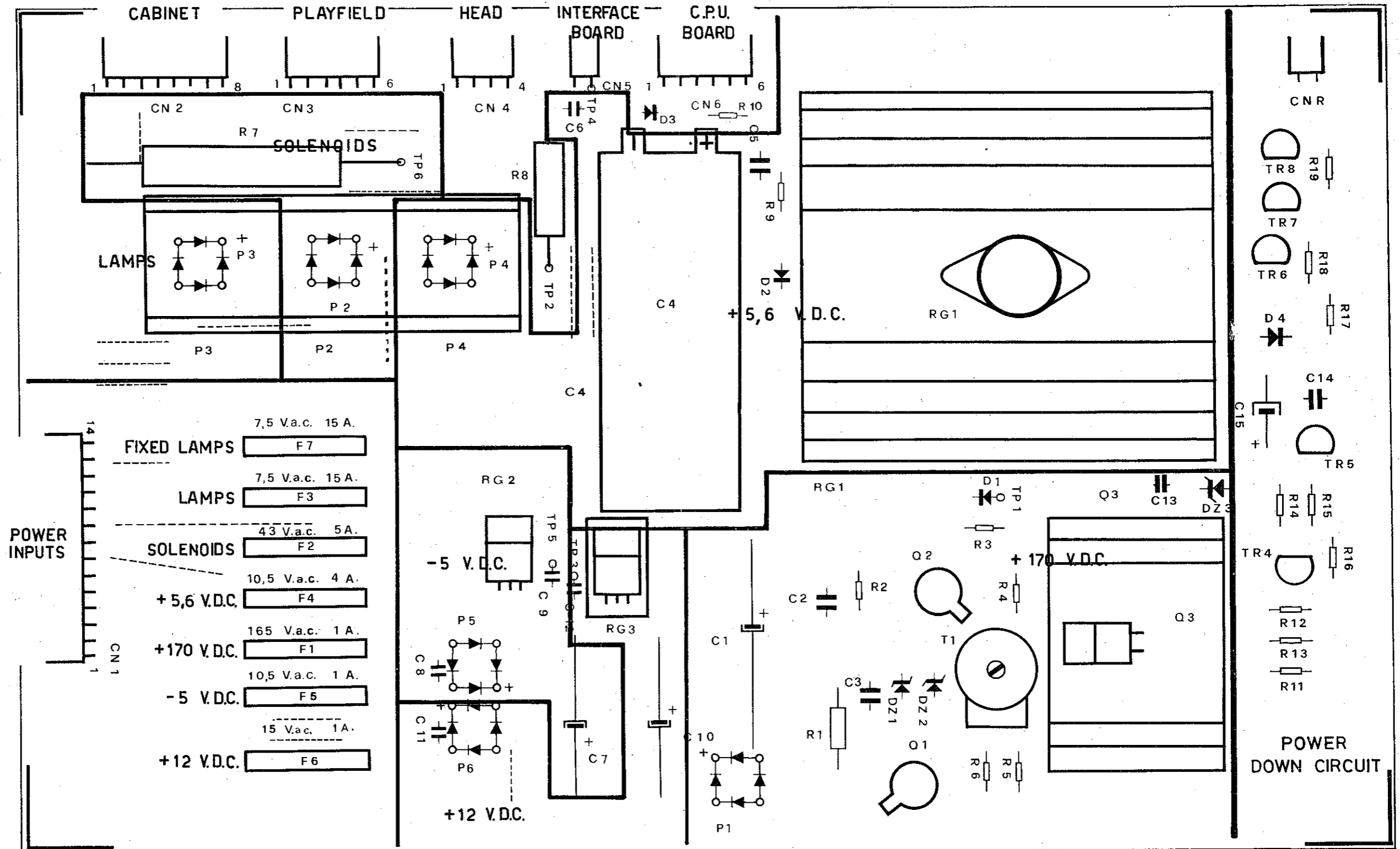


**ZACCARIA**

COD. 181311/0 ELECTRICAL DIAGRAM for  
INTERFACE BOARD 181111/0

STAR 60D

# POWER board



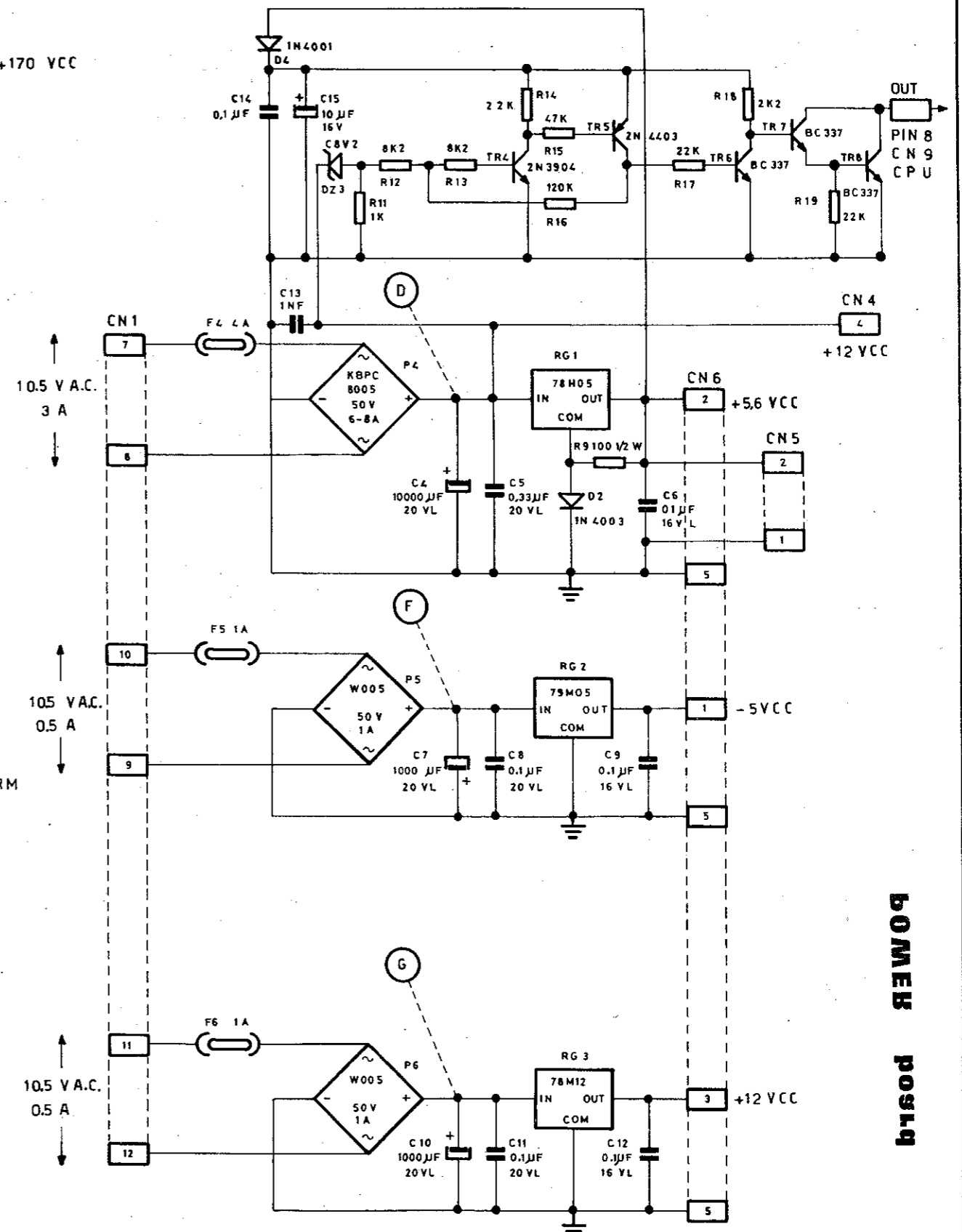
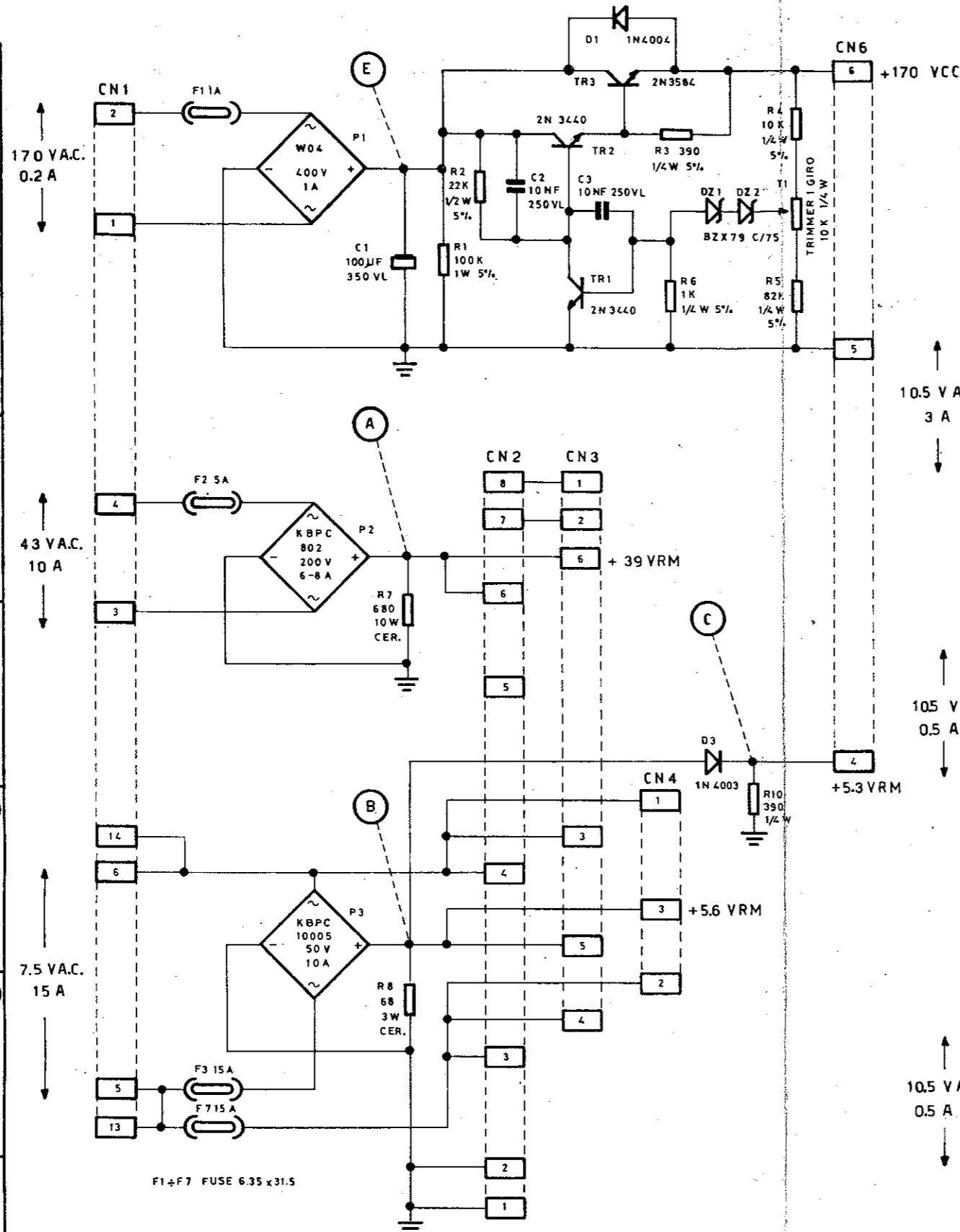
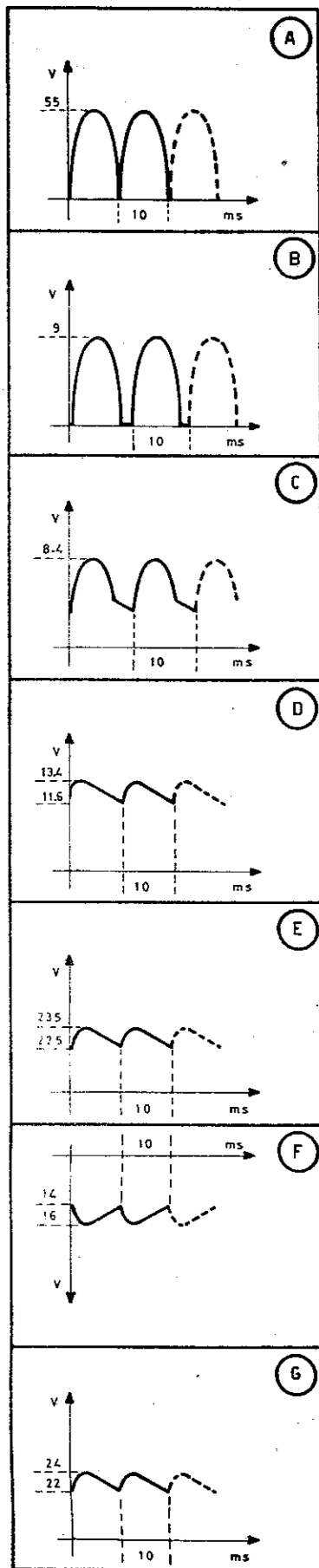
P.C. 1 B 1109/4





# POWER board

OSCILLOSCOPE  
DEFINABLE CURVES



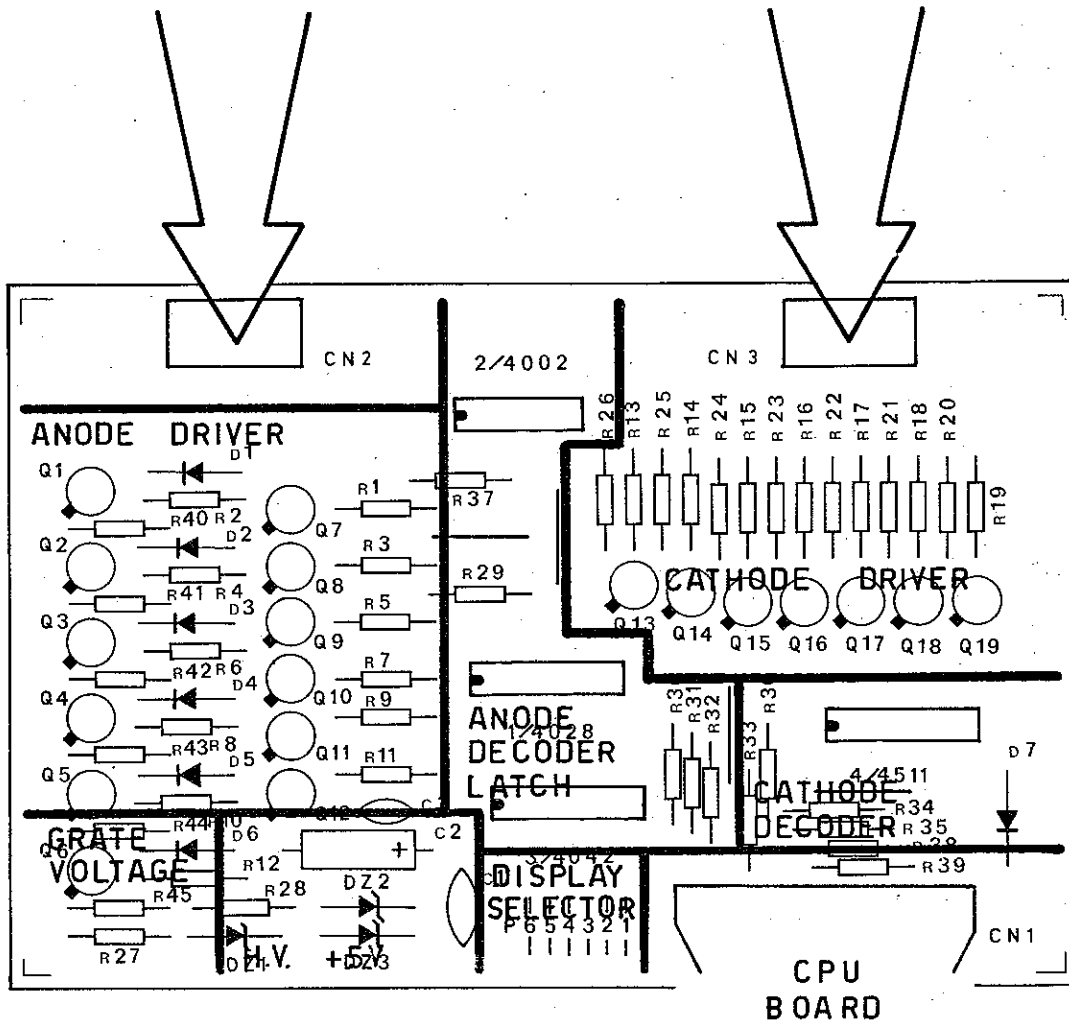
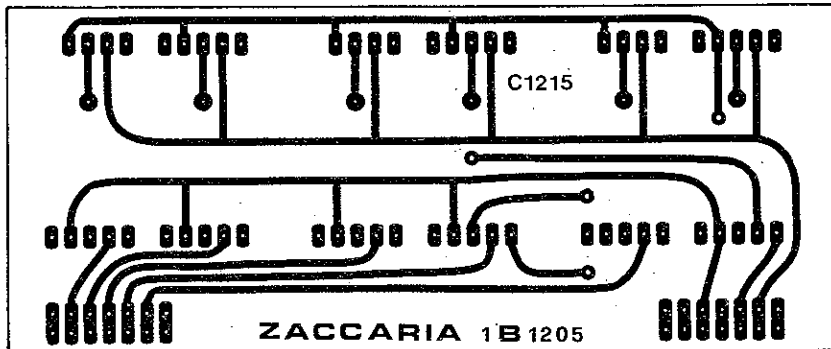
POWER BOARD

**ZACCARIA**

COD 181309/4

ELECTRICAL DIAGRAM for  
POWER BOARD 181109/4

# DISPLAY boards



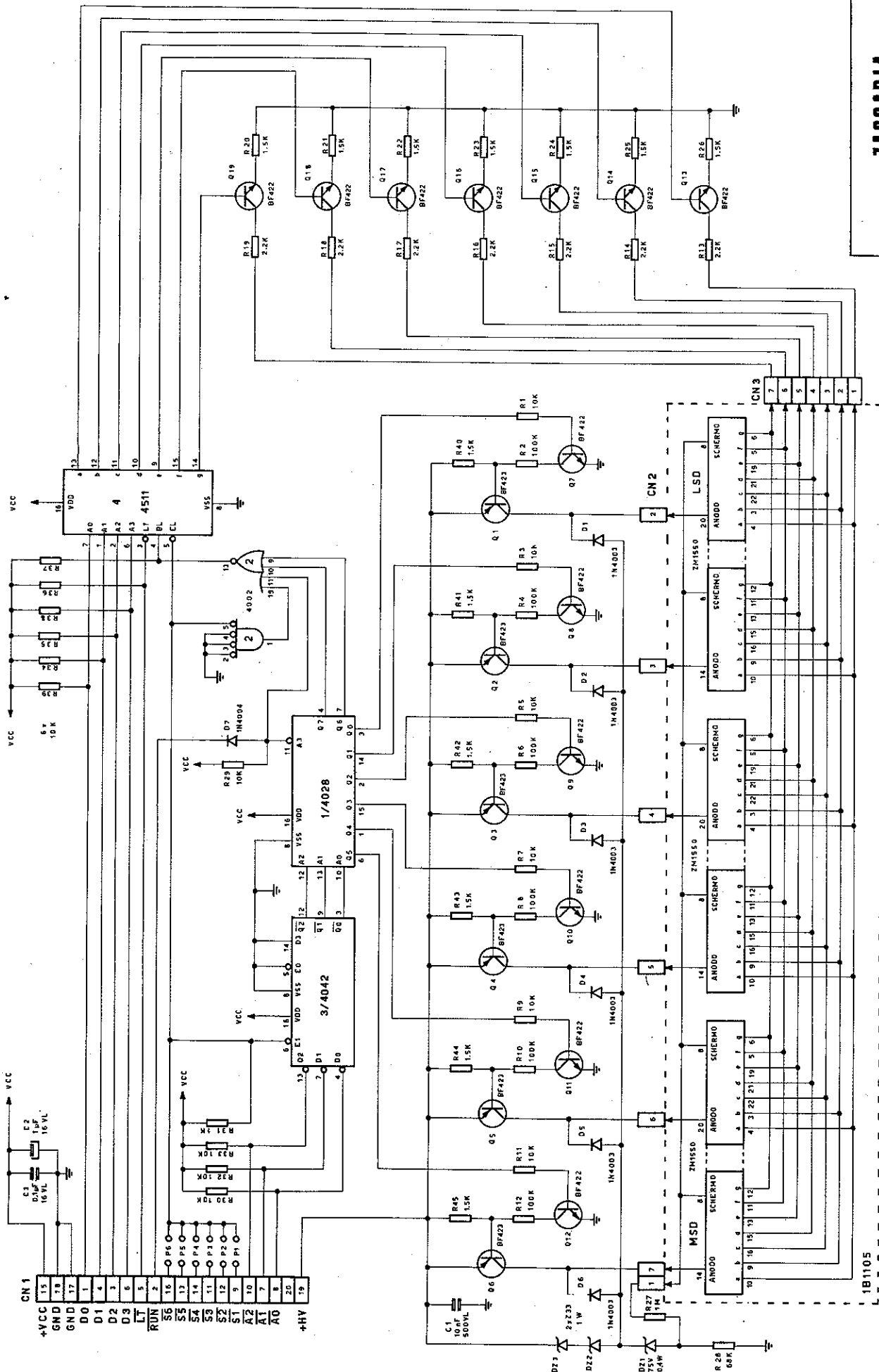
P.C. 1 B 1104/0



# DISPLAY boards

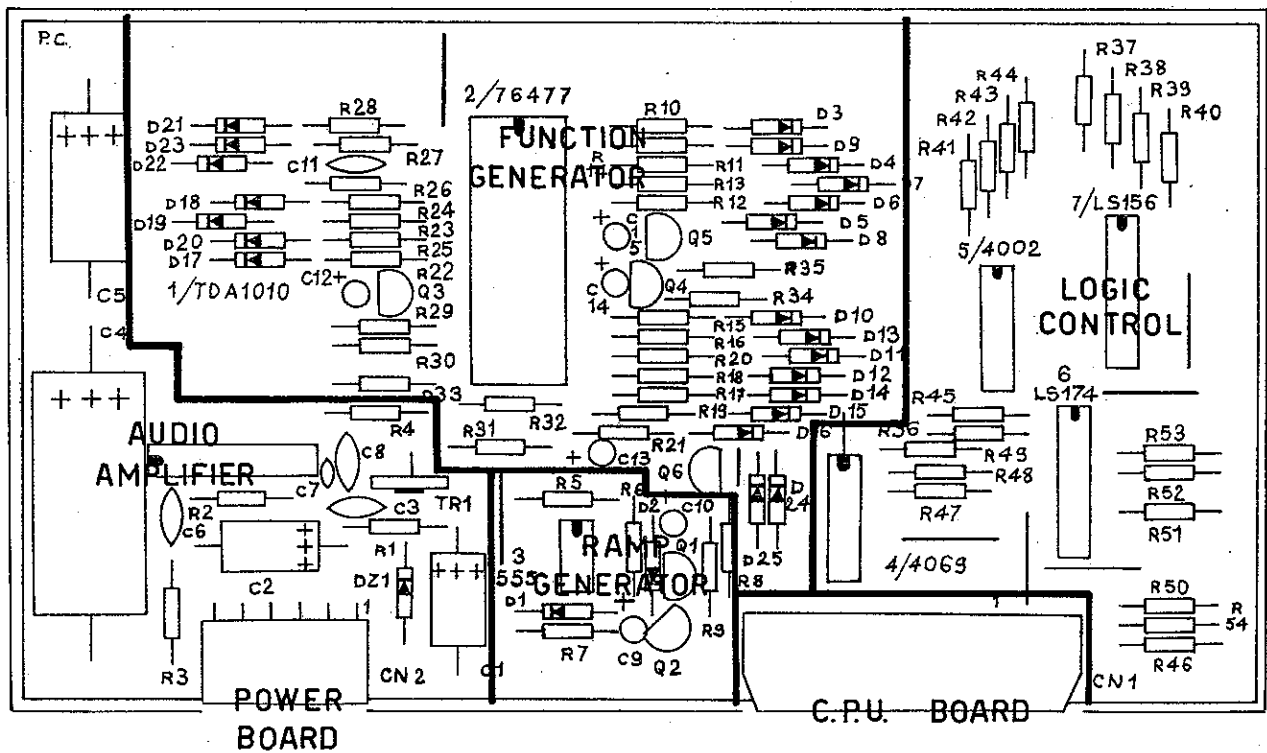
**ZACCARIA**

COD. 1B1304/0 ELECTRICAL DIAGRAM FOR  
1B1104/0 DRIVER DISPLAY BOARD



1B1105

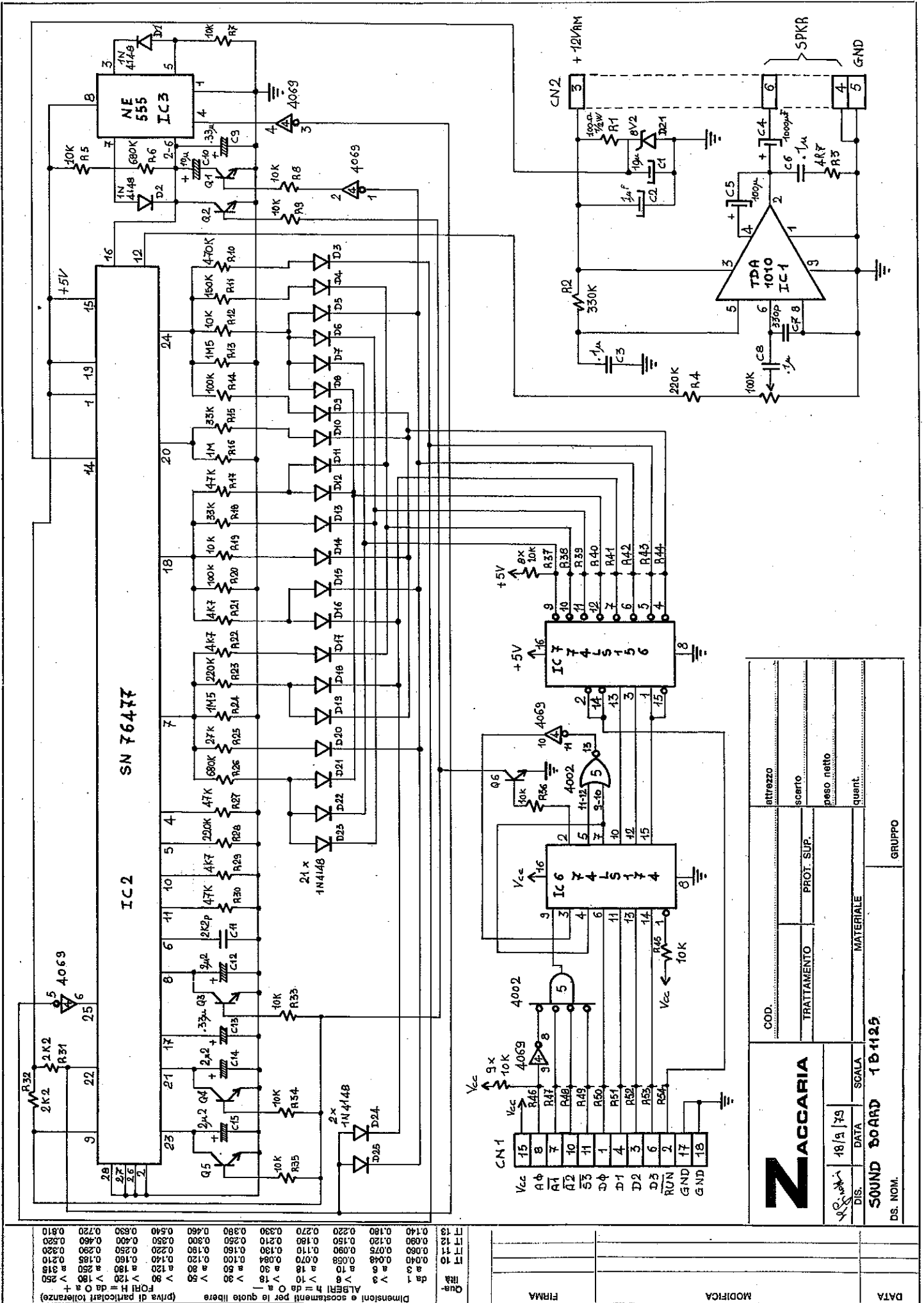
# SOUND board



P.C. 1 B 1125



# SOUND board



Dimensioni e accostamenti per la quote libera  
(priva di particolari tolleranze)

Q5	1N4148	10K	R35	10K	R34	10K	R33	10K	R32	2K2	R31	2K2	R30	2K2	R29	2K2	R28	2K2	R27	2K2	R26	2K2	R25	2K2	R24	2K2	R23	2K2	R22	2K2	R21	2K2	R20	2K2	R19	2K2	R18	2K2	R17	2K2	R16	2K2	R15	2K2	R14	2K2	R13	2K2	R12	2K2	R11	2K2	R10	2K2	R9	2K2	R8	2K2	R7	2K2	R6	2K2	R5	2K2	R4	2K2	R3	2K2	R2	2K2	R1	2K2
----	--------	-----	-----	-----	-----	-----	-----	-----	-----	-----	-----	-----	-----	-----	-----	-----	-----	-----	-----	-----	-----	-----	-----	-----	-----	-----	-----	-----	-----	-----	-----	-----	-----	-----	-----	-----	-----	-----	-----	-----	-----	-----	-----	-----	-----	-----	-----	-----	-----	-----	-----	-----	-----	-----	----	-----	----	-----	----	-----	----	-----	----	-----	----	-----	----	-----	----	-----	----	-----

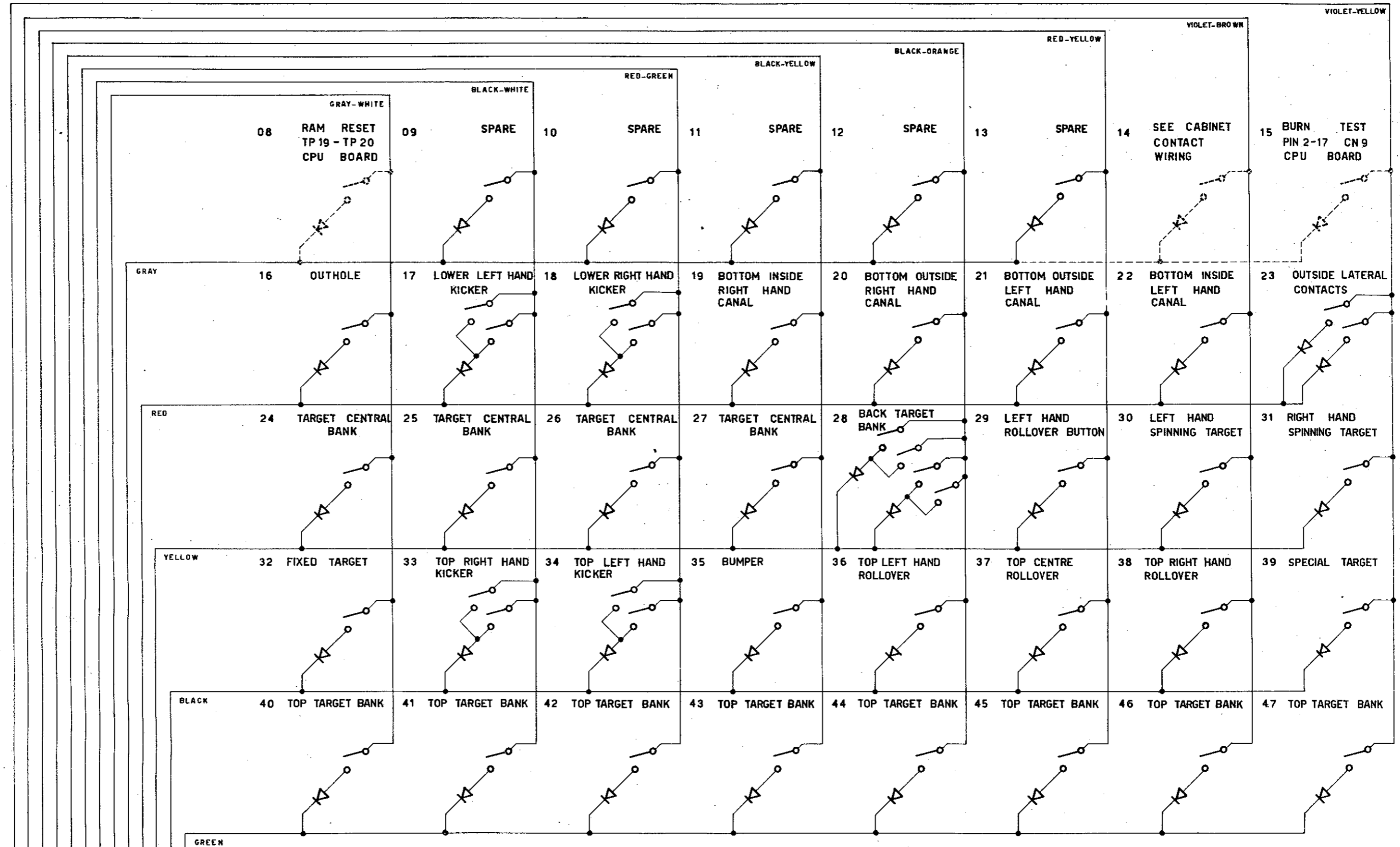
Q5	1N4148	10K	R35	10K	R34	10K	R33	10K	R32	2K2	R31	2K2	R30	2K2	R29	2K2	R28	2K2	R27	2K2	R26	2K2	R25	2K2	R24	2K2	R23	2K2	R22	2K2	R21	2K2	R20	2K2	R19	2K2	R18	2K2	R17	2K2	R16	2K2	R15	2K2	R14	2K2	R13	2K2	R12	2K2	R11	2K2	R10	2K2	R9	2K2	R8	2K2	R7	2K2	R6	2K2	R5	2K2	R4	2K2	R3	2K2	R2	2K2	R1	2K2
----	--------	-----	-----	-----	-----	-----	-----	-----	-----	-----	-----	-----	-----	-----	-----	-----	-----	-----	-----	-----	-----	-----	-----	-----	-----	-----	-----	-----	-----	-----	-----	-----	-----	-----	-----	-----	-----	-----	-----	-----	-----	-----	-----	-----	-----	-----	-----	-----	-----	-----	-----	-----	-----	-----	----	-----	----	-----	----	-----	----	-----	----	-----	----	-----	----	-----	----	-----	----	-----

DIS. 48/19/29		SCALA		MATERIALE		GRUPPO	
SOUND BOARD 1B1125				COD.			
TRATTAMENTO		PROT. SUP.		scarto		attrezzo	
peso netto		quant.					

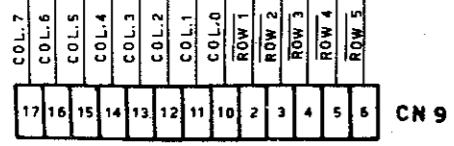


DS. NOM. 1B1125





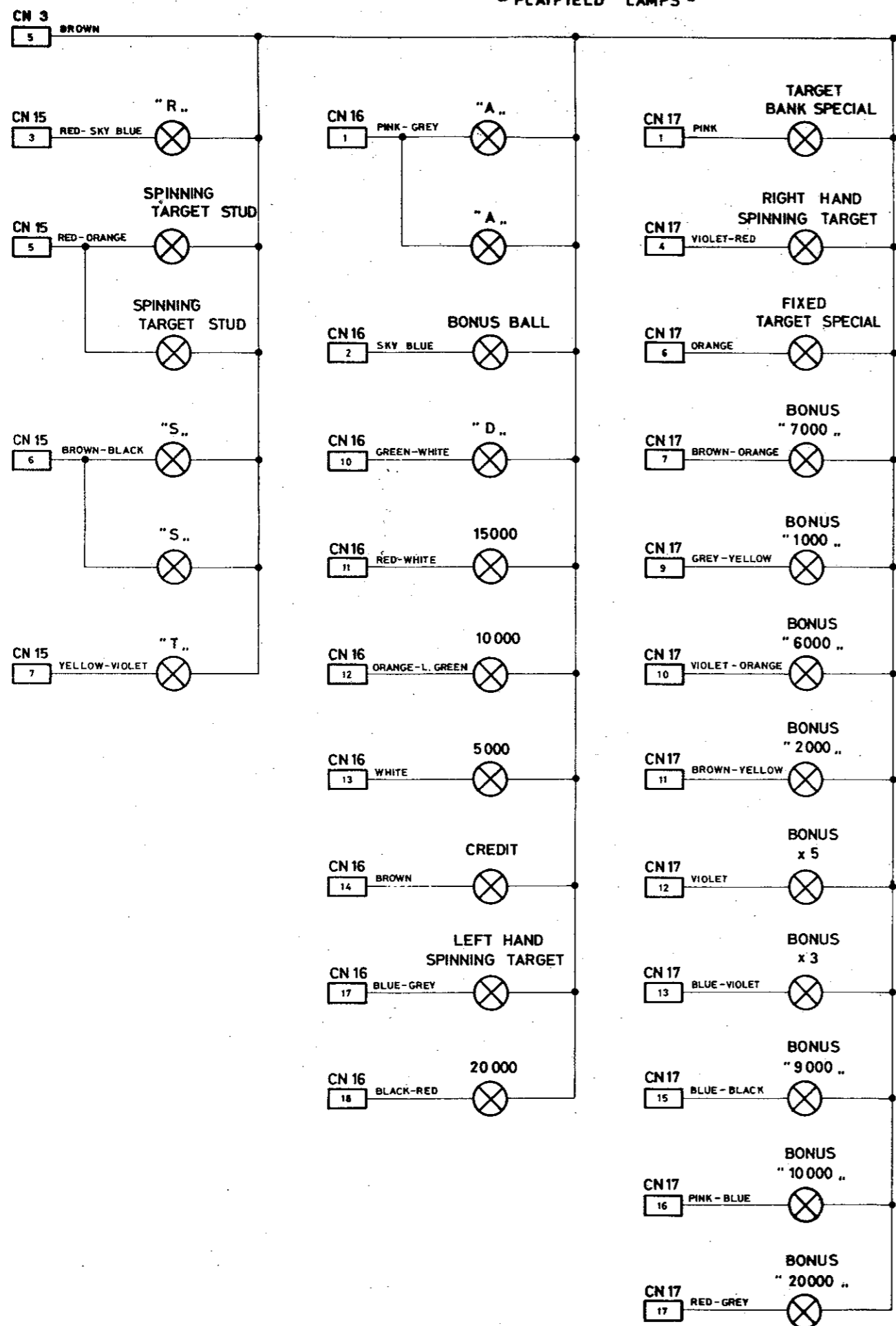
ALL DIODES ARE  
1N4148 OR FDH900



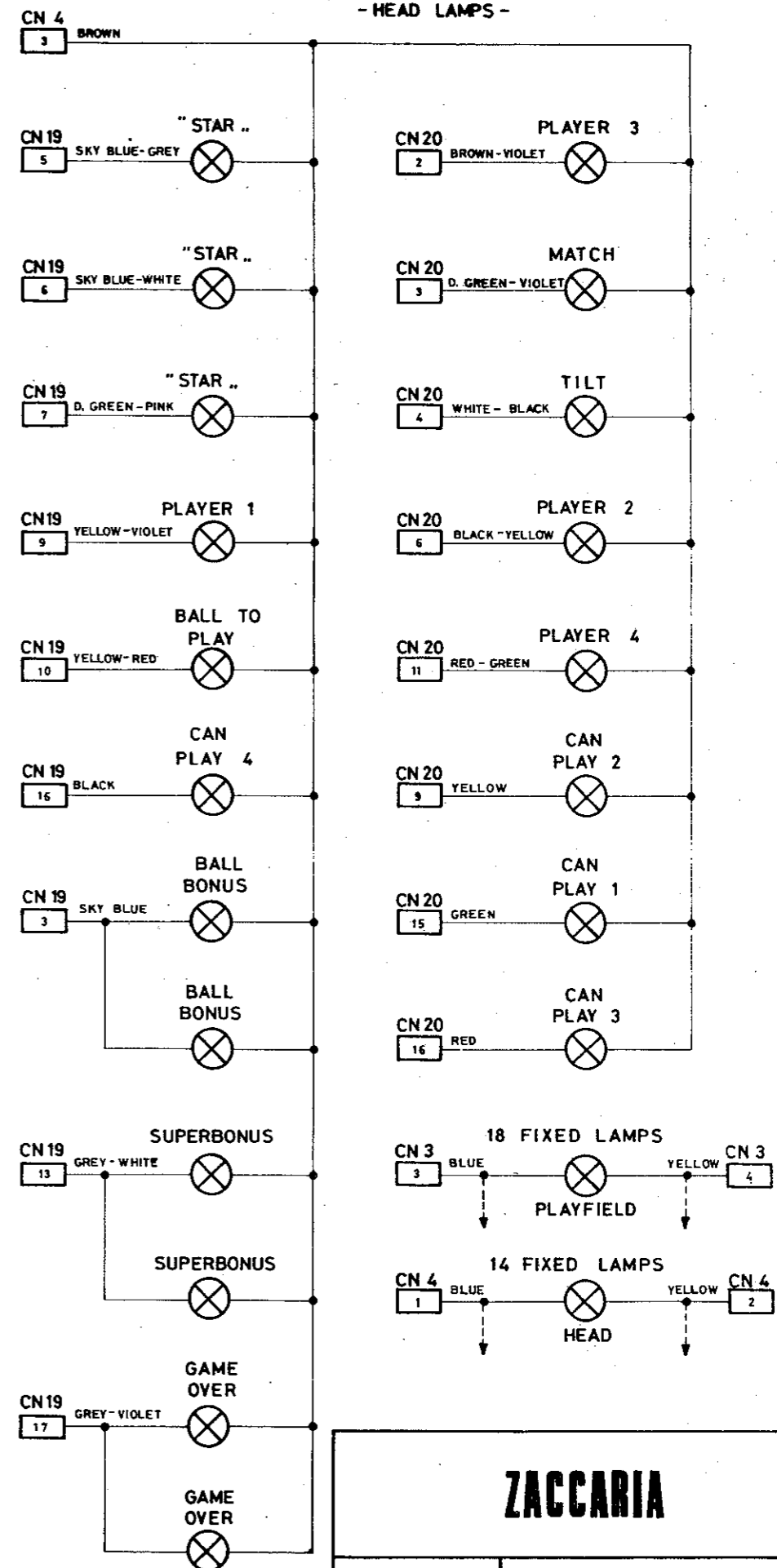
**ZACCARIA**

"STAR GOD..      DIAGRAM for  
PLAYFIELD CONTACTS  
WIRING

- PLAYFIELD LAMPS -



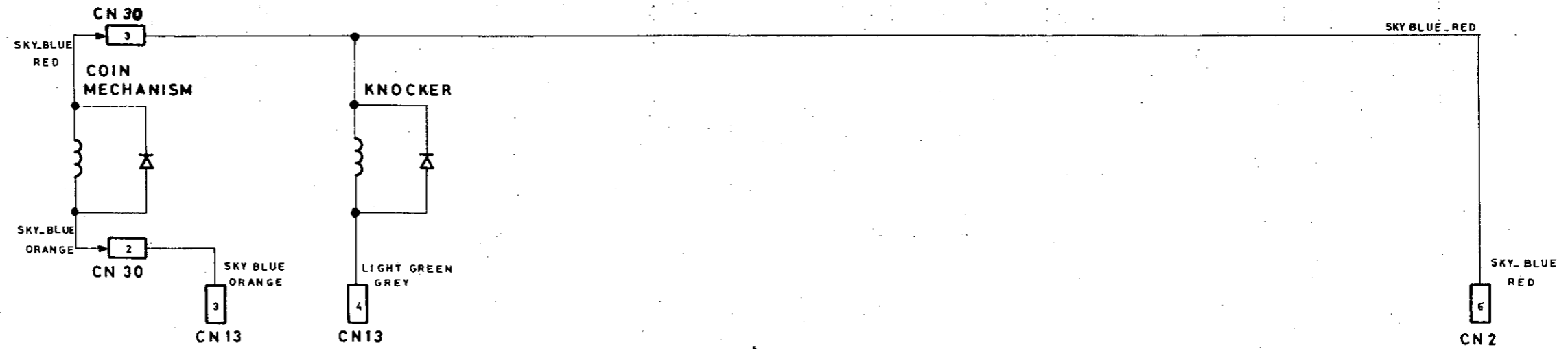
- HEAD LAMPS -



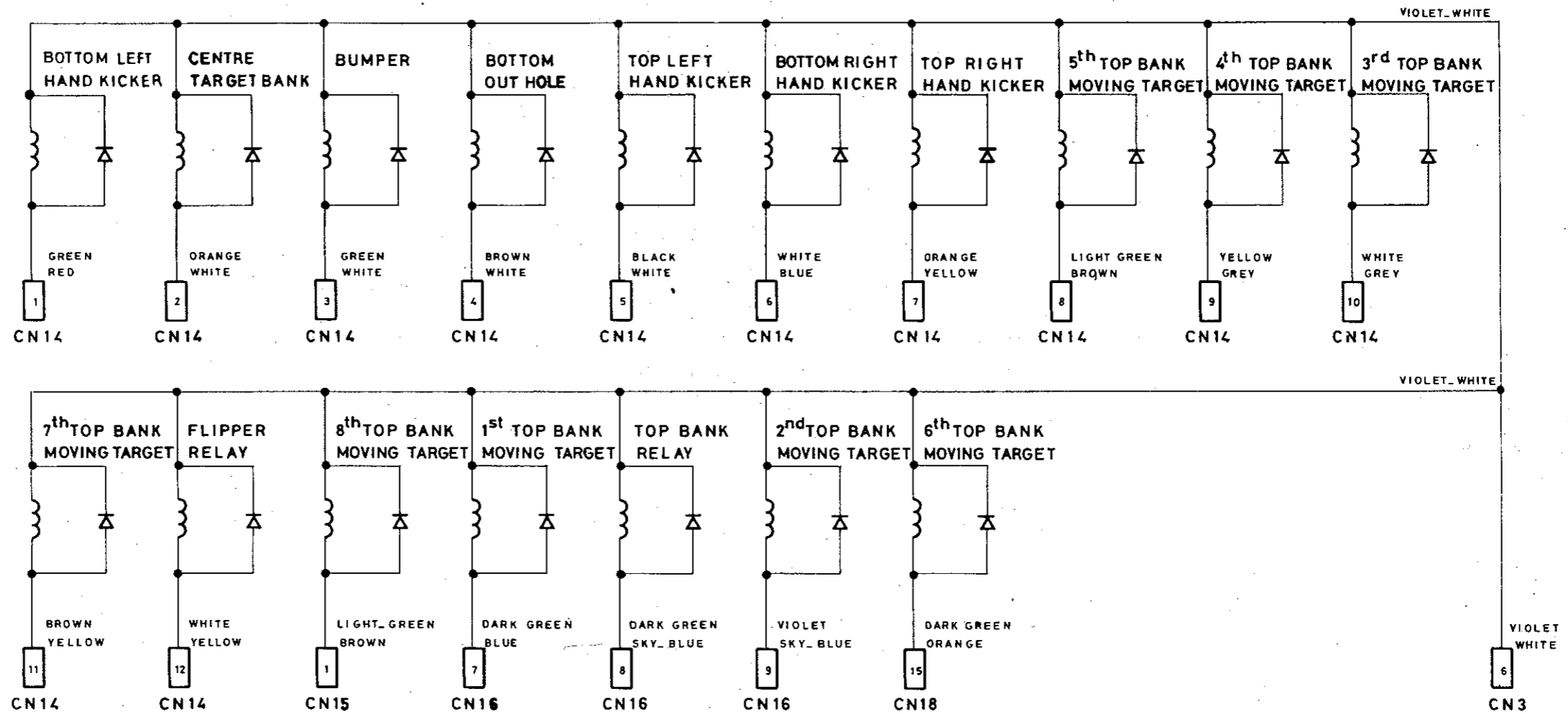
**ZACCARIA**



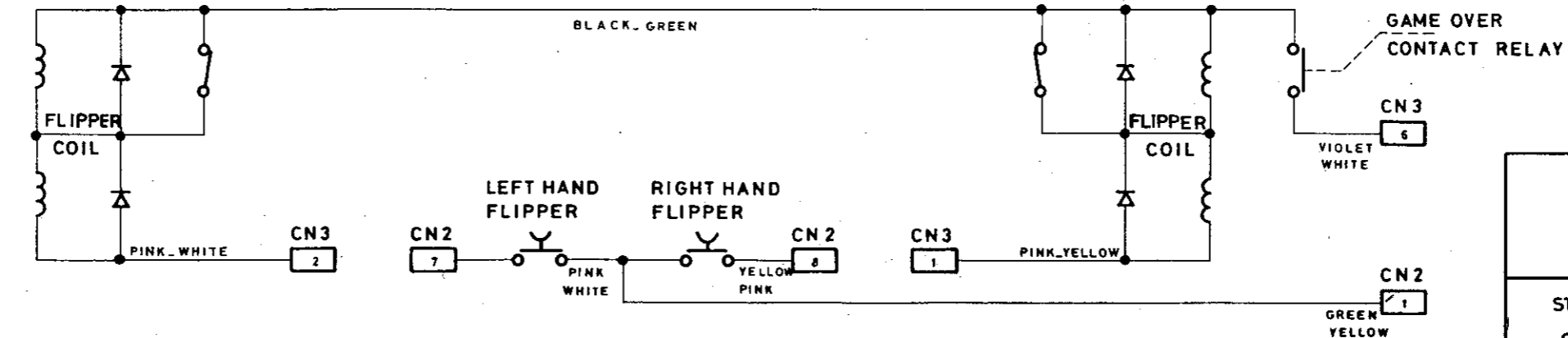
CABINET  
COILS



PLAYFIELD  
COILS



FLIPPERS



**ZACCARIA**

STAR  
GOD

ELECTRICAL DIAGRAM for  
COILS WIRING