



MAGIC CASTLE



Electrical Diagram

ZACCARIA®

Original document provided by:

URL: <http://www.tilt.it/>

E-mail: wiz@tilt.it
piero@tilt.it

Scans done by:

URL: <http://www.langaas.org/pinball/>

E-mail: thomas@langaas.org

LIST OF ILLUSTRATIONS

JUMP LIST FOR MEMORIES SELECTION

BLOCK DIAGRAM

ASSEMBLY DRAWING

POWER WIRING

LAYOUT }
 DIAGRAM } CPU

LAYOUT }
 DIAGRAM } INTERFACE

LAYOUT }
 DIAGRAM } POWER

LAYOUT }
 DIAGRAM } DRIVER DISPLAY

LAYOUT }
 DIAGRAM } SOUND & SPEECH

PLAYFIELD CONTACTS WIRING

COIL WIRING

PLAYFIELD & HEAD LAMPS WIRING

CABINET & FRONT DOOR WIRING

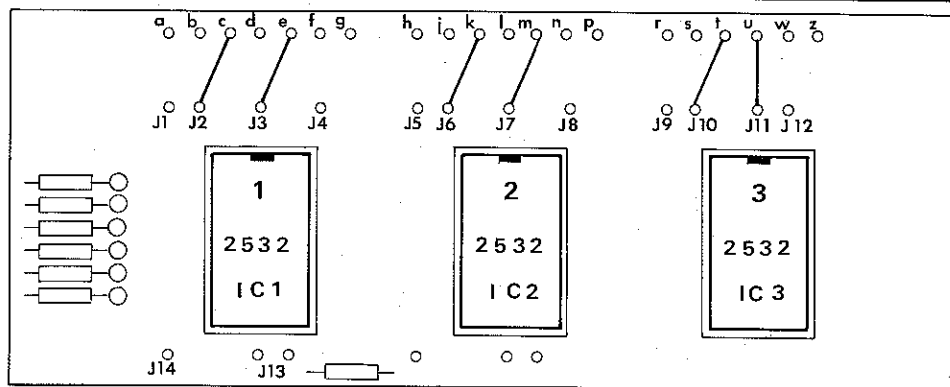
POWER SUPPLY

COLOR CODE

WIRES CUTAWAY
 VIEW LIST

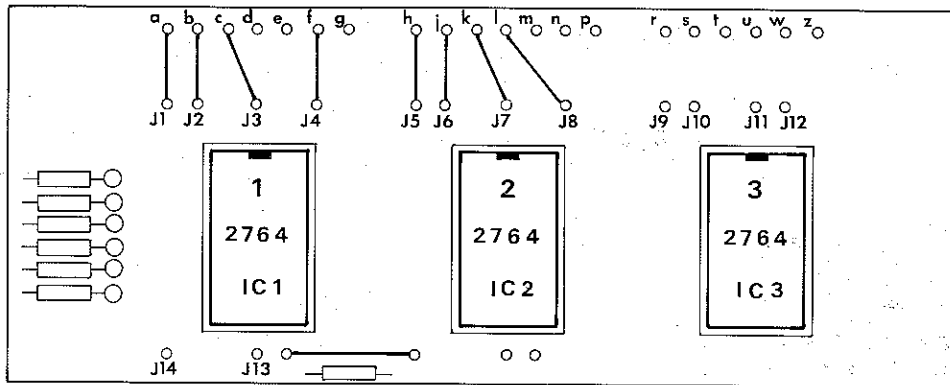
Black	0	mm ² 0,22	/1
Brown	1	mm ² 0,35	/2
Red	2	mm ² 0,5	/3
Orange	3	mm ² 0,9	/4
Yellow	4	mm ² 1,5	/5
Green	5		
Blue	6		
Violet	7		
Grey	8		
White	9		
Pink	11		
Light Blue	12		

JUMP LIST FOR MEMORIES SELECTION



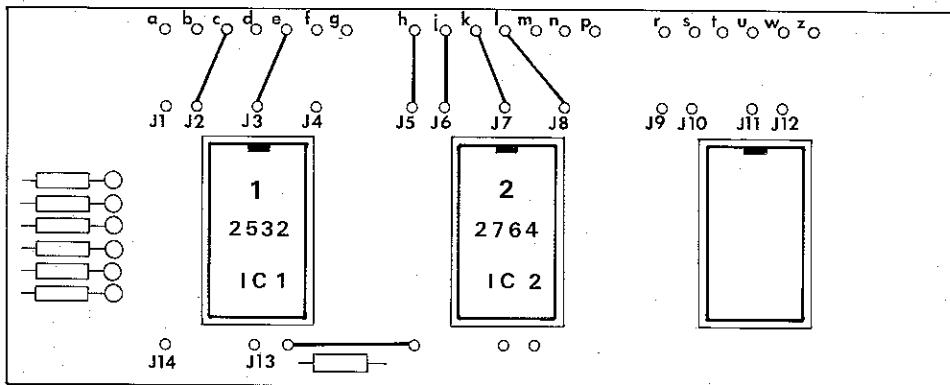
C.P.U. P.C. 1B1165
1B1165 / 0
1B1165 / 1

-PINBALL CHAMP
-SOCCER KINGS
-TIME MACHINE



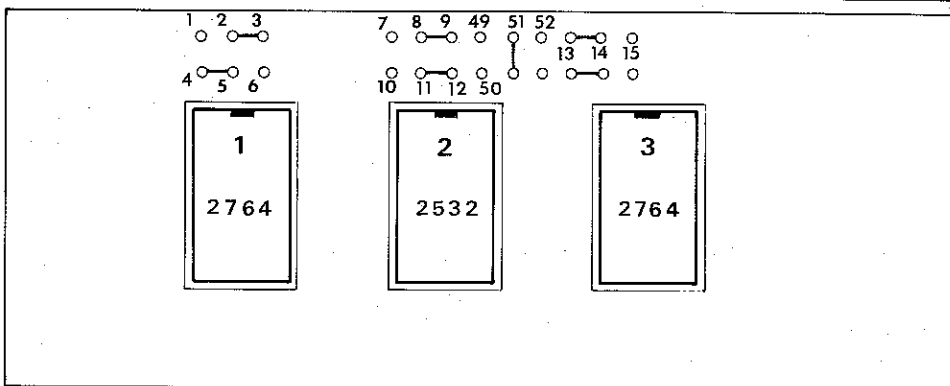
C.P.U. P.C. 1B1165
1B1165 / 0
1B1165 / 1

-FARFALLA
-DEVIL RIDERS



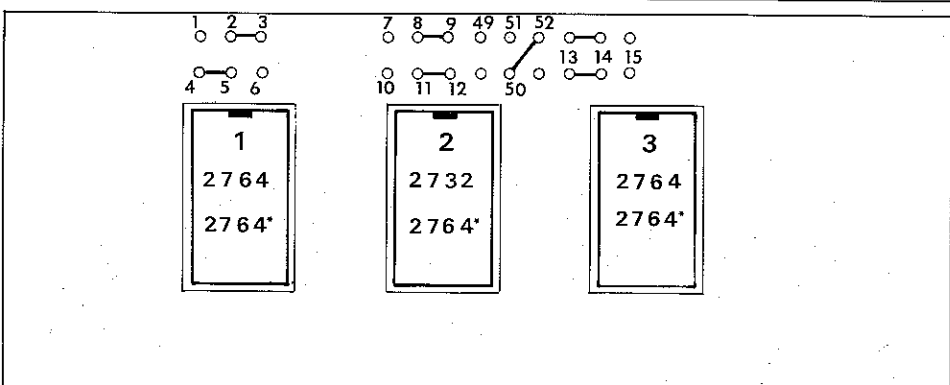
C.P.U. P.C. 1B1165 / 2

-MAGIC CASTLE



SOUND P.C. 1B11136

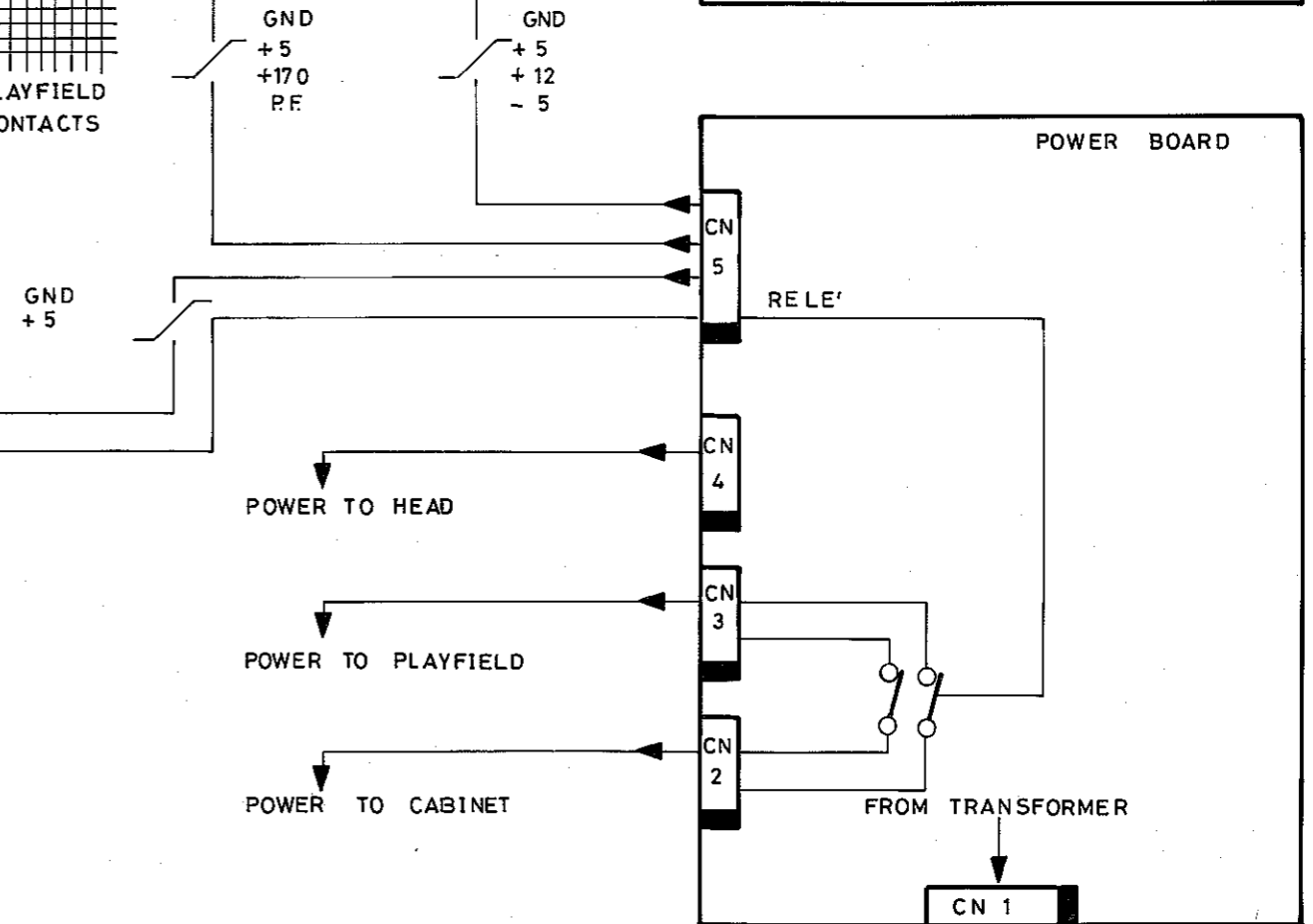
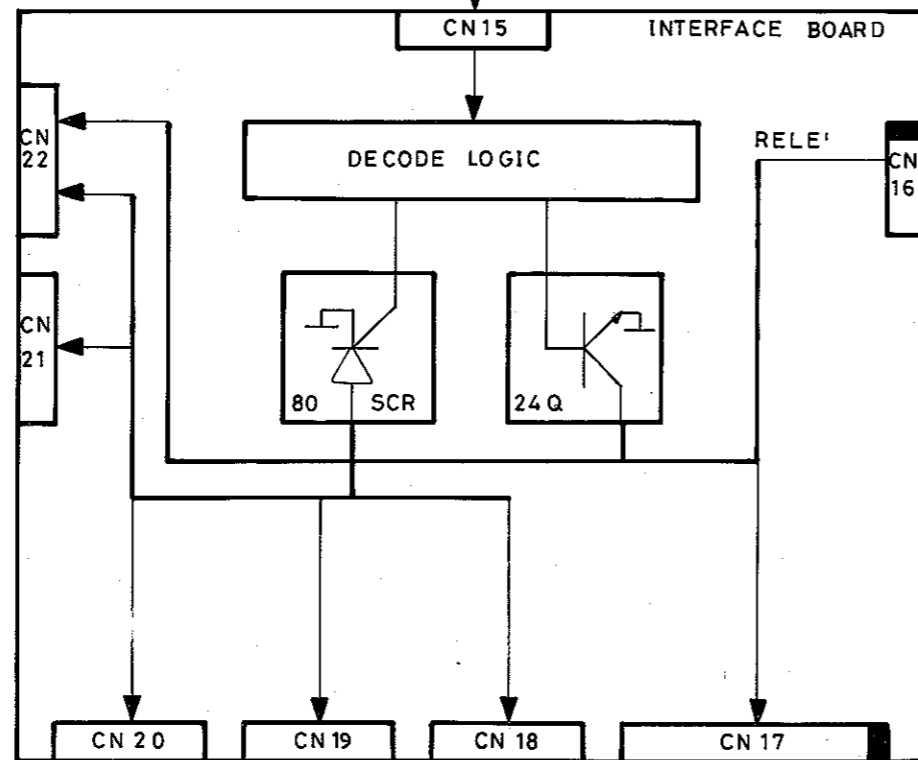
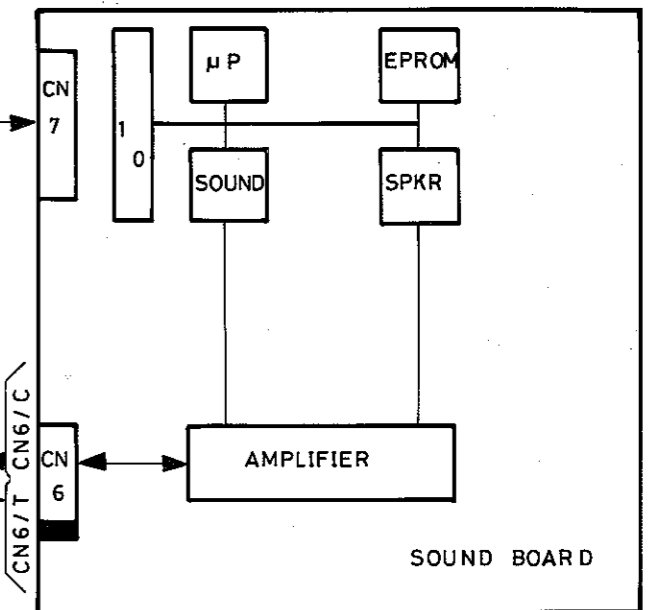
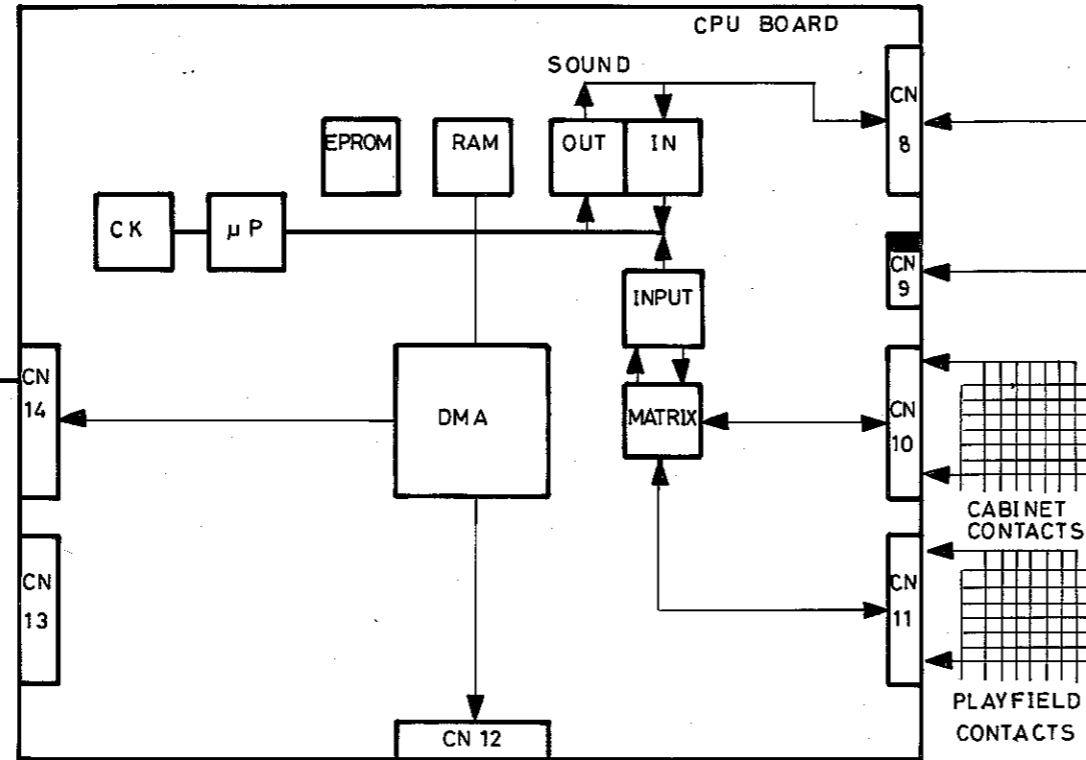
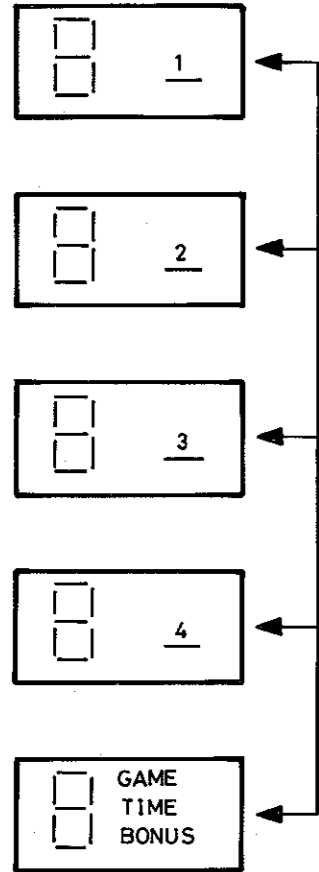
-TIME MACHINE



SOUND P.C. 1B11136

-FARFALLA
-DEVIL RIDERS*
-MAGIC CASTLE*

DRIVER DISPLAY BOARDS



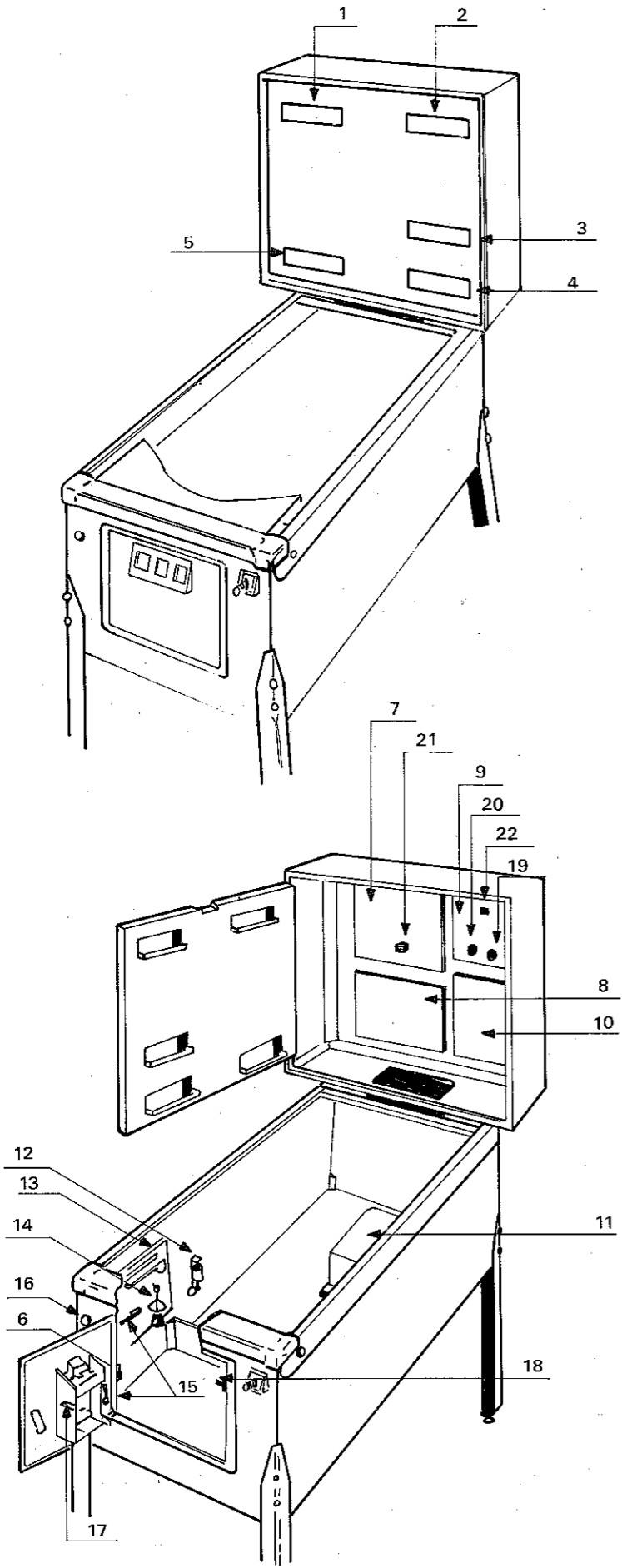
PLAYFIELD LAMPS

HEAD SOLENOIDS

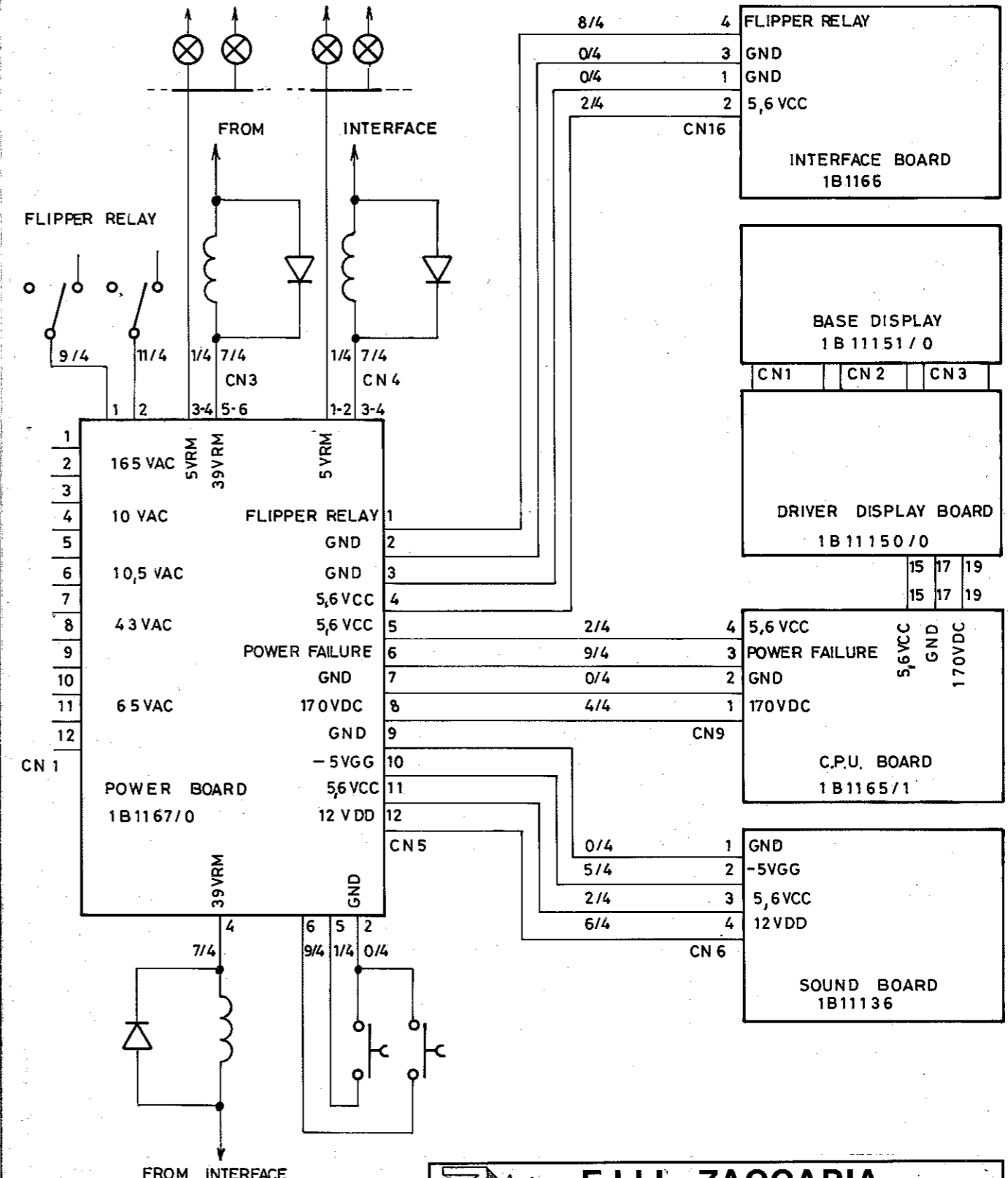
PLAYFIELD SOLENOIDS
CABINET SOLENOIDS

		F.LLI ZACCARIA s.n.c.	
Via Armaroli, 15 - 40012 CALDERARA DI RENO (Bo) ITALY			
Codice	Descrizione BLOCK DIAGRAM "MAGIC CASTLE"		
Codice Gruppo	Dis. <i>LOVENS</i>	Data 13.6.1983	Rev. <i>LOVENS</i>
Data Rev. 06.03.84		Scala	
Materiale		Trattamento	
note		Foglio	

ASSEMBLY DRAWING



- 1. 1st player display
- 2. 2nd player display
- 3. Credit display
Display ball to play
Match
Game time bonus
Highest score display
- 4. 4th player display
- 5. 3rd player display
- 6. Service button
- 7. C.P.U. board
- 8. Interface board
- 9. Sound board
- 10. Power board
- 11. Transformer
- 12. Knocker
- 13. Roll ball tilt
- 14. Bob tilt
- 15. Antichoc tilt
- 16. Credit button
- 17. Advance & Return test
- 18. General vol.
- 19. Maximum speach vol.
- 20. Maximum sound vol.
- 21. Dip SWS
- 22. Sound self-test button

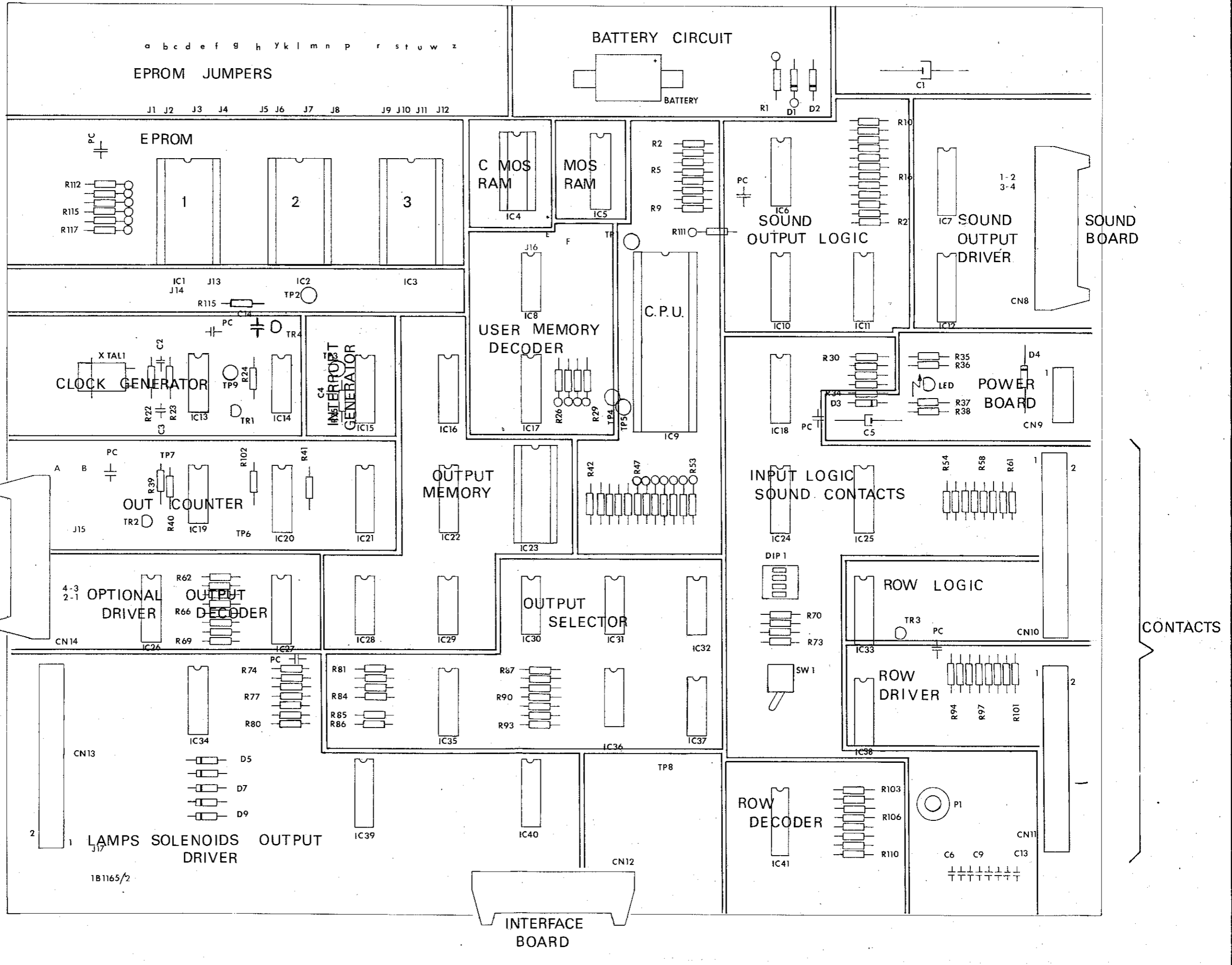


F.LLI ZACCARIA s.n.c.
Via Armaroli, 15 - 40012 CALDERARA DI RENO (Bo) ITALY

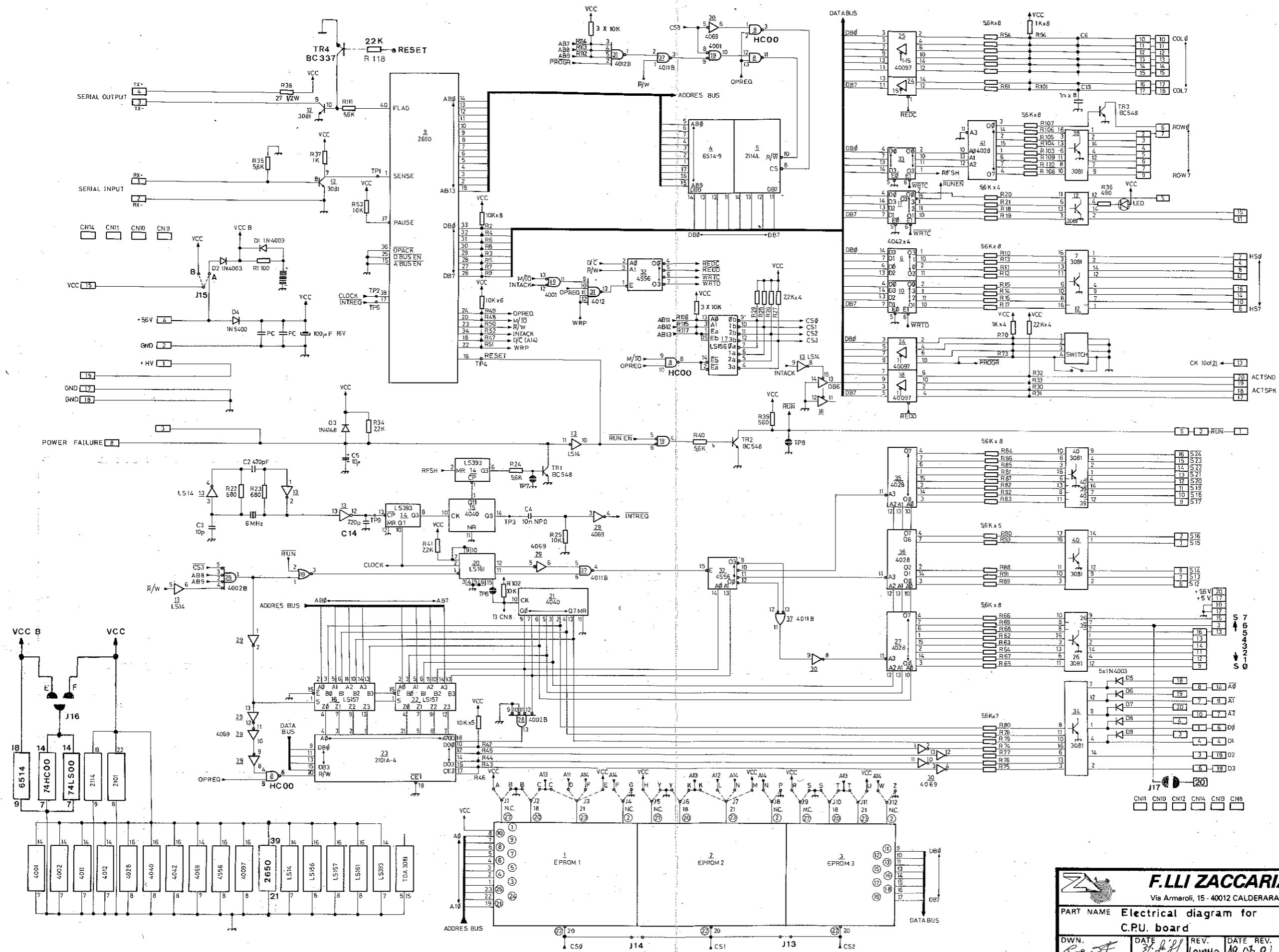
Codice	Descrizione "MAGIC CASTLE"			
ELECTRICAL DIAGRAM POWER WIRING				
Codice Gruppo	Dis.	Data	Rev.	Data Rev.
	LORENA	06-05-84		
Materiale	Trattamento		Scala	
note				Foglio

C.P.U. board

P.C.1 B 1165/2



1B1165/2



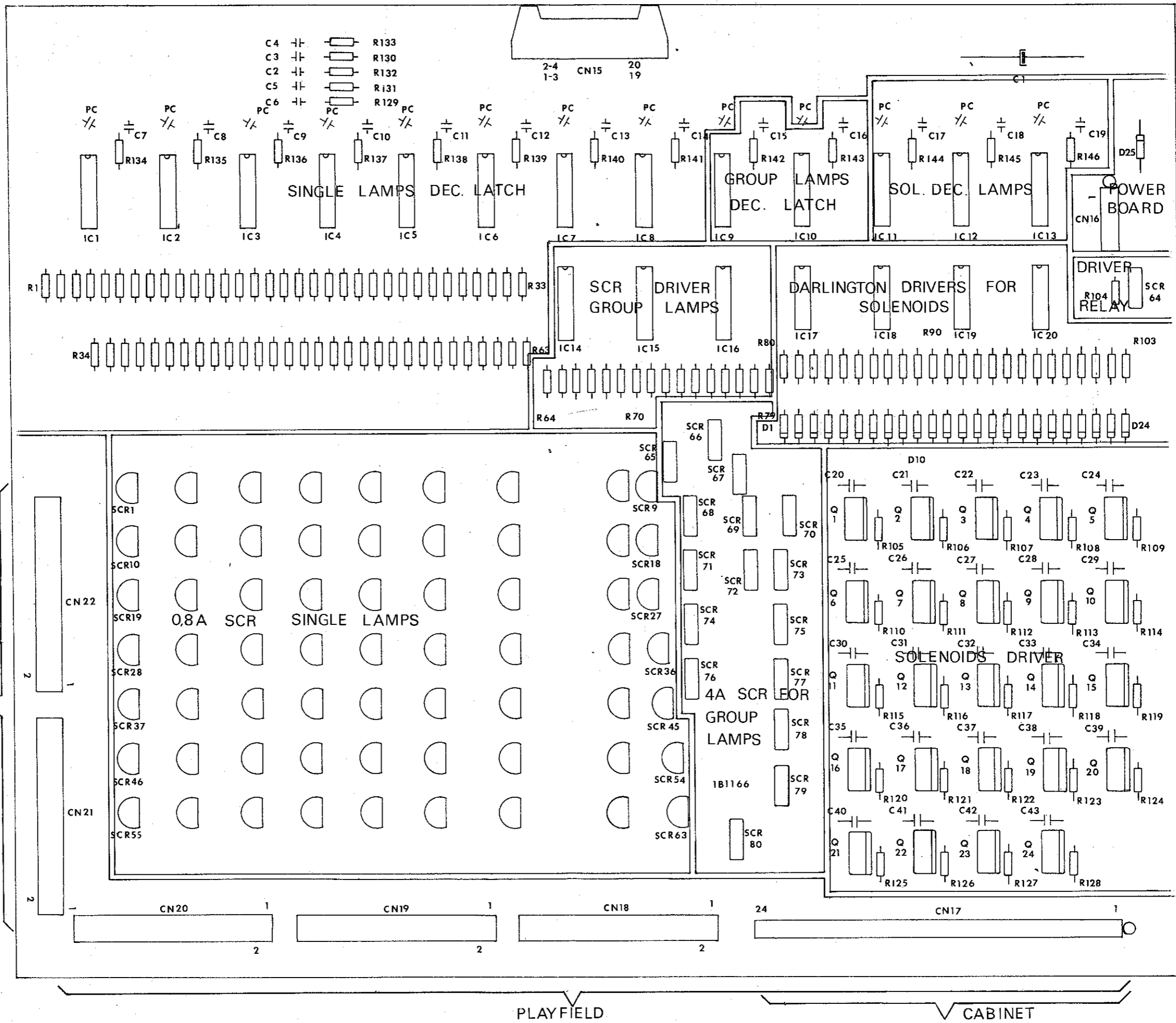
F.LI ZACCARIA s.n.c.
Via Armeroli, 15 - 40012 CALDERARA DI RENO (Bo) Italy

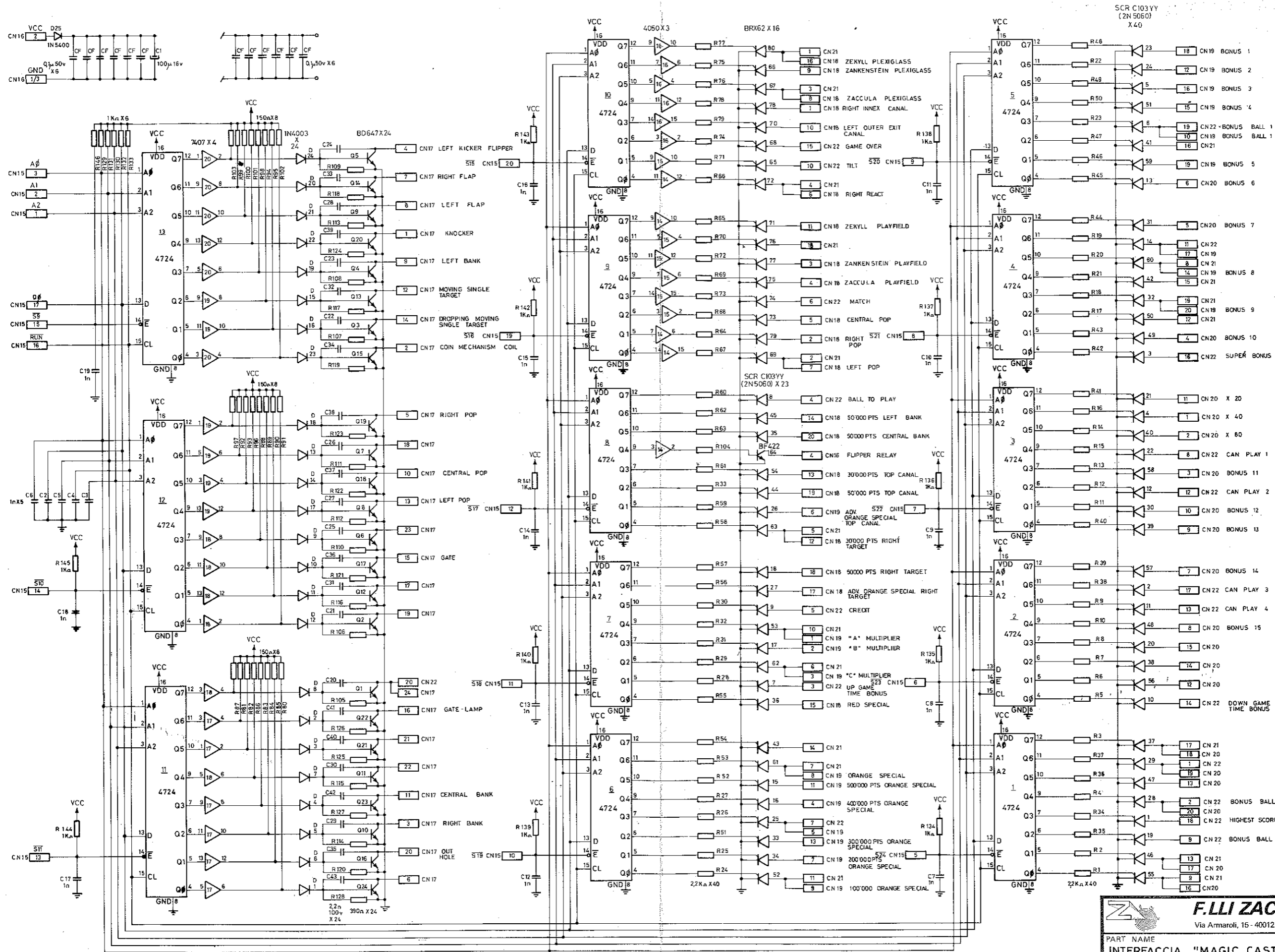
PART NAME Electrical diagram for		PART NO.	
C.P.U. board		1B 13 65/2	
DWN. <i>rest</i>	DATE <i>27.8.88</i>	REV. <i>LORNA</i>	DATE REV. <i>19.05.84</i>
NOTES: UNLESS OTHERWISE SPECIFIED		SHEET	
1) ALL RESISTORS VALUES IN			
2) ALL CAPACITORS VALUES IN			

INTERFACE board

P.C. 1B1166

C.P.U. BOARD



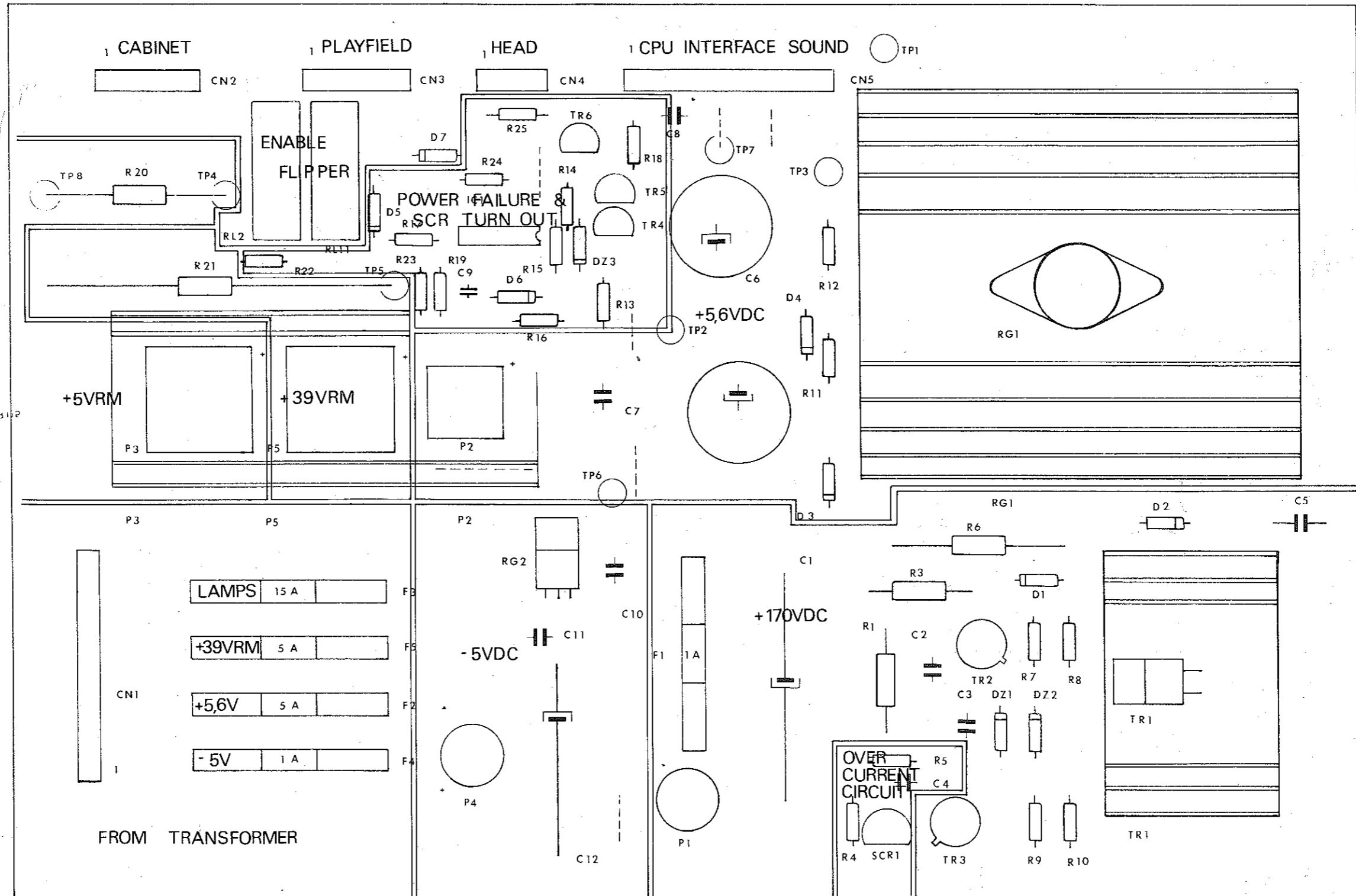


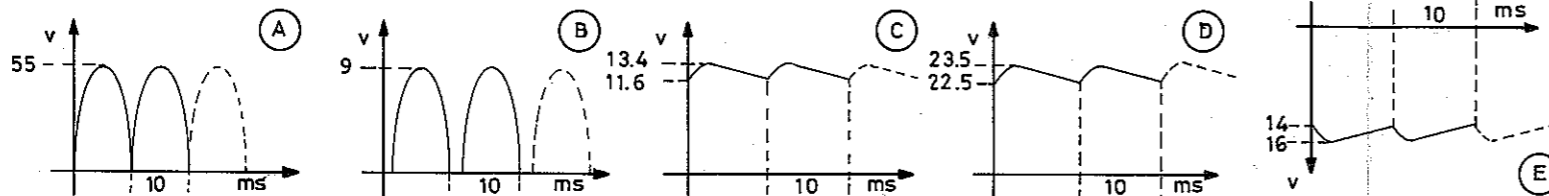
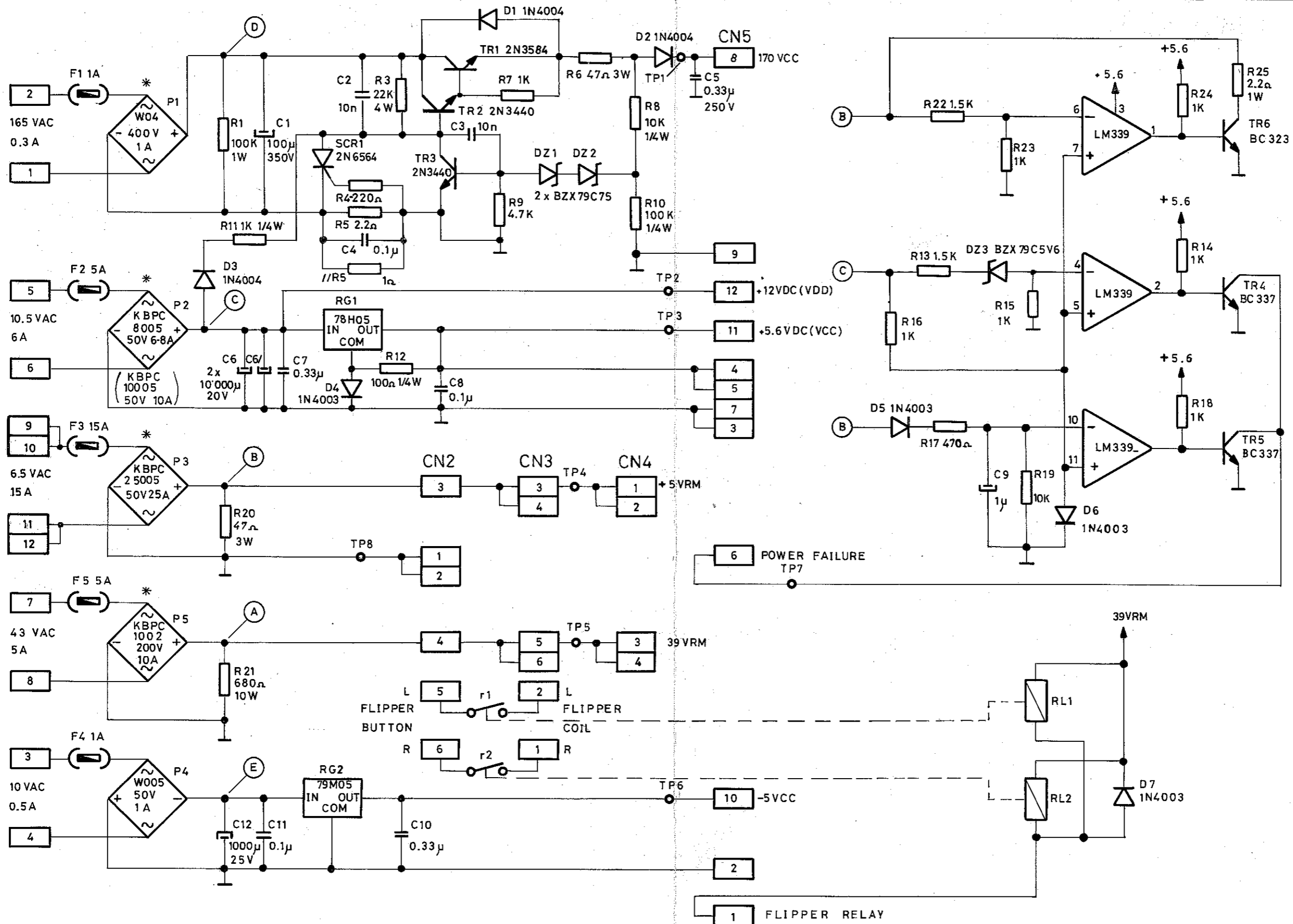
F.LLI ZACCARIA s.n.c.
Via Amaroli, 15 - 40012 CALDERARA DI RENO (Bo) Italy

PART NAME		PART NO.	
INTERFACCIA "MAGIC CASTLE"		1B1366	
DWN.	DATE	REV.	DATE REV.
leveys	20.04.84		
NOTES: UNLESS OTHERWISE SPECIFIED			
1) ALL RESISTORS VALUES IN -----			
2) ALL CAPACITORS VALUES IN -----			

POWER board

P.C. 1B1167/0





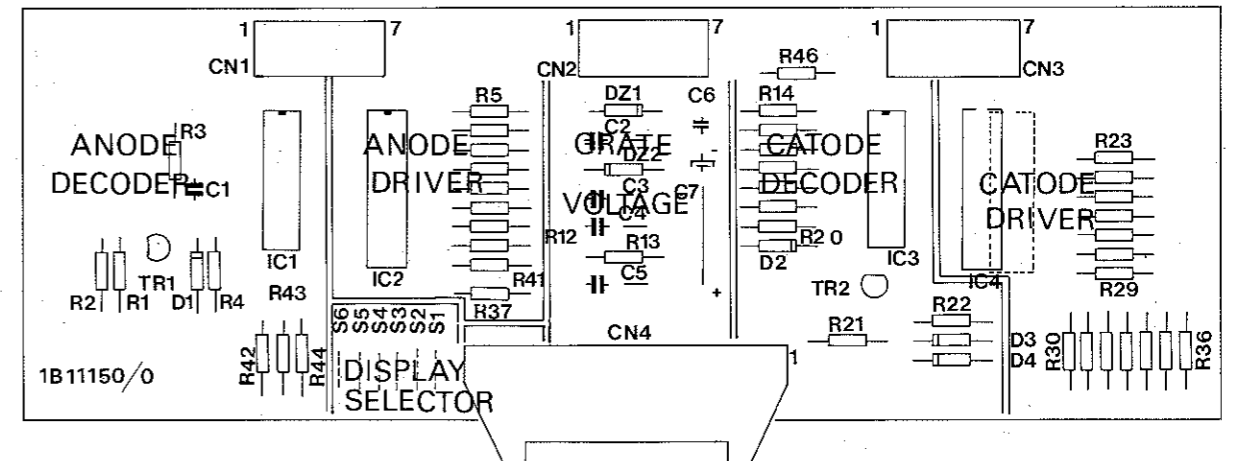
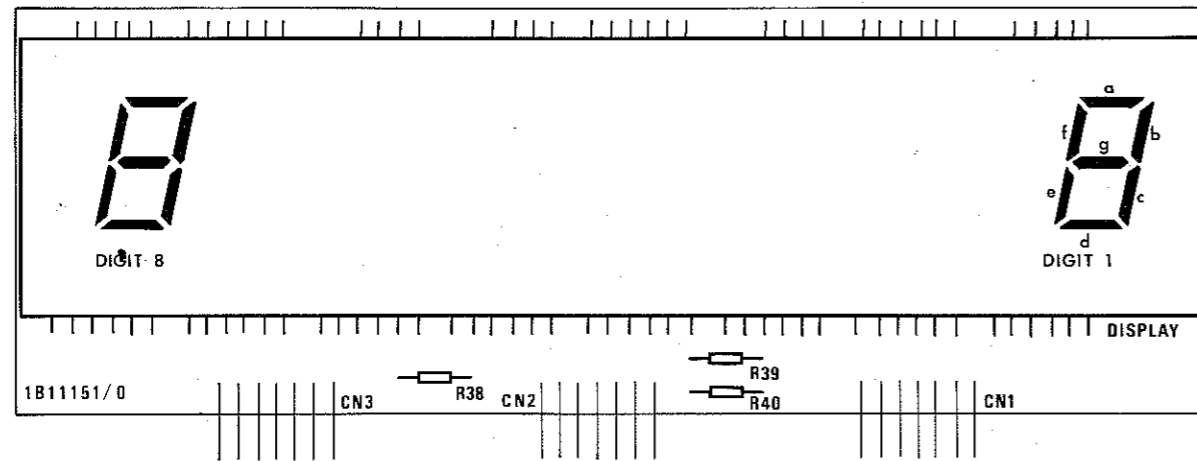
* WITH HEAT SINK

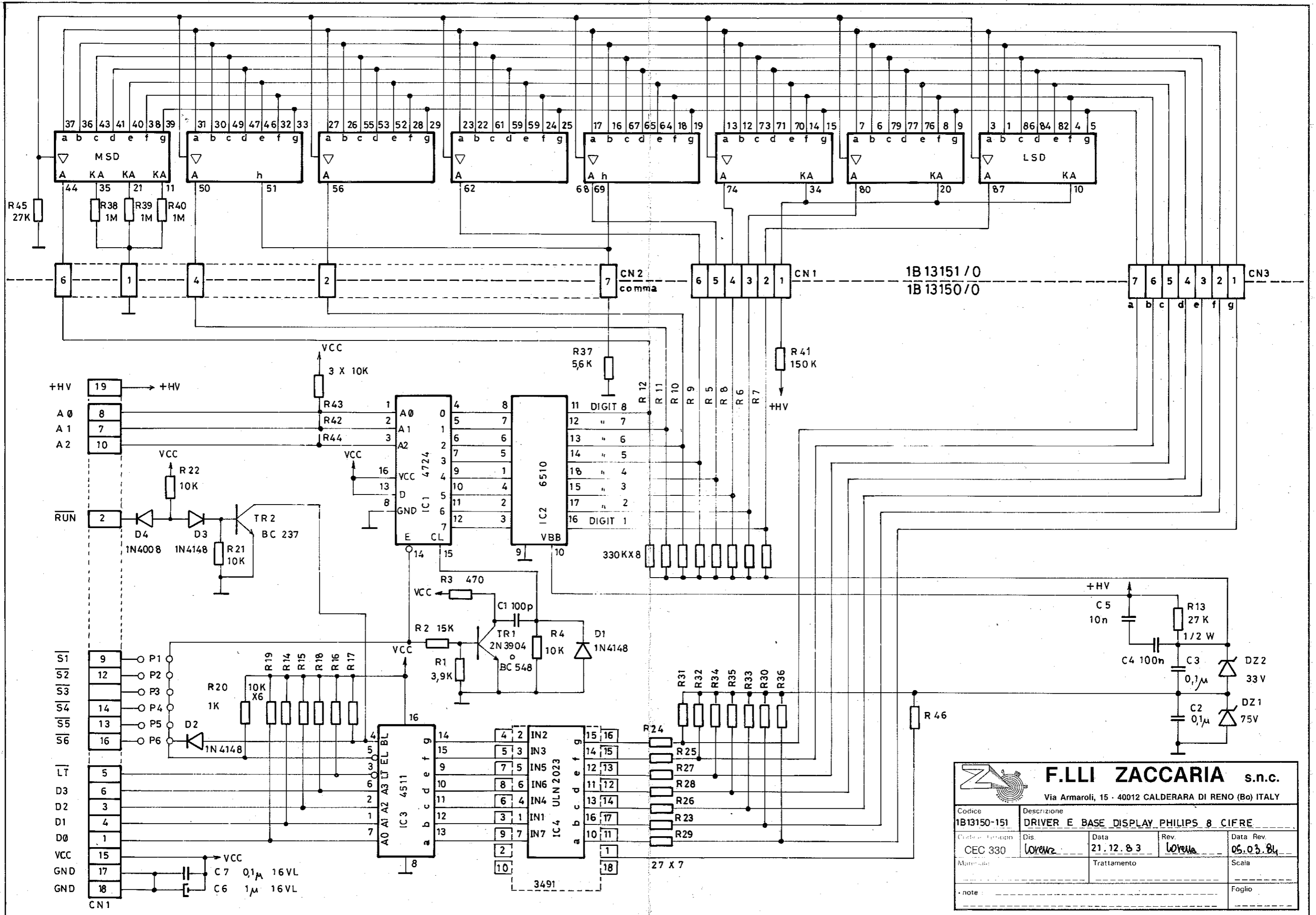
F.LLI ZACCARIA s.n.c.
 Via Armaroli, 15 - 40012 CALDERARA DI RENO (Bo) Italy

PART NAME Electrical diagram for POWER BOARD		PART NO. 1B1367/0	
DWN. <i>[Signature]</i>	DATE 26/7/82	REV. <i>[Signature]</i>	DATE REV. 5.04.84
NOTES: UNLESS OTHERWISE SPECIFIED		SHEET	
1) ALL RESISTORS VALUES IN		-----	
2) ALL CAPACITORS VALUES IN		-----	

BASE & DRIVER DISPLAY board

P.C. 1B11150/0 - 1B11151/0



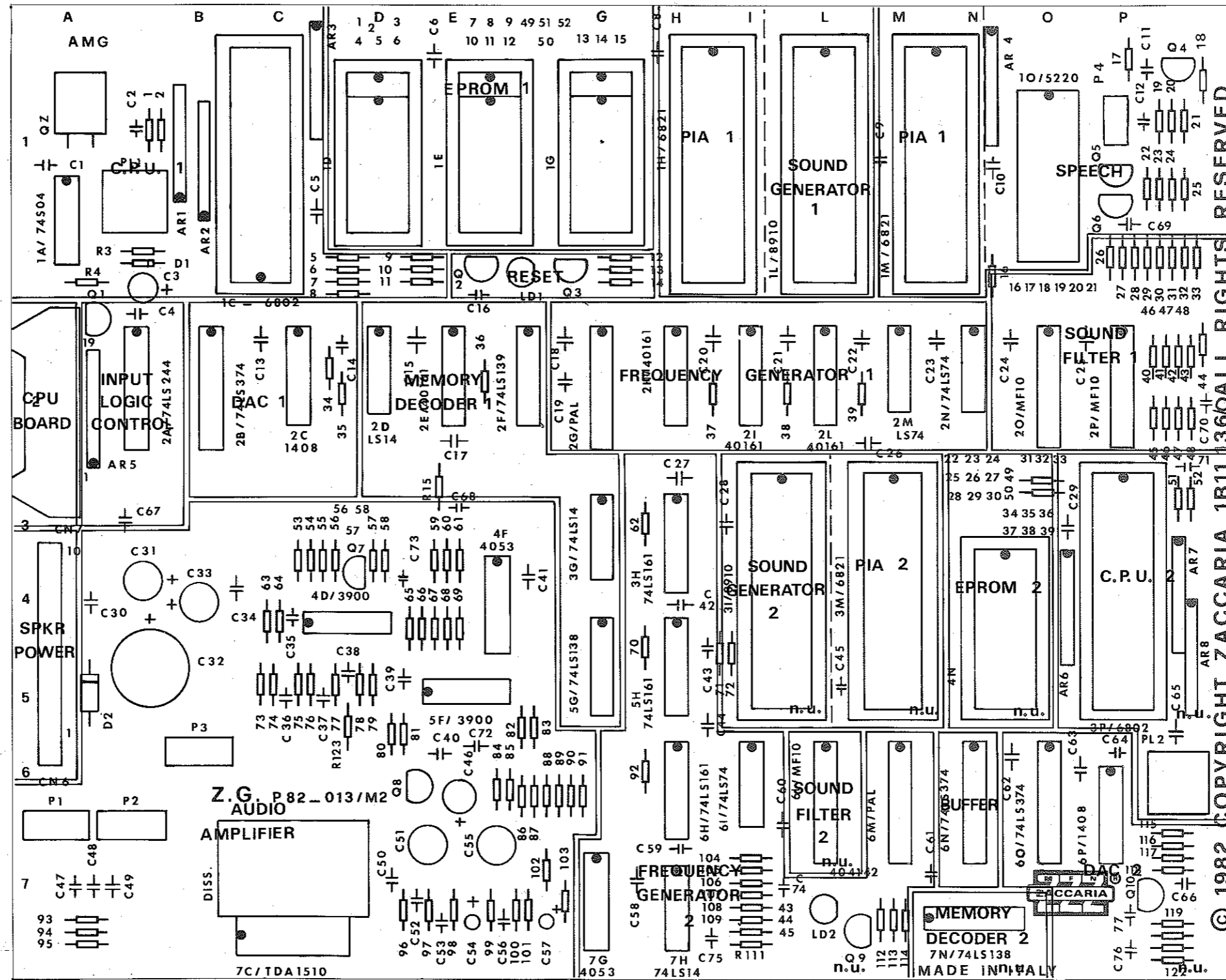


F.LLI ZACCARIA s.n.c.
Via Armaroli, 15 - 40012 CALDERARA DI RENO (Bo) ITALY

Codice		Descrizione		
1B13150-151		DRIVER E BASE DISPLAY PHILIPS 8 CIFRE		
Codice Gruppo	Dis.	Data	Rev.	Data Rev.
CEC 330	lorenz	21.12.83	lorenz	05.03.84
Materiale		Trattamento		Scala
note				Foglio

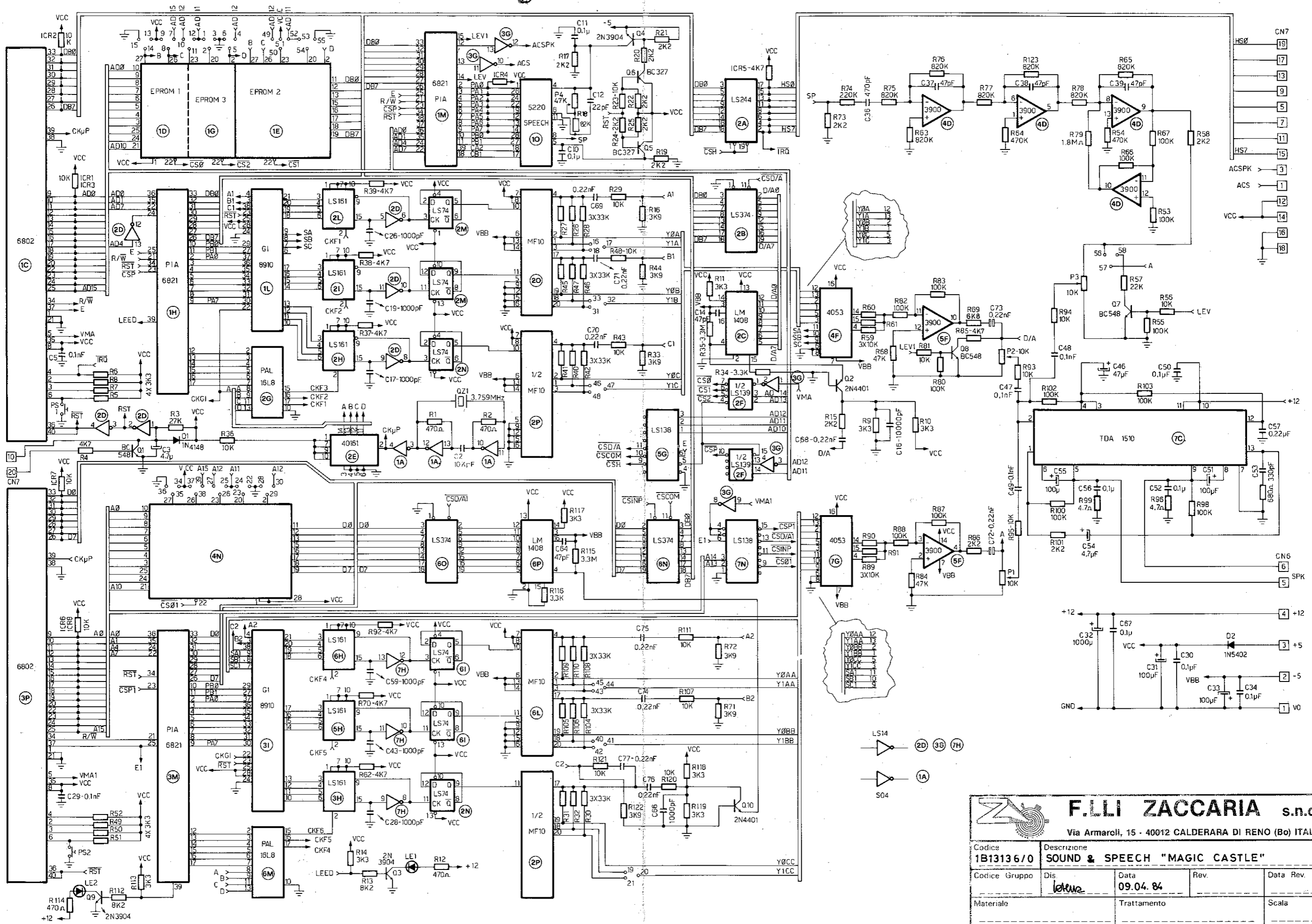
SOUND & SPEECH board

PC. 1B11136\0



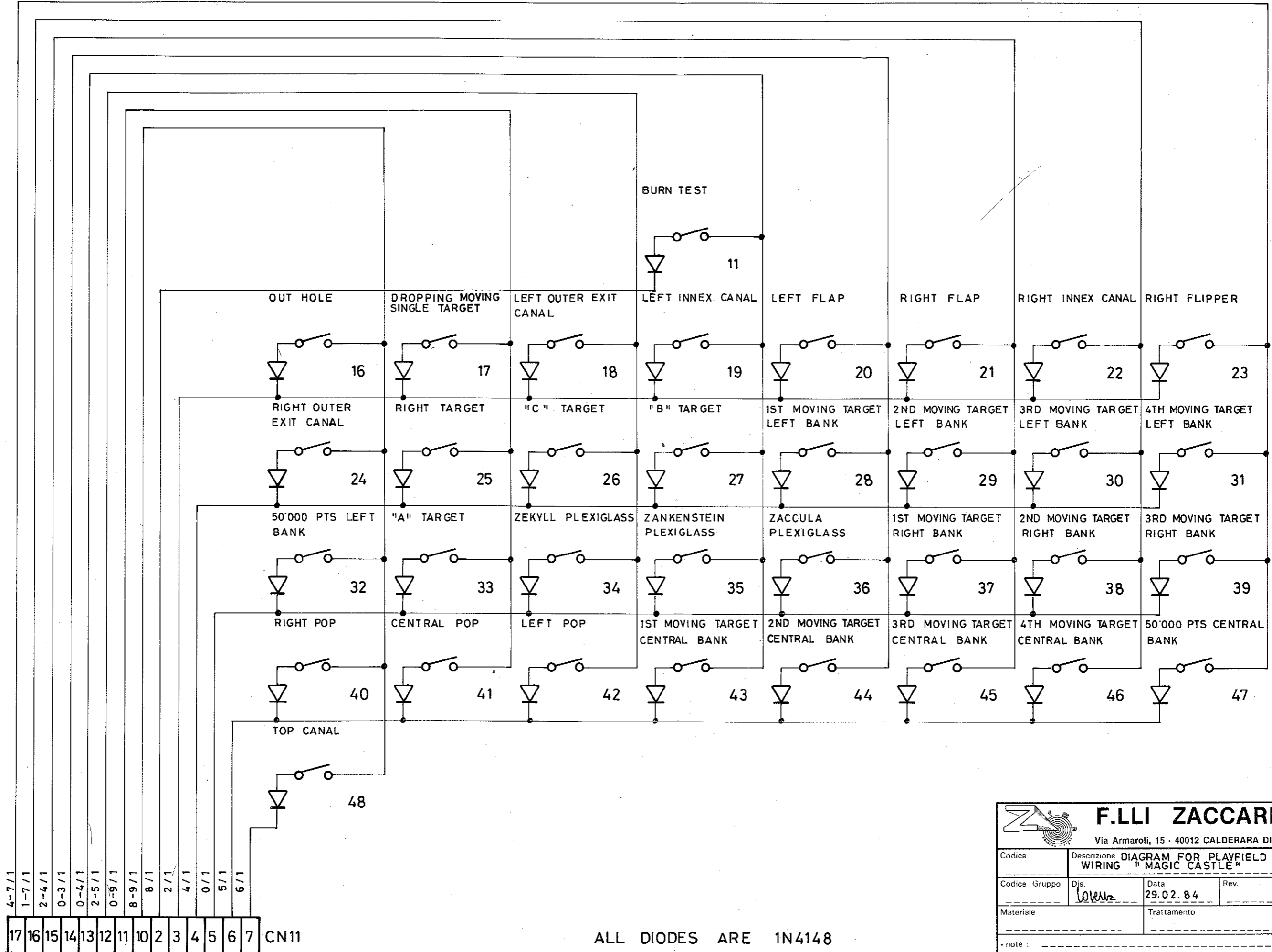
SERIGRAFIA COMPONENTI SCALA 1:1

© 1982 COPYRIGHT ZACCARIA 1B11136\0 ALL RIGHTS RESERVED




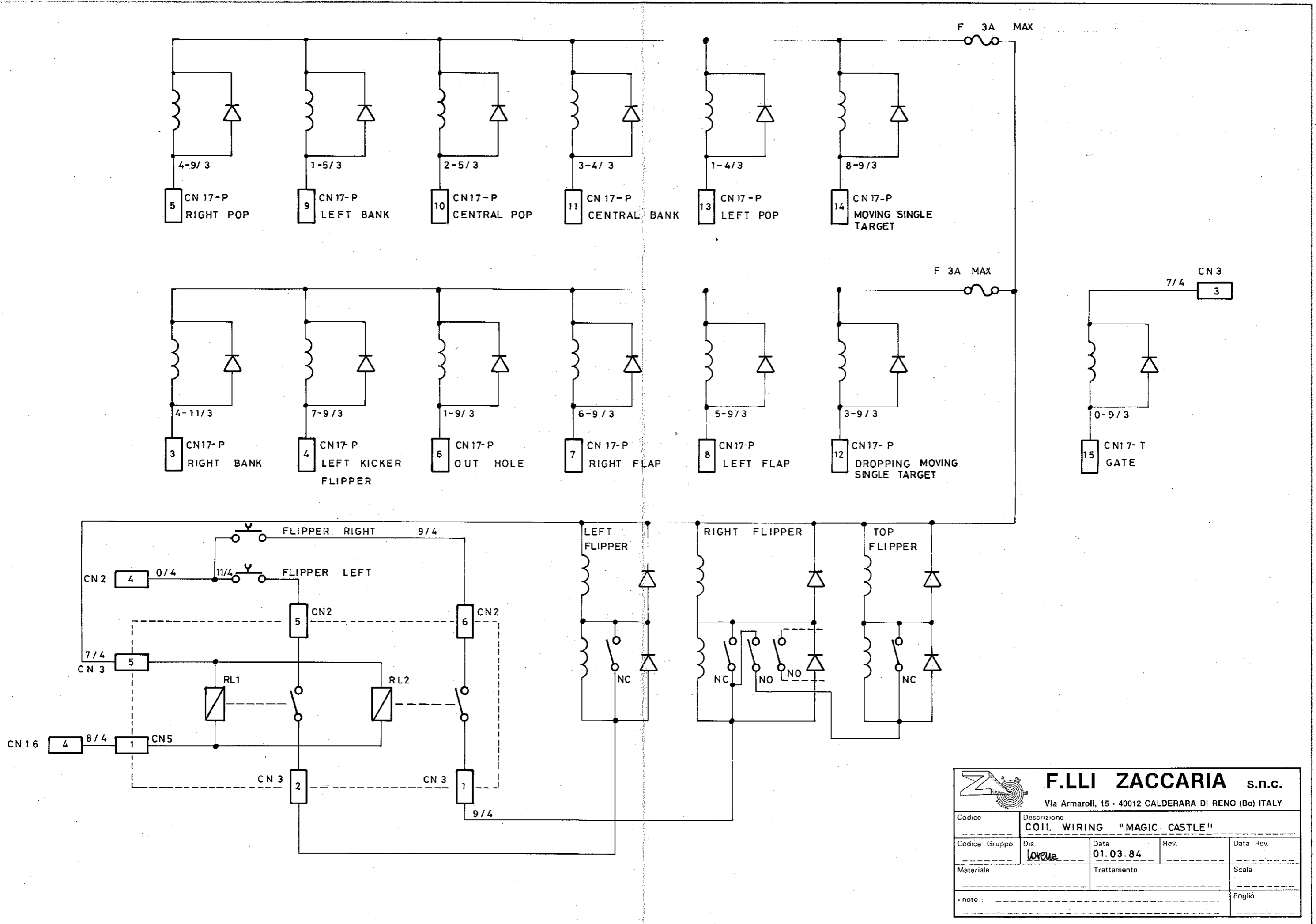
F.LLI ZACCARIA s.n.c.
Via Armaroli, 15 - 40012 CALDERARA DI RENO (Bo) ITALY


Codice 1B13136/0		Descrizione SOUND & SPEECH "MAGIC CASTLE"	
Codice Gruppo	Dis	Data	Rev.
	<i>leone</i>	09.04.84	
Materiale	Trattamento		Scala
note :			Foglio

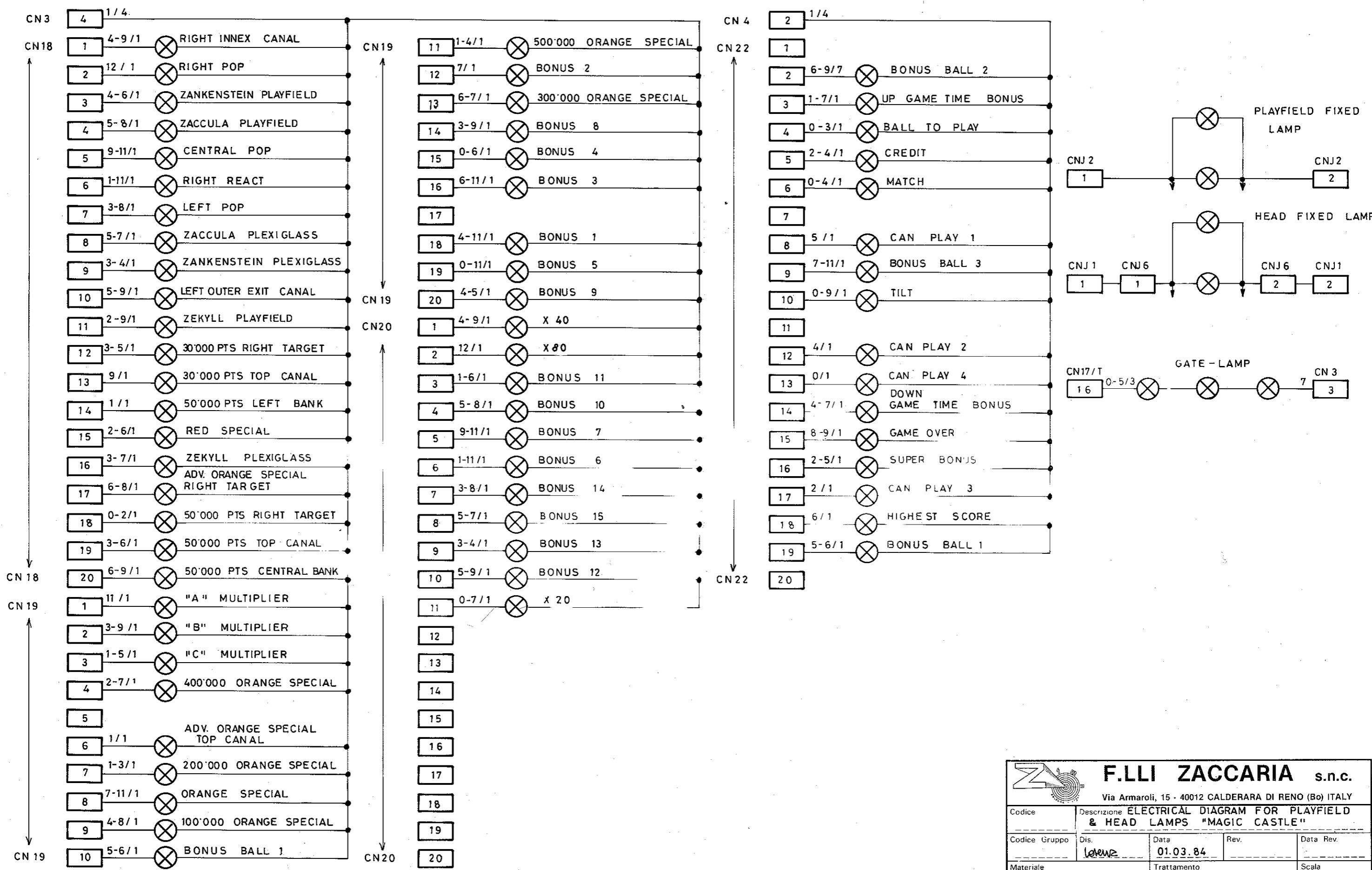


ALL DIODES ARE 1N4148

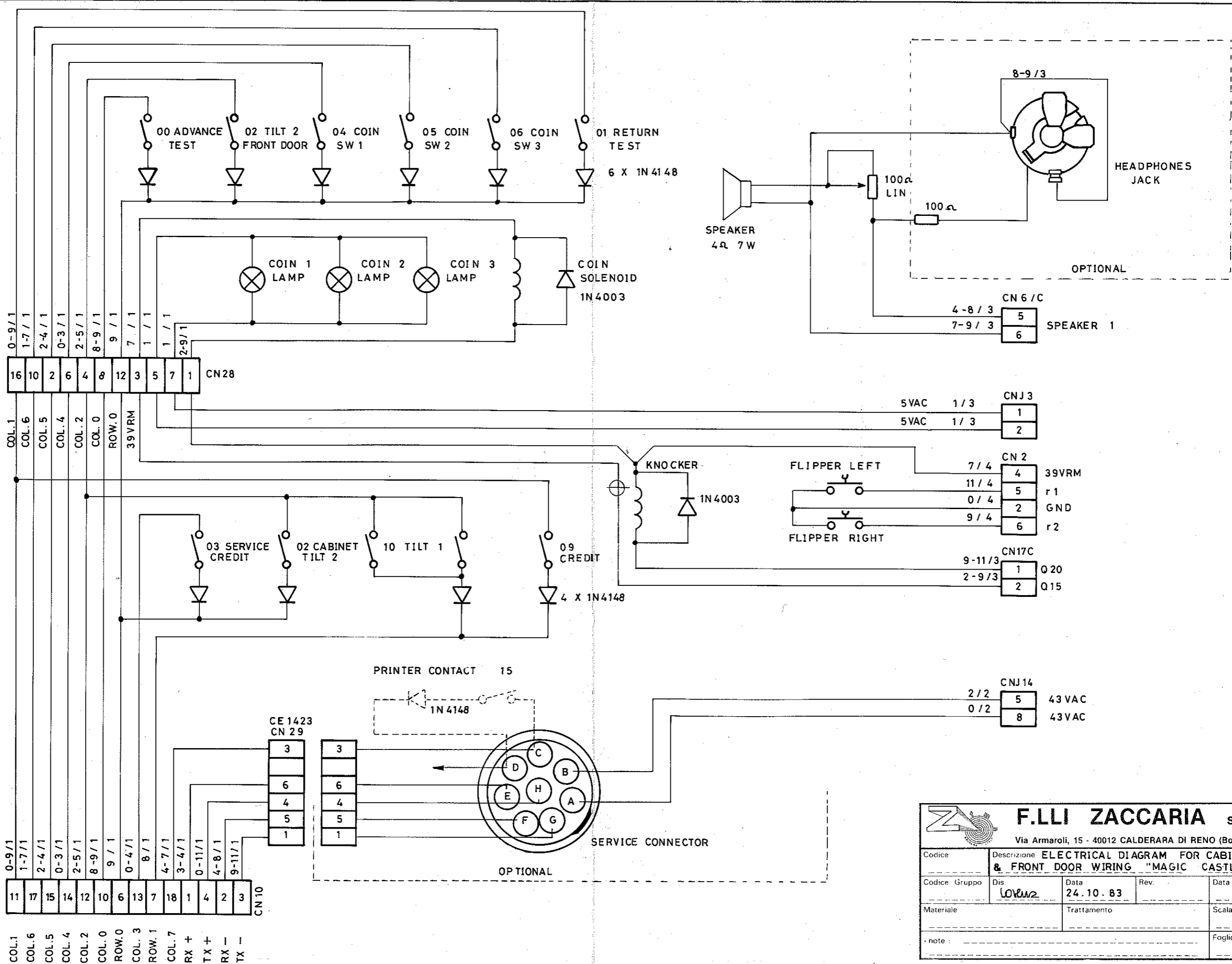
 F.LLI ZACCARIA s.n.c. Via Armaroli, 15 - 40012 CALDERARA DI RENO (Bo) ITALY		Descrizione DIAGRAM FOR PLAYFIELD CONTACTS WIRING "MAGIC CASTLE"		
		Codice		
Codice Gruppo	Dis. <i>LOWE</i>	Data 29.02.84	Rev.	Data Rev.
Materiale	Trattamento		Scala	
note				Foglio



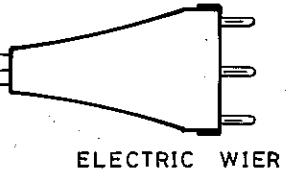
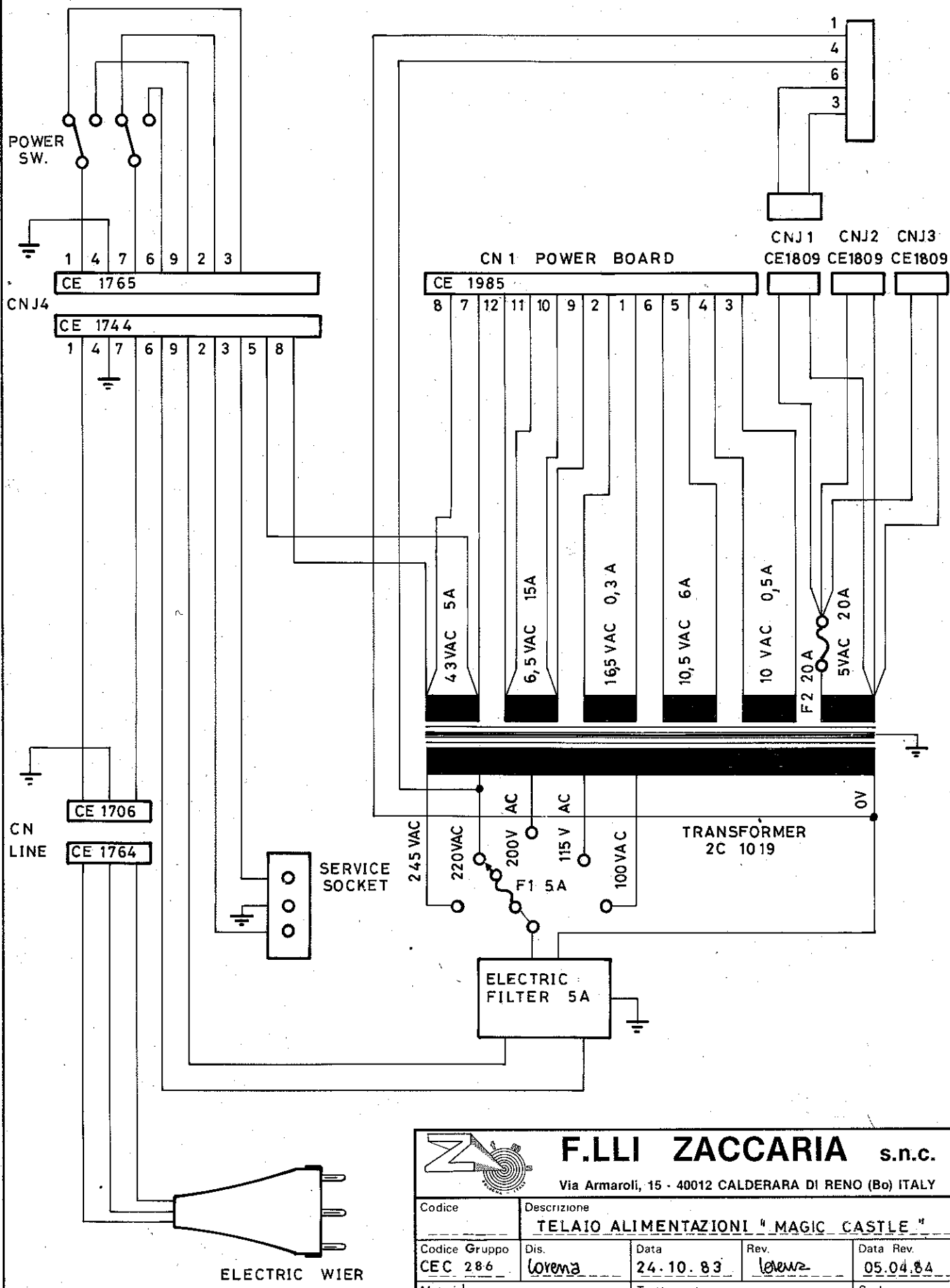
 F.LLI ZACCARIA s.n.c. Via Armaroli, 15 - 40012 CALDERARA DI RENO (Bo) ITALY		Codice		
		Descrizione COIL WIRING "MAGIC CASTLE"		
Codice Gruppo	Dis. <i>LORENA</i>	Data 01.03.84	Rev.	Data Rev.
Materiale		Trattamento		Scala
note :				Foglio




		F.LLI ZACCARIA s.n.c.			
		Via Armaroli, 15 - 40012 CALDERARA DI RENO (Bo) ITALY			
Codice	Descrizione ELECTRICAL DIAGRAM FOR PLAYFIELD & HEAD LAMPS "MAGIC CASTLE"				
Codice Gruppo	Dis.	Data	Rev.	Data Rev.	
	<i>LORENZ</i>	01.03.84			
Materiale		Trattamento		Scala	
note					Foglio



		F.LLI ZACCARIA s.n.c.		
		Via Armaroli, 15 - 40012 CALDERARA DI RENO (Bo) ITALY		
Codice	Descrizione ELECTRICAL DIAGRAM FOR CABINET & FRONT DOOR WIRING "MAGIC CASTLE"			
Codice Gruppo	Dis	Data	Rev.	Data Rev.
	LOVW2	24.10.83		
Materiale	Trattamento		Scala	
note				Foglio



 F.LLI ZACCARIA s.n.c.				
Via Armaroli, 15 - 40012 CALDERARA DI RENO (Bo) ITALY				
Codice	Descrizione			
	TELAIO ALIMENTAZIONI "MAGIC CASTLE"			
Codice Gruppo	Dis.	Data	Rev.	Data Rev.
CEC 286	lorenz	24.10.83	lorenz	05.04.84
Materiale		Trattamento		Scala
• note :				Foglio