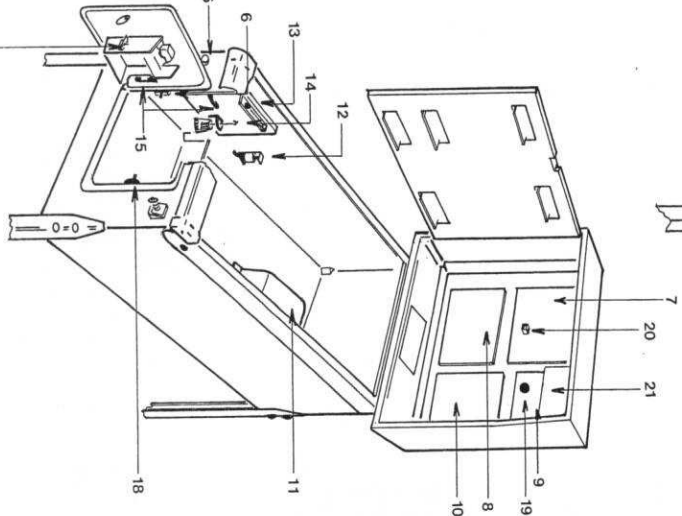
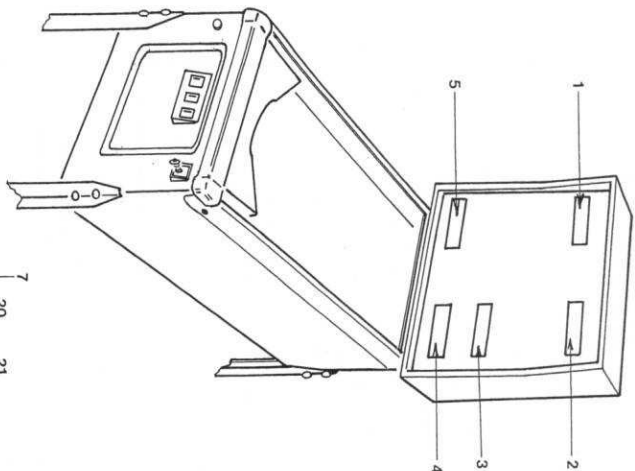
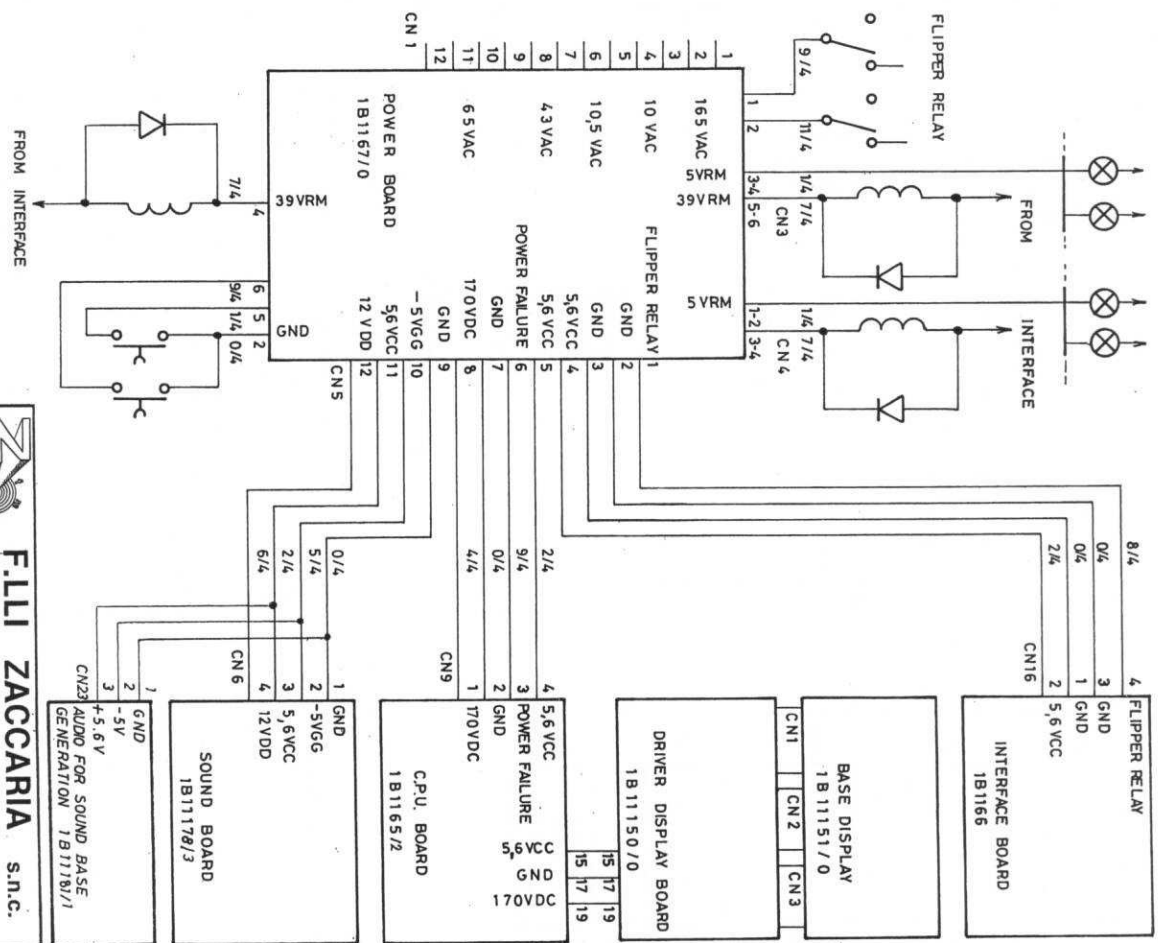


ASSEMBLY DRAWING

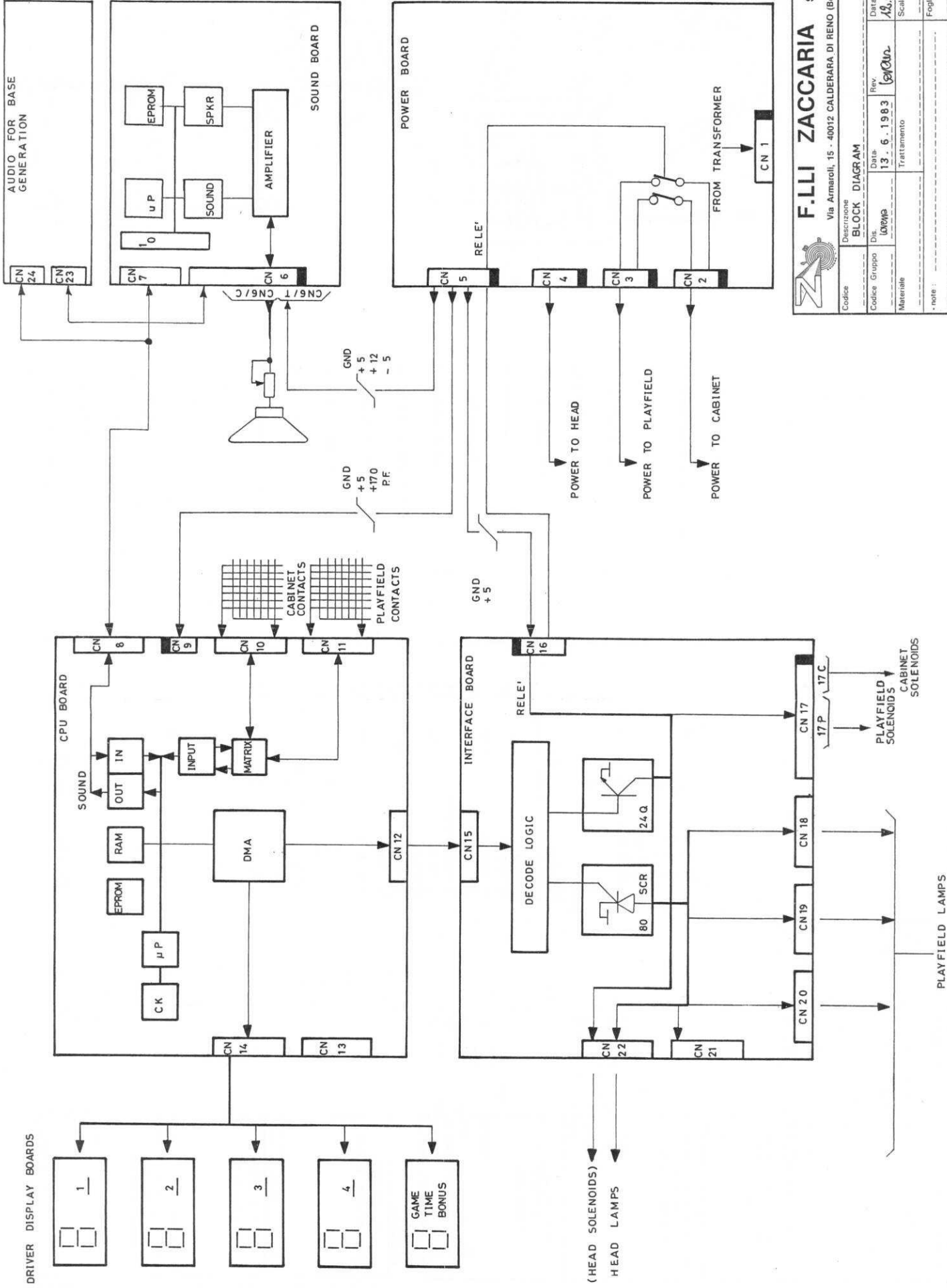


- 1. 1st player display
- 2. 2nd player display
- 3. Credit display
Display ball to play
Match
Game time bonus
Highest score display
- 4. 4th player display
- 5. 3rd player - display
- 6. Service button
- 7. C.P.U. board
- 8. Interface board
- 9. Sound board
- 10. Power board
- 11. Transformer
- 12. Knocker
- 13. Roll ball tilt
- 14. Bob tilt
- 15. Antichoc tilt
- 16. Credit button
- 17. Advance & return test
- 18. General vol.
- 19. Maximum sound vol.
- 20. Dip switch
- 21. Audio for base generation



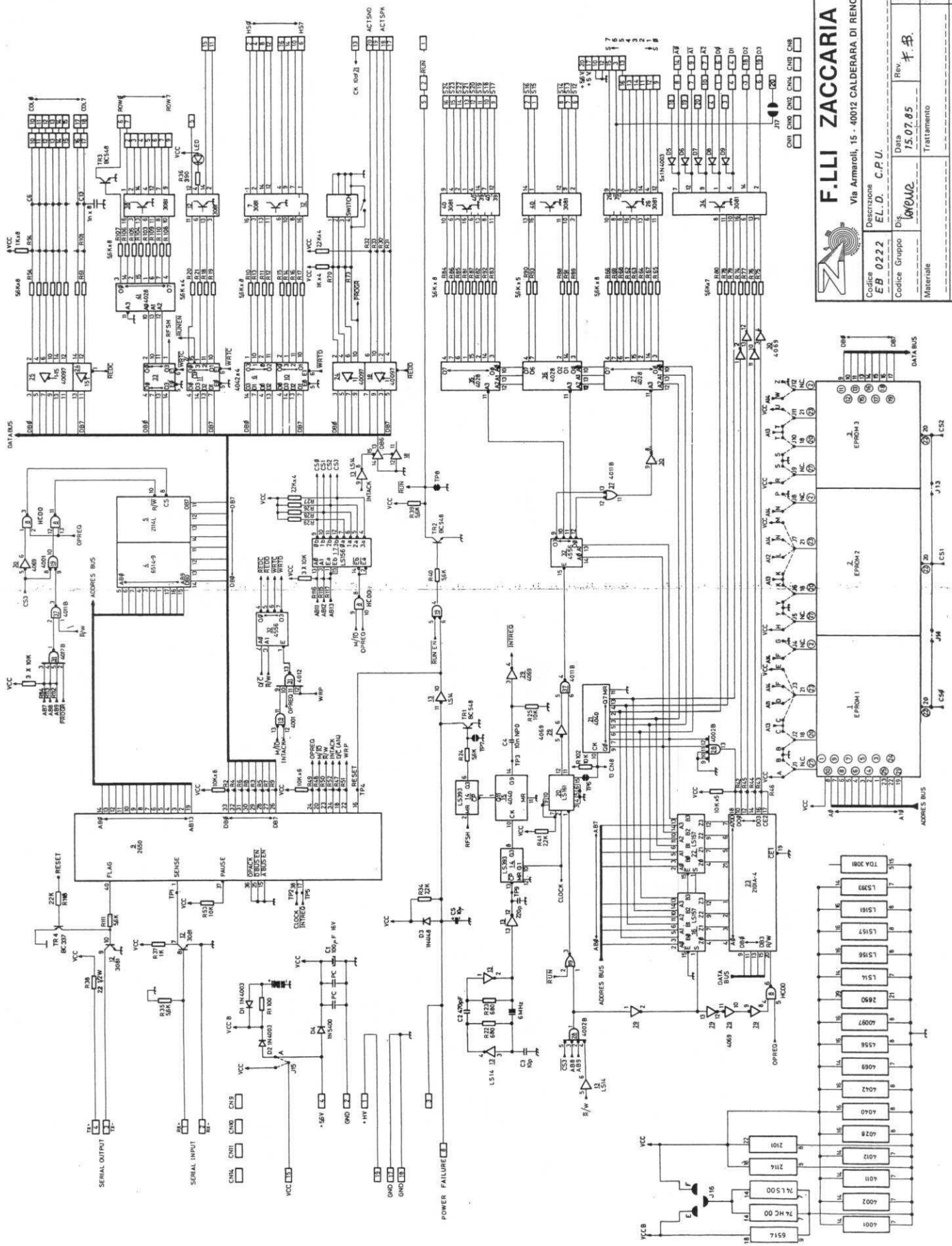
F.LLI ZACCARIA S.N.C.
Via Armanioli, 15 - 40012 CALDERARA DI RENO (BO) ITALY

Codice		Descrizione	
ELECTRICAL DIAGRAM POWER			
Codice gruppo	Dis.	Data	Data Rev.
101014		22.12.86	
Materiale		Scala	
Trattamento		Edificio	



F.LLI ZACCARIA s.n.c.
 Via Armaroli, 15 - 40012 CALDERARA DI RENO (Bo) ITALY

Descrizione: **BLOCK DIAGRAM**
 Data Rev: 13.01.87
 Dis: **LOWMP** Rev: 6.1983
 Materiale: **LOWMP** Trattamento: **LOWMP** Scala: **LOWMP**
 Codice Gruppo: **LOWMP** Foglio: **LOWMP**
 note: _____



F.LLI ZACCARIA s.n.c.
 Via Armeroli, 15 - 40012 CALDERARA DI RENO (BO) ITALY

Descrizione: **E.L.D. C.P.U.**

Codice: **EB 0222**

Codice Gruppo: **WPCAU2**

Data Rev.: **2.9.07.85**

Rev.: **15.07.85**

Dis.: **Rev. #**

Materiale: **Treatmento**

Scala: **1:1**

Foglio: **1**

note: **PRINTED - CIRCUIT - 1816572**

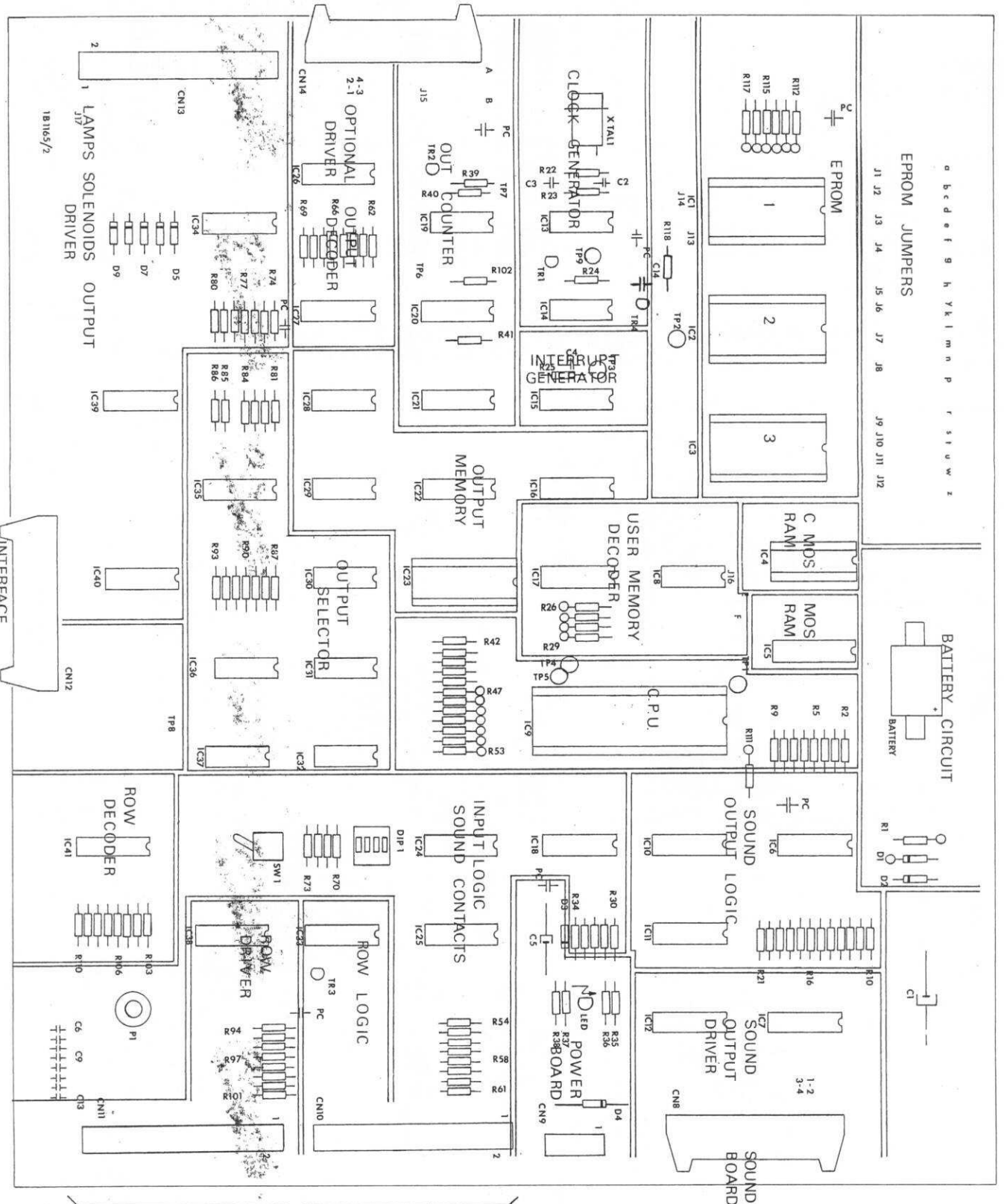
C.P.U. board

P.C.I.B 1165/2

a b c d e f g h y k l m n p r s t u v w z
EPROM JUMPERS
J1 J2 J3 J4 J5 J6 J7 J8 J9 J10 J11 J12

BATTERY CIRCUIT
BATTERY

1



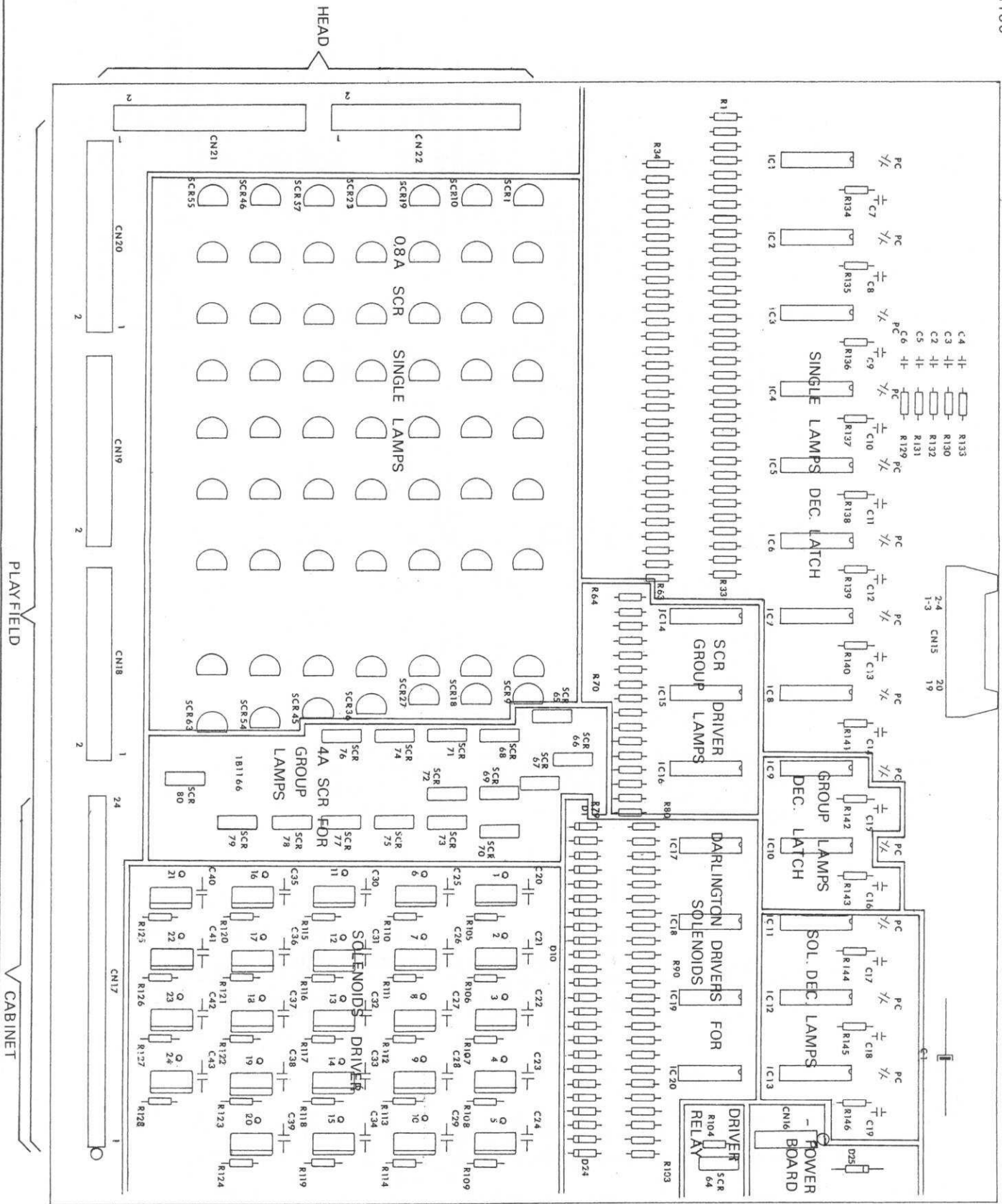
DISPLAY BOARD

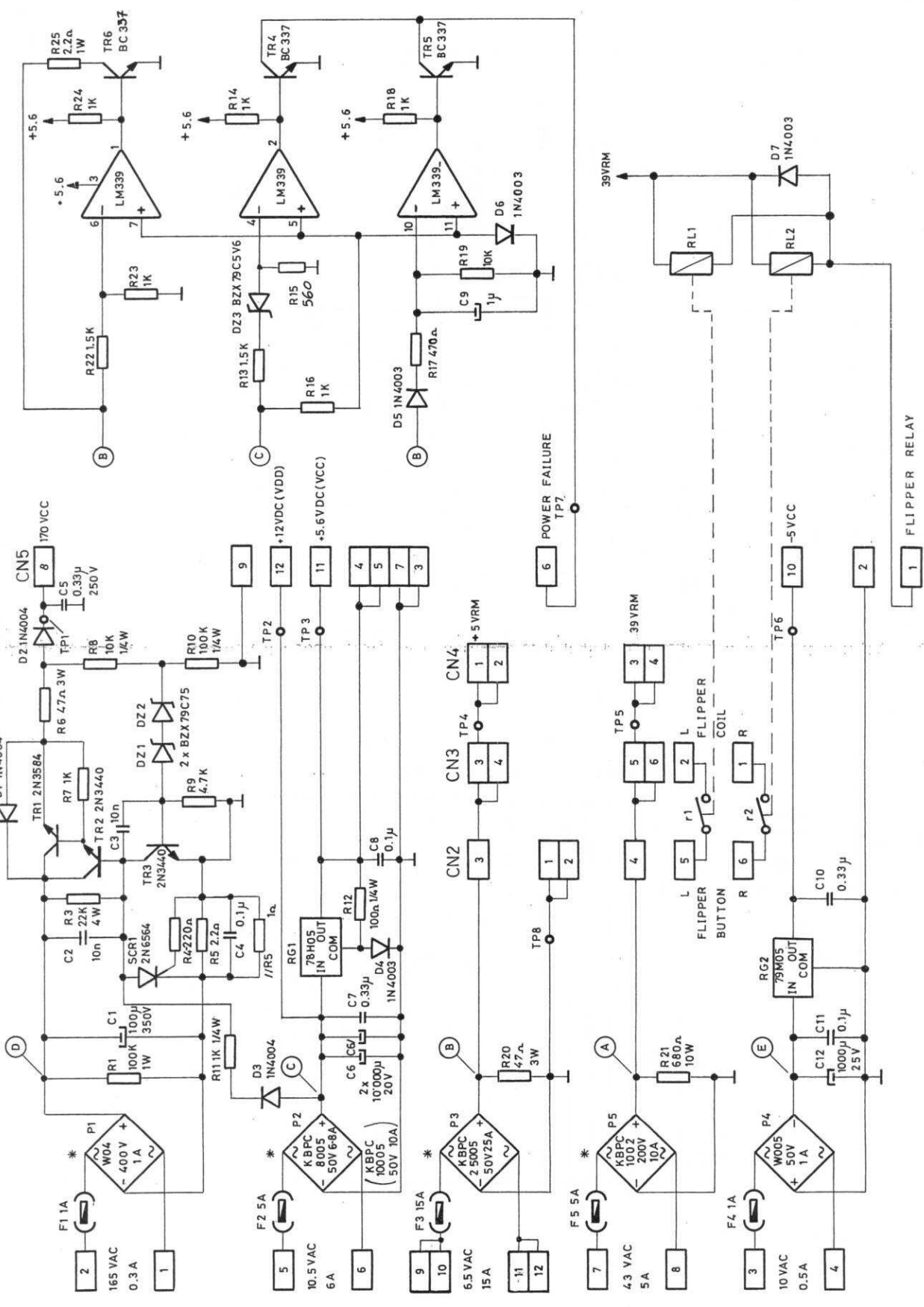
LAMPS SOLENOIDS OUTPUT DRIVER

INTERFACE BOARD

CONTACTS

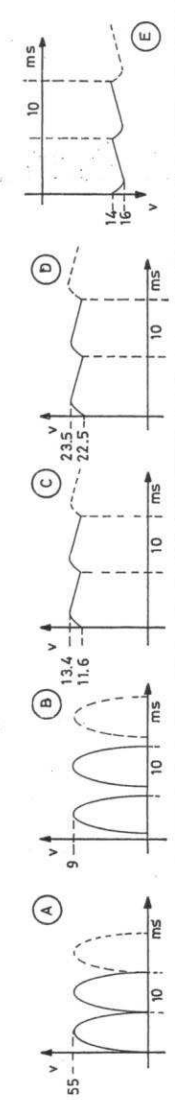
INTERFACE board





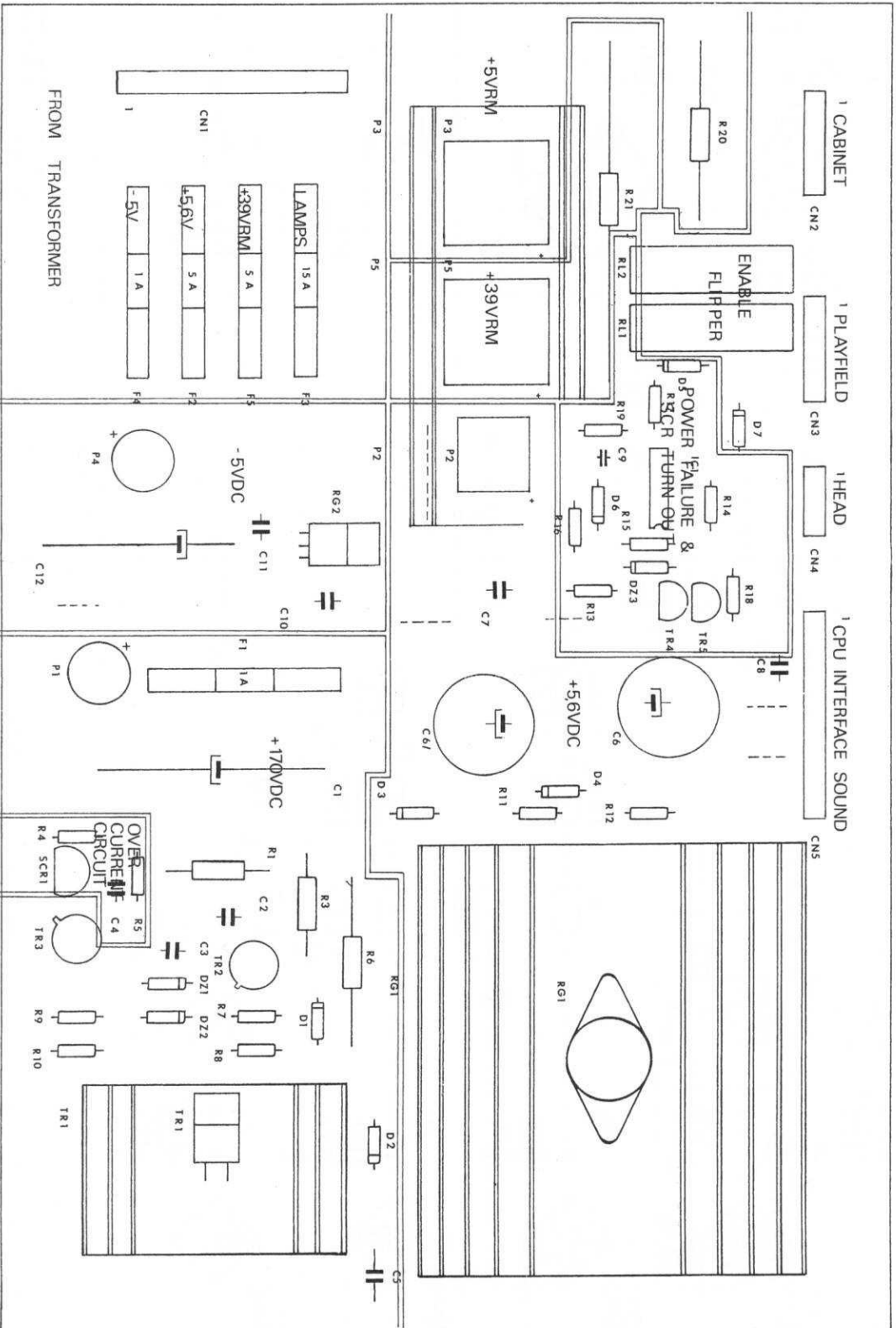
F.LI ZACCARIA s.n.c. Via Ammiraglio, 16 - 40012 CALDERARA DI RENZO (Bo) Italy	
PART NAME	Electrical diagram for
PART NO.	POWER BOARD
OWN	REV. 26/7/82
DATE	REV. DATE
26/7/82	16/04/84
SHEET	
NOTES: UNLESS OTHERWISE SPECIFIED	
1) ALL RESISTORS VALUES IN	
2) ALL CAPACITORS VALUES IN	

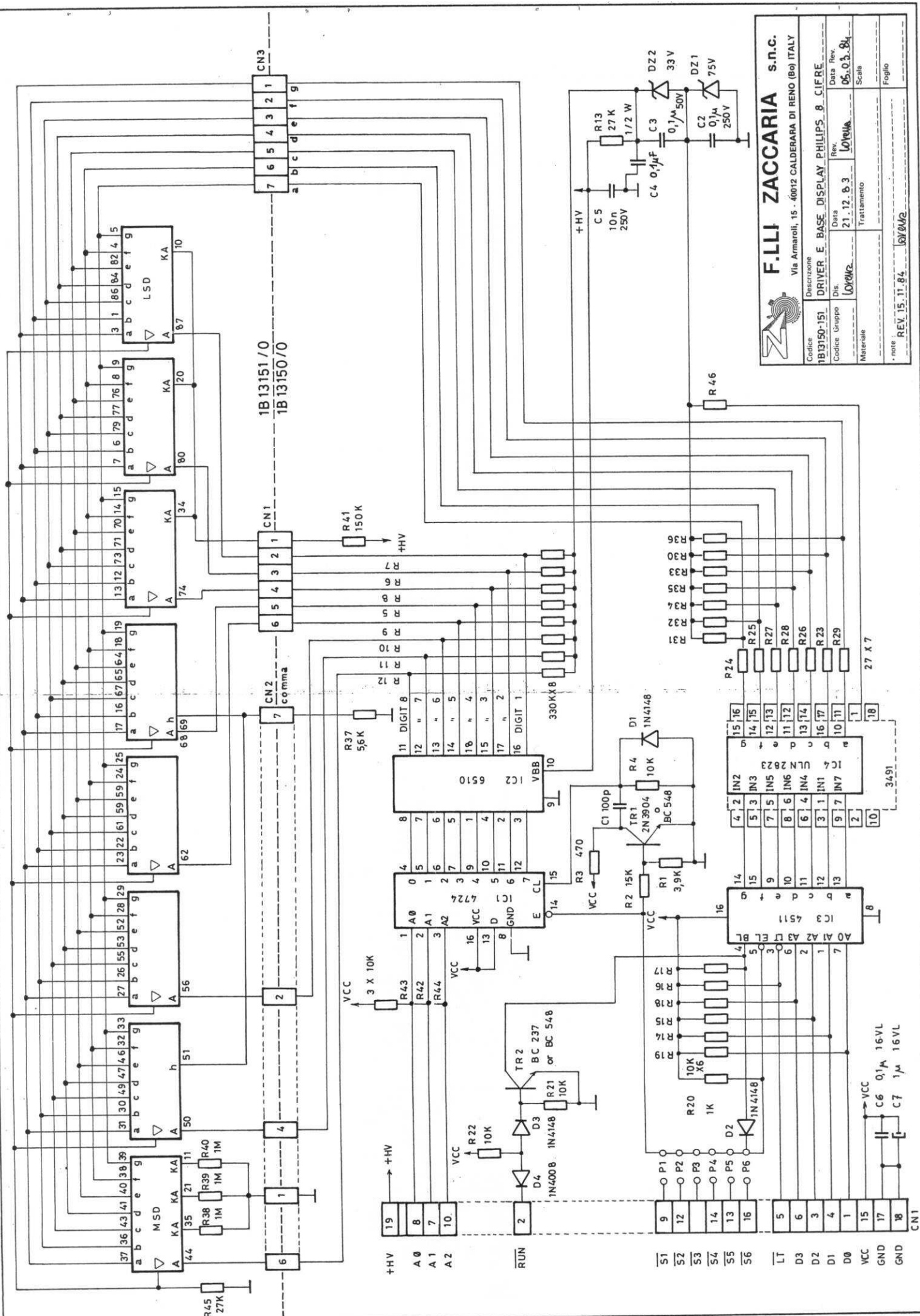
* WITH HEAT SINK



POWER board

PC. 1B1167/0



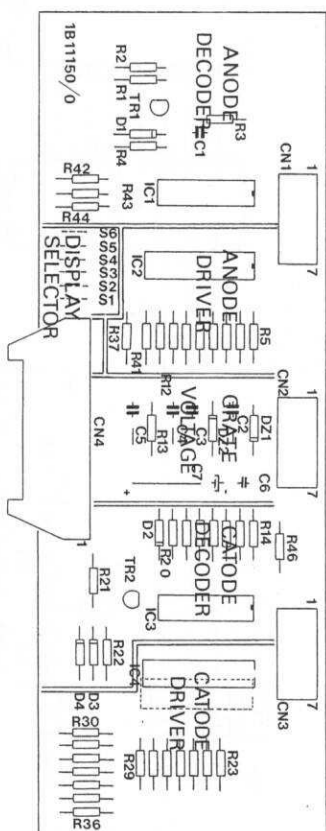
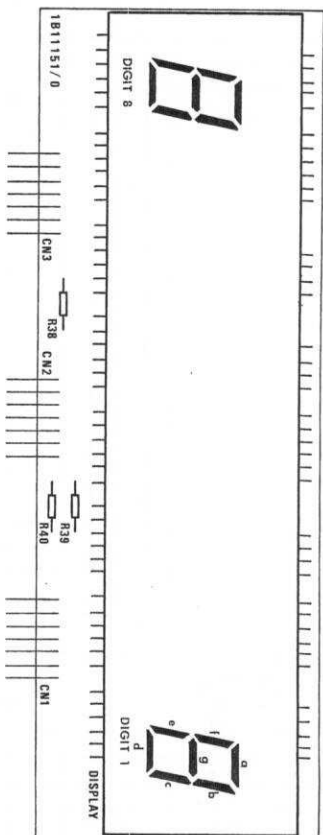


F.LLI ZACCARIA S.n.c.
 Via Armaroli, 15 - 40012 CALDERARA DI RENO (Bo) ITALY

Codice	Descrizione	Data Rev.
1B13150-151	DRIVER E BASE DISPLAY PHILIPS 8 CIFRE	
Codice Gruppo	Dis.	Rev.
LDV02	LDV02	06.03.84
Materiale	Trattamento	Scala
* note REV. 15.11.84. 10V/0V2		
Foglio		

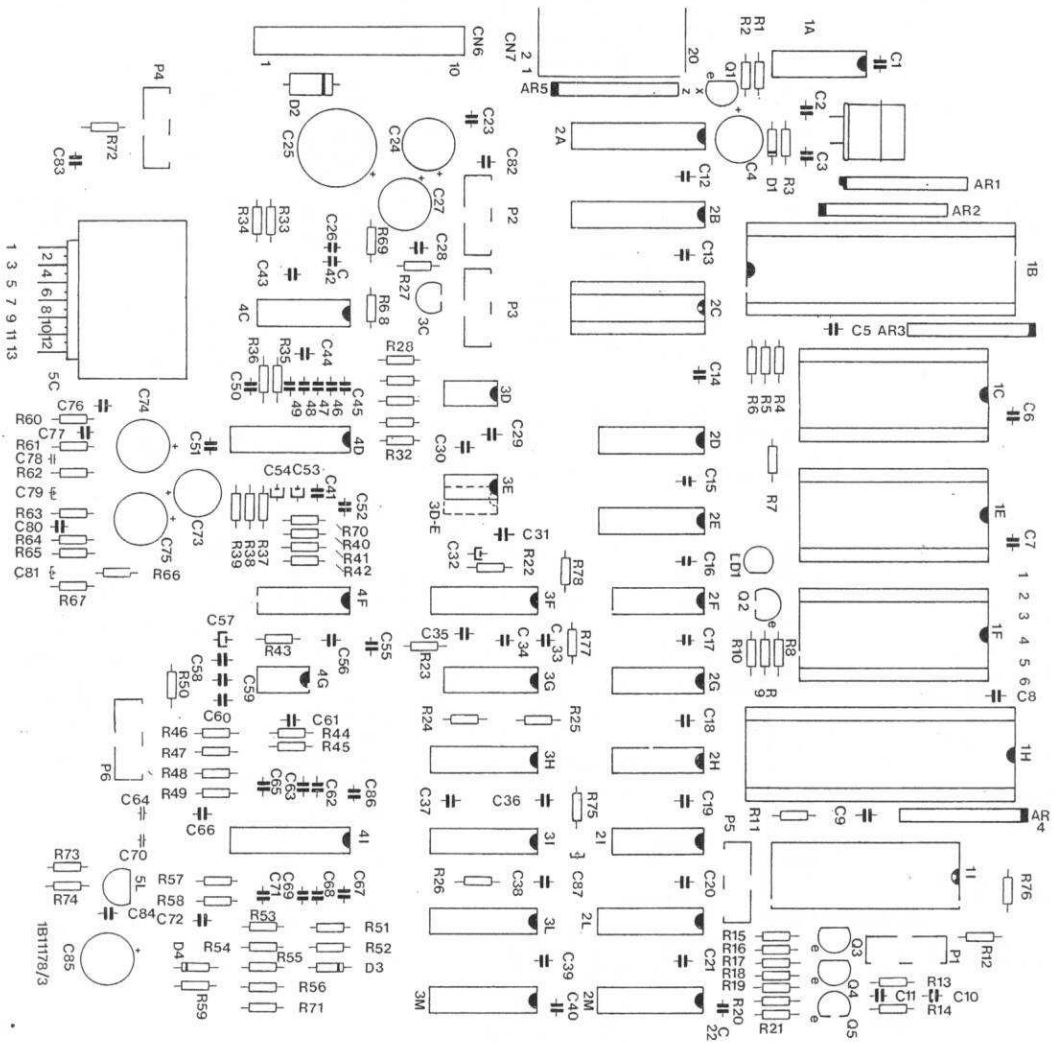
BASE & DRIVER DISPLAY board

P.C. 1B11150/0 - 1B11151/0

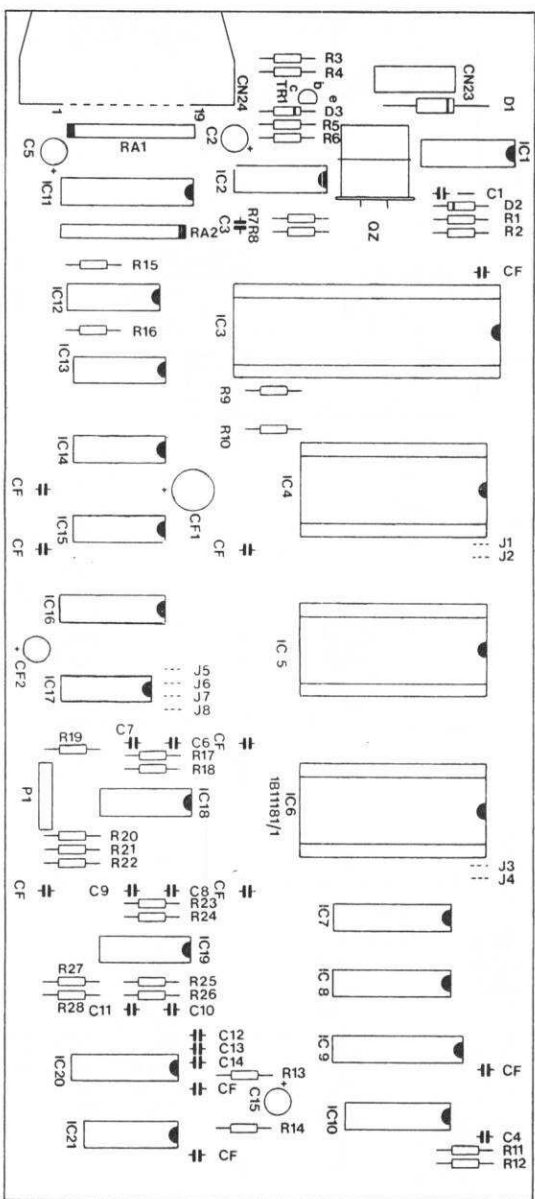


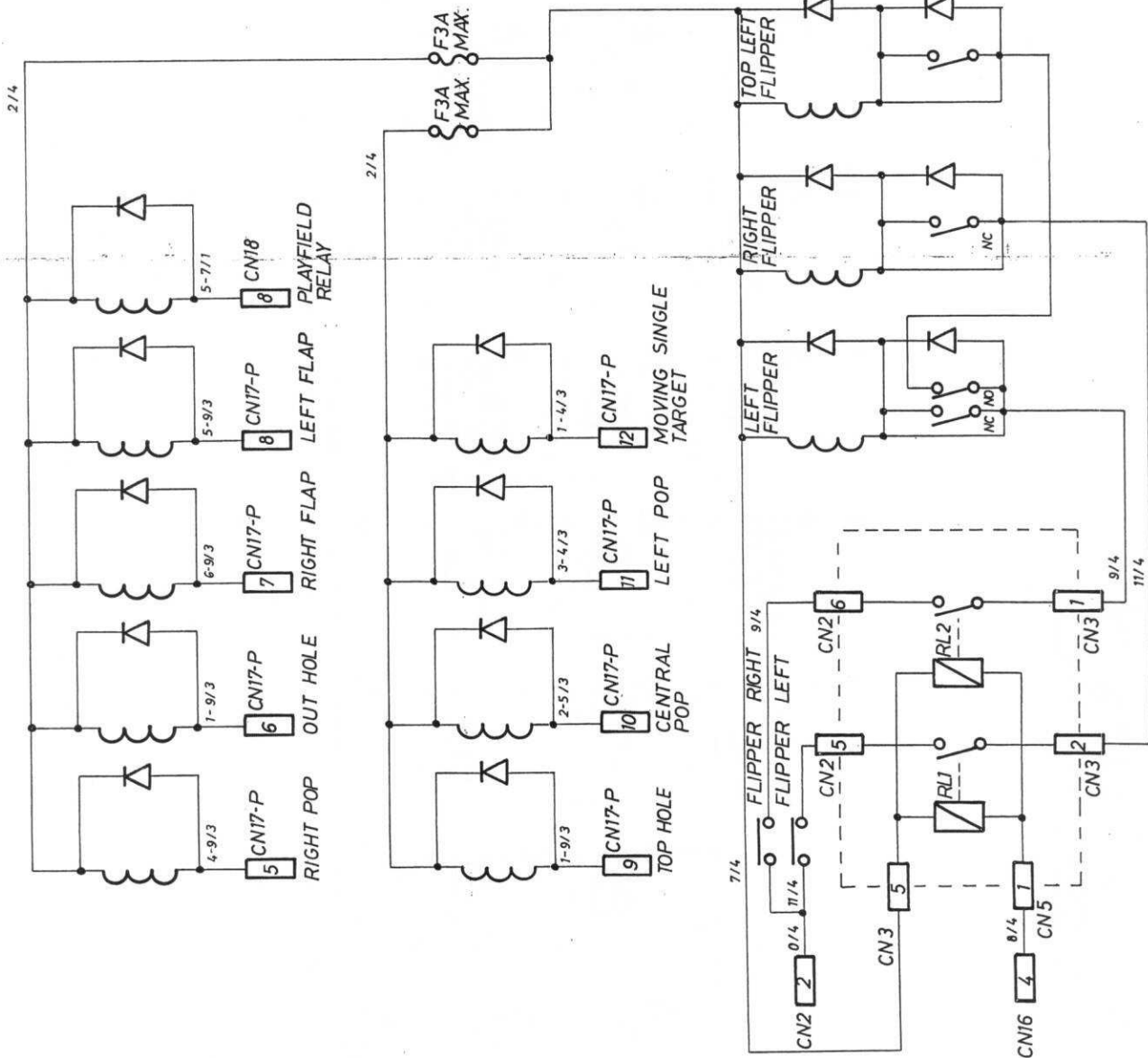
SOUND & SPEECH board

P.C.1B11178/3

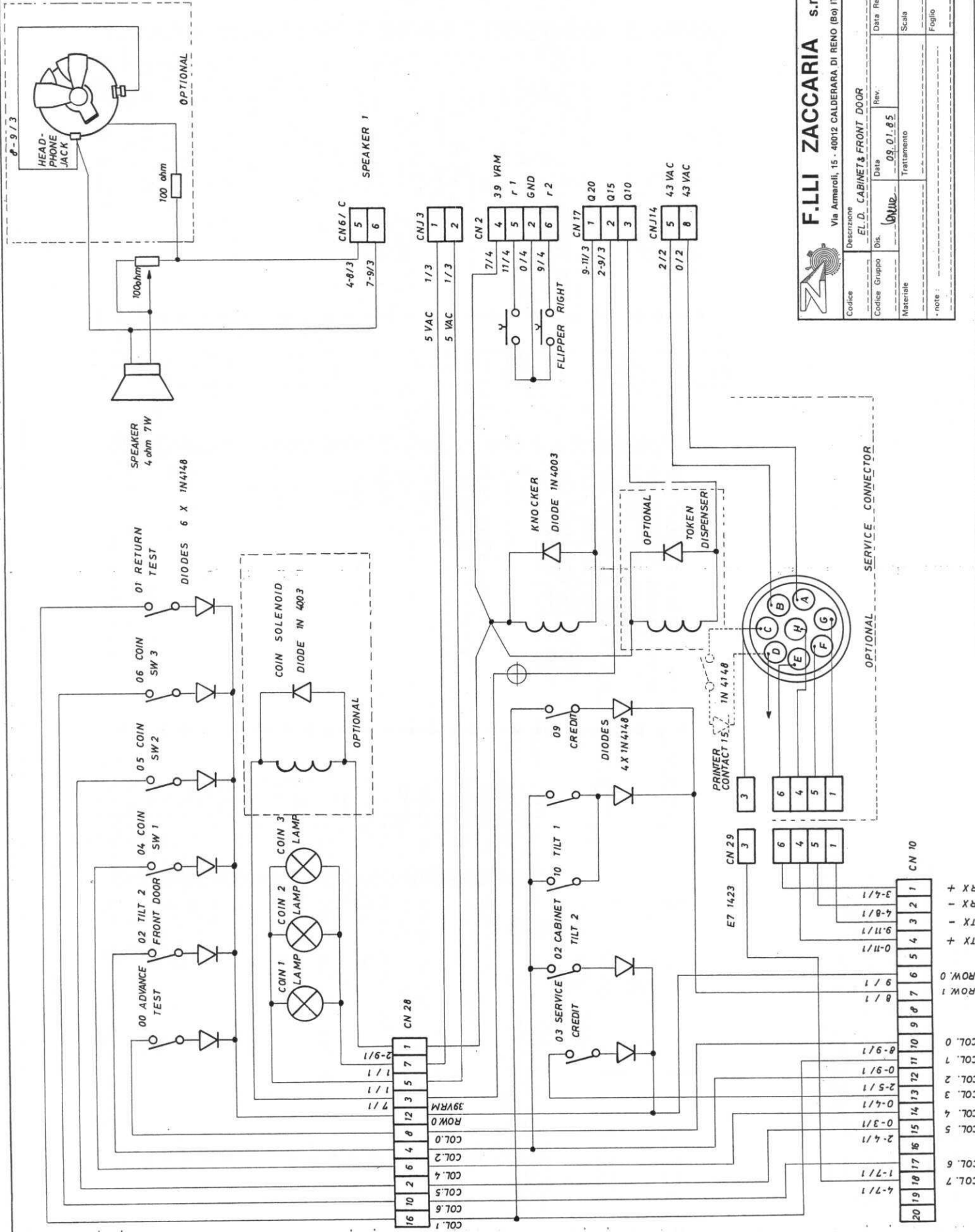


AUDIO FOR SOUND BASE GENERATION board
PC. 1B11181/1



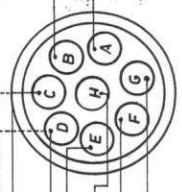


F.LLI ZACCARIA S.n.c.		Via Amerroli, 15 - 40012 CALDERARA DI RENO (Bo) ITALY	
Descrizione	COIL WIRING	SPOOKY	Rev.
Code	Dis.	2, 2, 8, 6	Date Rev.
Code Gruppo	Dis.	10842	Trattamento
Materiali			
note			
			Scala
			Foglio



F.LLI ZACCARIA S.n.c.
 Via Ammoroli, 15 - 40012 CALDERARA DI RENO (Bo) ITALY

Descrizione	EL. D. CABINET & FRONT DOOR		Data Rev.
Codice Gruppo	Dis.	Rev.	
	09UD	09.01.85	
Materiale	Trattamento		Scala
			Foglio
* note :			



OPTIONAL SERVICE CONNECTOR

COL. 7	4-7/1	ROW. 1	8/1
COL. 6	1-7/1	ROW. 0	9/1
COL. 5	2-4/1	TX +	0-1/1
COL. 4	0-4/1	TX -	9-11/1
COL. 3	2-5/1	TX +	9-11/1
COL. 2	0-9/1	TX -	4-8/1
COL. 1	0-9/1	RX -	4-8/1
COL. 0	8-9/1	RX +	3-4/1

Jump list for memories selection

	<p>CPU 1B1165/2</p> <p>CLOWN</p>		<p>SOUND 1B11178/0</p> <p>CLOWN</p>	<p>AUDIO FOR BASE GENERATION 1B11181/0</p> <p>ZANKOR</p>
	<p>CPU 1B1165/2</p> <p>POOL CHAMPION</p>		<p>SOUND 1B11178/2</p> <p>POOL CHAMPION BLACK BELT MEXICO 86</p>	<p>AUDIO FOR BASE GENERATION 1B11181/1</p> <p>SPOOKY</p>
	<p>CPU 1B1165/2</p> <p>BLACK BELT MEXICO 86 ZANKOR SPOOKY</p>		<p>SOUND 1B11178/3</p> <p>ZANKOR SPOOKY</p>	

